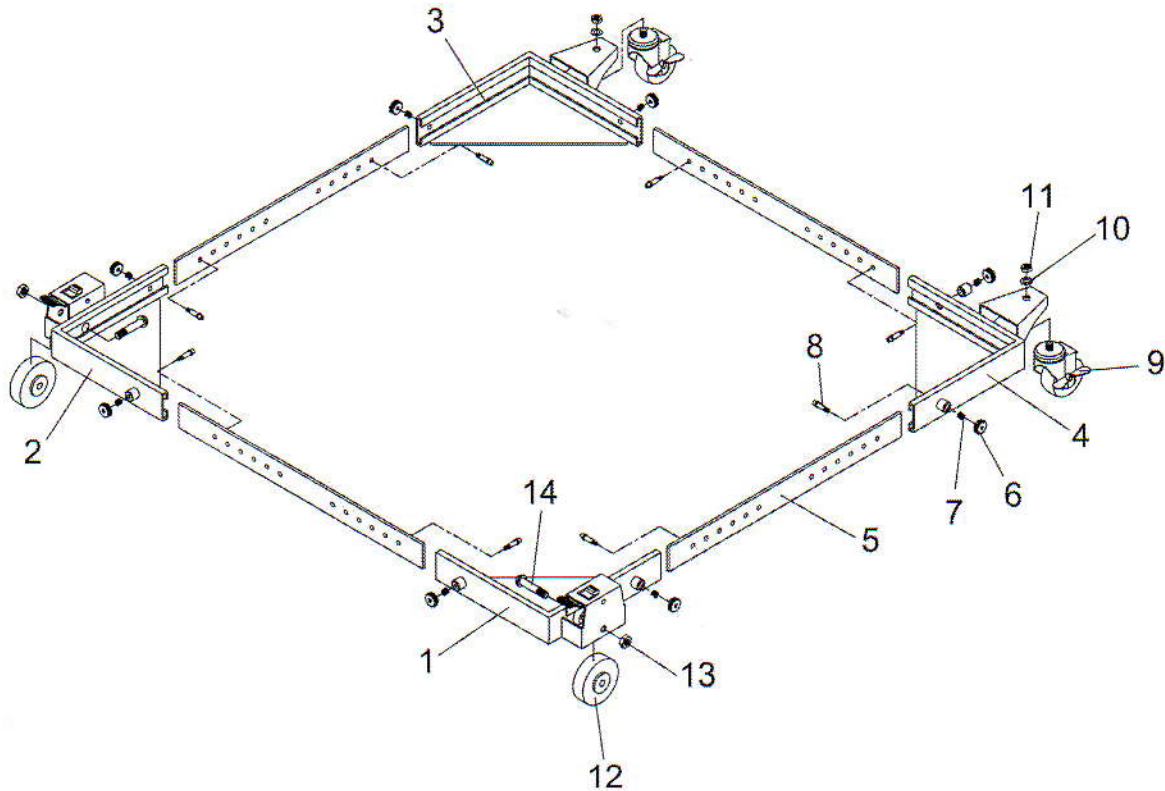




# Model JMB-UMB Universal Mobile Base

Stock No. 708118



Ind	Part No	Description	Qty
1	JMBUMB-01	Fixed Castor Bracket (R)	1
2	JMBUMB-02	Fixed Castor Bracket (L)	1
3	JMBUMB-03	Swivel Castor Bracket (L)	1
4	JMBUMB-04	Swivel Castor Bracket (R)	1
5	JMBUMB-05	Side Adjusting Plate	4
6	JMBUMB-06	Knob	8
7	JMBUMB-07	Spring	8
8	JMBUMB-08	Index Pin	8
9	JMBUMB-09	Swivel Castor	2
10	TS-0720091	Lock Washer (3/8")	2
11	TS-0570031	Hex Nut (3/8"-16UNC)	2
12	JMBUMB-12	Fixed Wheel	2
13	TS-0640091	Lock Nut (3/8"-16UNC)	2
14	JMBUMB-14	Bolt (Special) (3/8"x2-3/16")	2

**WARNING** All mobile base castors should be locked unless the machine is being moved. Do not move the mobile base while the machine has power, or is plugged in. All four mobile base castors should always be locked while the machine is being used.

1. Pull out the spring-loaded knob (#6) and slide the side adjusting plate (#5) into the castor bracket assembly (#4).
2. Locate spring-loaded pin into one of the indexing holes found in the side adjusting plate.
3. Position the machine so that it rests evenly on the corner brackets.
4. Lock four castors by stepping on the brake pedals. Unlock by flipping the pedal up with your foot.

To order parts, call our service department at 800-274-6848 Monday through Friday (see our website for business hours – www.waltermeier.com). Having the Model Number and Stock Number will allow us to serve you quickly and accurately

**WALTER MEIER (Manufacturing) Inc.**  
427 New Sanford Road  
LaVergne, Tennessee 37086  
Ph.: 800-274-6848  
www.waltermeier.com

**Part No. M-708118**  
Revision B1 05/2010  
Copyright © 2010 Walter Meier (Manufacturing) Inc.