

JET

JWL-1015
JWL-1015VS

WOOD LATHE

Original:

GB
Operating Instructions

Translations:

D
Gebrauchsanleitung

F
Mode d'emploi



JPW (Tool) AG

Tämplerlistrasse 5
CH-8117 Fällanden
Switzerland

Phone +41 44 806 47 48

Fax +41 44 806 47 58

www.jettools.com

M-719100M, 719110M

2017-01



CE-Conformity Declaration
CE-Konformitätserklärung
Déclaration de Conformité CE

Product / Produkt / Produit:

Wood Lathe / Drechselbank / Tour a bois

JWL-1015 / JWL-1015VS

Brand / Marke / Marque:

JET

Manufacturer / Hersteller / Fabricant:

JPW (Tool) AG, Tämperlistrasse 5, CH-8117 Fällanden
Switzerland / Schweiz / Suisse

We hereby declare that this product complies with the regulations
Wir erklären hiermit, dass dieses Produkt der folgenden Richtlinie entspricht
Par la présente, nous déclarons que ce produit correspond aux directives suivantes

2006/42/EC

Machinery Directive / Maschinenrichtlinie / Directive Machines

2014/30/EU

electromagnetic compatibility / elektromagnetische Verträglichkeit / compatibilité électromagnétique

designed in consideration of the standards
und entsprechend folgender zusätzlicher Normen entwickelt wurde
et été développé dans le respect des normes complémentaires suivantes

EN ISO 12100:2010

EN 60204-1:2006+A1:2009

EN 61000-3-2:2014

EN 61000-3-3:2013

EN 55014-1:2006+A1:2009+A2:2011

EN 55014-2:1997+A1:2001+A2:2008

Responsible for the Documentation / Dokumentations-Verantwortung / Responsabilité de Documentation:

Hansjörg Meier

Head Product-Mgmt. / Leiter Produkt-Mgmt. / Resp. Gestion des Produits
JPW (Tool) AG



2017-01-16 Alain Schmid, General Manager
JPW (Tool) AG, Tämperlistrasse 5, CH-8117 Fällanden
Switzerland / Schweiz / Suisse

GB - ENGLISH

Operating Instructions

Dear Customer,

Many thanks for the confidence you have shown in us with the purchase of your new JET-machine. This manual has been prepared for the owner and operators of a JET **JWL-1015, JWL-1015VS wood lathe** to promote safety during installation, operation and maintenance procedures. Please read and understand the information contained in these operating instructions and the accompanying documents. To obtain maximum life and efficiency from your machine, and to use the machine safely, read this manual thoroughly and follow instructions carefully.

...Table of Contents

1. Declaration of conformity

2. Warranty

3. Safety

Authorized use

General safety notes

Remaining hazards

4. Machine specifications

Machine description

Technical data

Noise emission

Contents of delivery

5. Transport and start up

Transport and installation

Assembly

Mains connection

Dust collection

Starting operation

6. Machine operation

Correct operating position

Tool selection

Speed selection

Turning between centres

Bowl turning

Sanding and Finishing

7. Setup and adjustments

Changing speed range

Installing work holding

Adjusting tool rest

Adjusting tailstock

Spindle index

8. Maintenance and inspection

Adjusting bed clamping

Inspecting motor brushes

Changing belt

9. Trouble shooting

10. Environmental protection

11. Available accessories

1. Declaration of conformity

On our own responsibility we hereby declare that this product complies with the regulations* listed on page 2. Designed in consideration with the standards**.

2. Warranty

The Seller guarantees that the supplied product is free from material defects and manufacturing faults. This warranty does not cover any defects which are caused, either directly or indirectly, by incorrect use, carelessness, accidental damage, repair, inadequate maintenance or cleaning and normal wear and tear.

Guarantee and/or warranty claims must be made within twelve months from the date of purchase (date of invoice). Any further claims shall be excluded.

This warranty includes all guarantee obligations of the Seller and replaces all previous declarations and agreements concerning warranties.

The warranty period is valid for eight hours of daily use. If this is exceeded, the warranty period shall be reduced in proportion to the excess use, but to no less than three months.

Returning rejected goods requires the prior express consent of the Seller and is at the Buyer's risk and expense.

Further warranty details can be found in the General Terms and Conditions (GTC). The GTC can be viewed at www.jettools.com or can be sent by post upon request.

The Seller reserves the right to make changes to the product and accessories at any time.

3. Safety

3.1 Authorized use

This spindle sander is designed for sanding wood and similar materials only. Sanding of other materials is not permitted and may be carried out in specific cases only after consulting with the manufacturer.

The machine is not suitable for wet sanding.

The proper use also includes compliance with the operating and maintenance instructions given in this manual.

The machine must be operated only by persons familiar with its operation and maintenance and who are familiar with its hazards.

The required minimum age must be observed.

The machine must only be used in a technically perfect condition.

When working on the machine, all safety mechanisms and covers must be mounted.

In addition to the safety requirements contained in these operating instructions and your country's applicable regulations, you should observe the generally recognized technical rules concerning the operation of woodworking machines.

Any other use exceeds authorization.
In the event of unauthorized use of the machine, the manufacturer renounces all liability and the responsibility is transferred exclusively to the operator.

3.2 General safety notes

Woodworking machines can be dangerous if not used properly. Therefore the appropriate general technical rules as well as the following notes must be observed.



Read and understand the entire instruction manual before attempting assembly or operation.



Keep this operating instruction close by the machine, protected from dirt and humidity, and pass it over to the new owner if you part with the tool.

No changes to the machine may be made.

Daily inspect the function and existence of the safety appliances before you start the machine.
Do not attempt operation in this case, protect the machine by unplugging the power cord.

Before operating the machine, remove tie, rings, watches, other jewellery, and roll up sleeves above the elbows.
Remove all loose clothing and confine long hair.

Wear safety shoes; never wear leisure shoes or sandals.

Always wear the approved working outfit:

- safety goggles
- ear protection
- dust protection



Do not wear gloves while operating this machine.



Install the machine so that there is sufficient space for safe operation and workpiece handling.

Keep work area well lighted.

The machine is designed to operate in closed rooms and must be bolted stable on firm and levelled table surface or on the supplied cabinet stand.

Make sure that the power cord does not impede work and cause people to trip.
Keep the floor around the machine clean and free of scrap material, oil and grease.

Stay alert!
Give your work undivided attention.

Use common sense. Do not operate the machine when you are tired.

Keep an ergonomic body position.
Maintain a balanced stance at all times.

Do not operate the machine under the influence of drugs, alcohol or any medication. Be aware that medication can change your behaviour.



Never reach into the machine while it is operating or running down.



Keep children and visitors a safe distance from the work area.

Never leave a running machine unattended. Before you leave the workplace switch off the machine.

Do not operate the electric tool near inflammable liquids or gases.
Observe the fire fighting and fire alert options, for example the fire extinguisher operation and place.

Do not use the machine in a damp environment and do not expose it to rain.

Before machining, remove any nails and other foreign bodies from the workpiece.

Work only with well sharpened tools.

Machine only stock which rests securely on the table.

Always close the chuck cover before you start the machine.

Specifications regarding the maximum or minimum size of the workpiece must be observed.

Do not remove chips and workpiece parts until the machine is at a standstill.

Do not stand on the machine.

Connection and repair work on the electrical installation may be carried out by a qualified electrician only.



Have a damaged or worn power cord replaced immediately.

Make all machine adjustments or maintenance with the machine unplugged from the power source.



3.3 Remaining hazards

When using the machine according to regulations some remaining hazards may still exist.

The rotating workpiece can cause injury.

Workpieces that are inhomogeneous or weak can explode when being processed due to centrifugal force.

Only process selected woods without defects.

Unbalanced workpieces can be hazardous.

Injuries can occur when feeding tooling, if tool supports are not correctly adjusted or if turning tools are blunt.

Risk of kickback. The tooling is caught by the rotating workpiece and thrown back to the operator.

Thrown workpieces and workpiece parts can lead to injury.

Dust and noise can be health hazards. Be sure to wear personal protection gear such as safety goggles and dust mask. Use a suitable dust collection system. Work in a well-ventilated area.

The use of incorrect mains supply or a damaged power cord can lead to injuries caused by electricity.

4. Machine specifications

4.1 Machine description

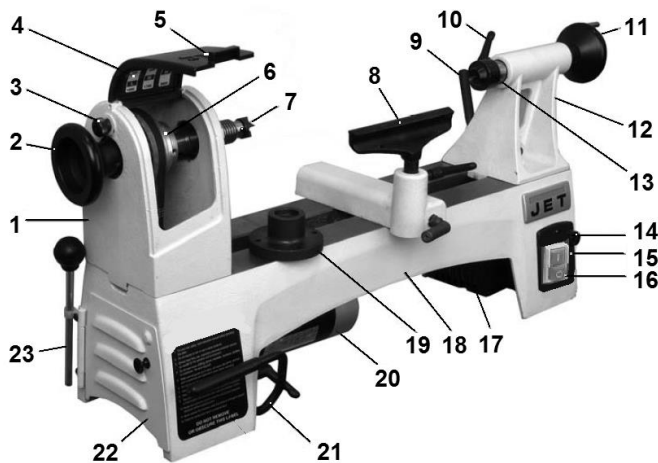


Fig 1 (JWL-1015VS shown)

- 1 Headstock
- 2 Spindle handwheel
- 3 Index pin
- 4..Speed chart
- 5..Upper pulley cover

- 6 Spindle pulley
- 7 Spur centre
- 8 Tool rest
- 9 Tailstock locking handle
- 10 Quill locking handle
- 11 Tailstock handwheel
- 12..Tailstock
- 13 Live centre
- 14 Variable speed control knob (JWL-1015VS only)
- 15 LED light display (JWL-1015VS only)
- 16 On/Off switch
- 17..Controller assembly
- 18 Bed
- 19 Face plate
- 20 Motor
- 21 Belt tension handle
- 22 Lower pulley cover
- 23 Knockout rod

4.2 Technical data

| | |
|---------------------------|-----------------|
| Swing over bed | 254mm |
| Swing over tool rest base | 186mm |
| Centre distance | 385mm |
| Spindle nose | M33x3,5 DIN 800 |
| Headstock spindle taper | MT 2 |
| Spindle indexing | 24x15° |
| Spindle hole diameter | 9,5mm |
| Tailstock spindle taper | MT 2 |
| Tailstock hole diameter | 9,5mm |
| Tailstock ram travel | 50mm |
| Centre above workbench | 297mm |
| Bed width | 127mm |
| Overall (LxWxH) | 885x300x370mm |

| | |
|------------------------------|----------------------|
| Mains | 1~230V, PE, 50Hz |
| Motor power | 0.37kW (0.5 HP) |
| Reference current | 2.5 A |
| Extension cord (H07RN-F): | 3x1.5mm ² |
| Installation fuse protection | 10A |
| Isolation class | I |

| | |
|--------------------------|--------------------------------------|
| JWL-1015: | |
| Number of spindle speeds | 6 |
| | 400, 700, 1000, 1500, 2200, 3300 rpm |
| Net weight | 35 kg |

| | |
|-----------------------------|----------------|
| JWL-1015VS: | |
| Number of mechanical speeds | 3 |
| Spindle speed range L | 200 - 1050 rpm |
| Spindle speed range M | 300 - 1750 rpm |
| Spindle speed range H | 600 - 3600 rpm |
| Net weight | 33 kg |

4.3 Noise emission

| | |
|--|----------------|
| Acoustic pressure level (EN ISO 11202): | |
| Idling | LpA 67,4 dB(A) |
| In operation | LpA 76,5 dB(A) |

The specified values are emission levels and are not necessarily to be seen as safe operating levels. As workplace conditions vary, this information is intended to allow the user to make a better estimation of the hazards and risks involved only.

4.4 Content of delivery

Live centre
 Spur centre
 Tooling knockout bar
 150 mm tool rest
 75 mm face plate
 Operating manual
 Spare parts list.

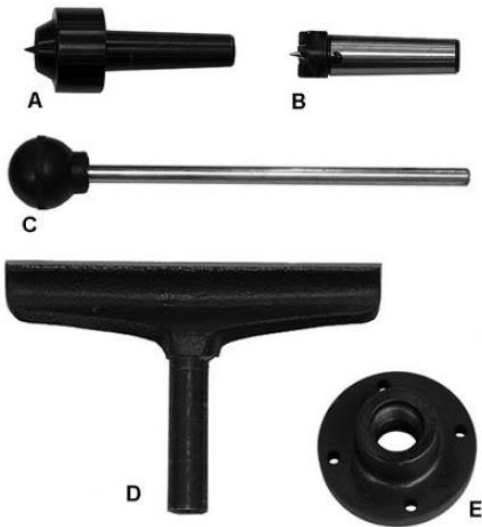


Fig 2

5. Transport and start up

5.1 Transport and installation

The machine is designed to operate in closed rooms and must be placed stable on firm and levelled surface.

For safety reasons, the machine must be bolted to the work bench or to the optional stand.

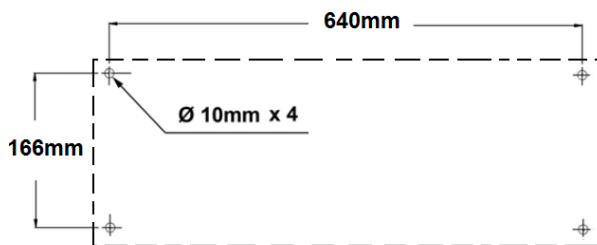


Fig 3

For packing reasons the machine is not completely assembled

5.2 Assembly

If you notice transport damage while unpacking, notify your supplier immediately. Do not operate the machine!

Dispose of the packing in an environmentally friendly manner.

Clean all rust protected surfaces with a mild solvent.

5.3 Mains connection

Mains connection and any extension cords used must comply with applicable regulations.

The mains voltage must comply with the information on the machine licence plate.

The mains connection must have a 10A surge-proof fuse.

Only use power cords marked H07RN-F

Connections and repairs to the electrical equipment may only be carried out by qualified electricians.

5.4 Dust collection

Use a suitable dust collection and air filtration system to avoid high dust concentrations in the air.

5.5 Starting operation

You can start the machine with the green ON-button (D, Fig 4).

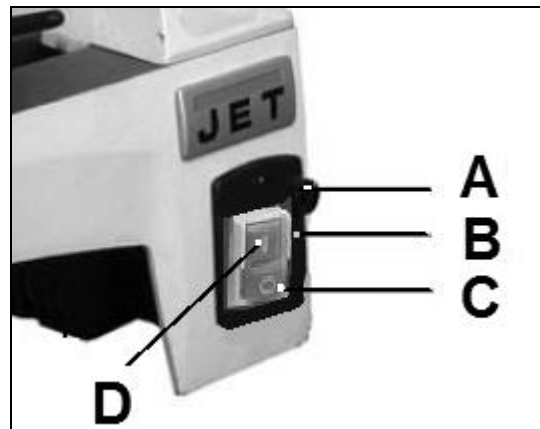


Fig 4

The machine will stop when you push the red OFF button (C). Wait for the workpiece to come to a complete stop.

JWL-1015VS only:

The variable speeds of the lathe are controlled by the speed control knob (A, Fig 4) as well as the position of the belt on the pulleys.

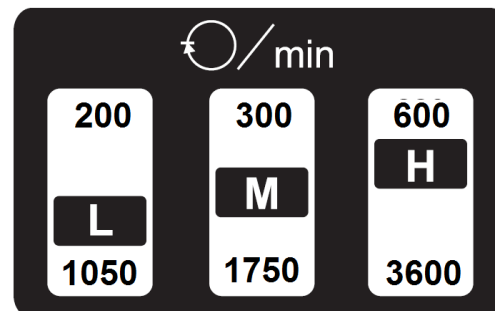


Fig 5

“Low” speed range (200~1050 rpm) for maximum torque.

“Medium” speed range (300~1750 rpm) for general use

“High” speed range (600~3600 rpm) for maximum speed.

Caution:

Always set the speed control knob to its lowest setting before starting lathe. Never start a workpiece at maximum speed.

LED light (B) displays “green” during normal operation.

LED light (B) displays “red” due to overload

LED light (B) displays “red” and “green” in case of error.

...see chapter 9.

6. Machine operation

The information which follows is general in nature and is not intended to be a complete course in wood turning. Nothing can replace the knowledge gained by conversation with experienced woodturners, or consulting books or trade articles.

6.1 Correct operating position

Always support the tool on the tool rest and guide with the palm of your hand keeping your fingers closed. (see Fig 6)

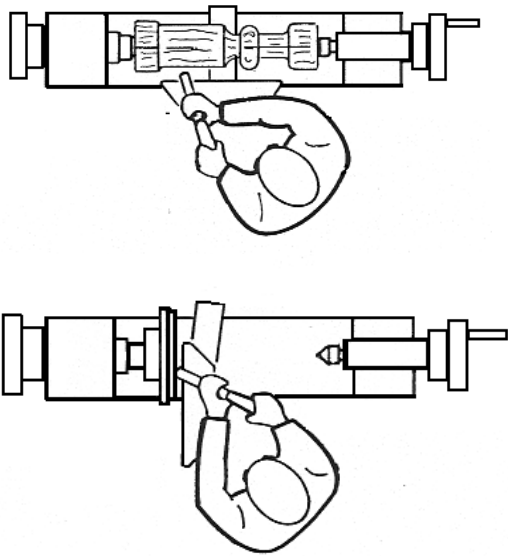


Fig 6

6.2 Tool selection

Successful wood turning does not result from high speeds, but rather, from the correct use of turning tools.

A perfect and sharp wood turner tool is a precondition for professional wood-turning.

Major tools:

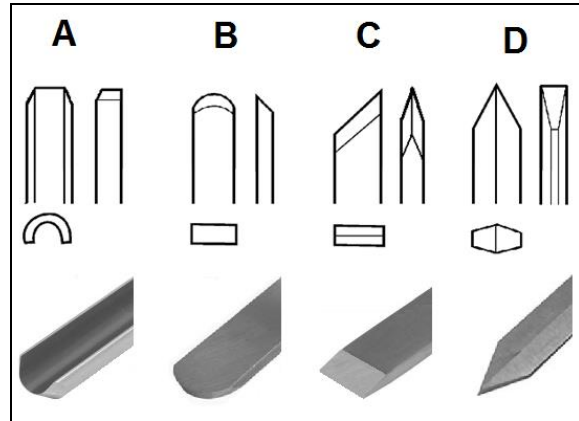


Fig 7

Gouge (A, Fig 7), used for rapidly cut raw wood into round stock, for turning bowls and plates, for turning beds, coves and other detail (Fig 8).

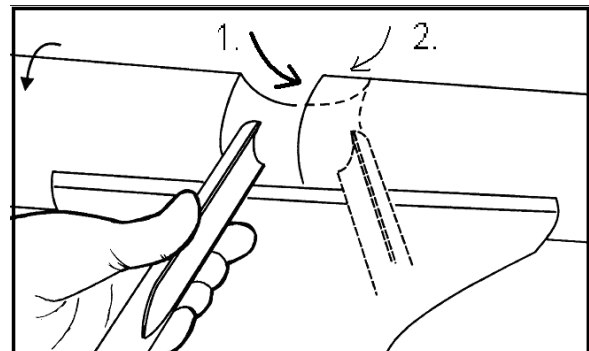


Fig 8

Scraper (B, Fig 7), used for diameter scraping and to reduce ridges.

Skew Chisel (C, Fig 7), used to make vees, beads, etc. (Fig 9). The bevel of skew is parallel to the cut.

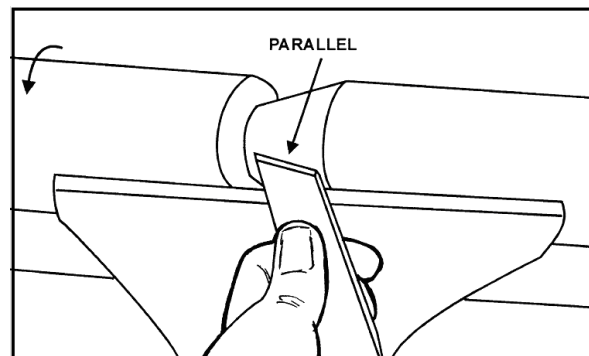


Fig 9

Parting tool (D, Fig 7), used to cut directly into the material, or to make a cut off. Also used for scraping and to set diameters.

6.3 Speed selection:

Use low speeds for roughing and for large diameter work. If vibrations occur, stop the machine and correct the cause. See speed recommendations.

Speed recommendations

| Workpiece Diameter mm | Roughing RPM | General Cutting RPM | Finishing RPM |
|-----------------------|--------------|---------------------|---------------|
| < 50 | 1500 | 2200 | 3300 |
| 50-100 | 700 | 1500 | 2200 |
| 100-150 | 500 | 1000 | 1500 |
| 150-200 | 400 | 700 | 1000 |
| 200-250 | 300 | 400 | 700 |

Fig 10

6.4 Turning between centres

With a ruler locate and mark the centre on each end. Put a dimple in each end of the shock. Extremely hard woods may require kerfs cut into the spur drive end of stock (see Fig 11).

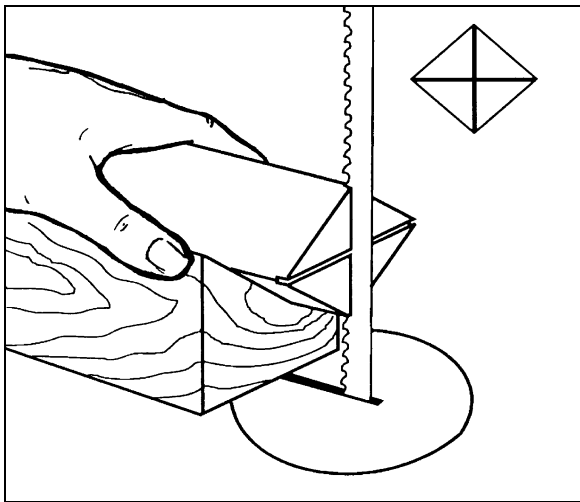


Fig 11

Mount the centred workpiece between the spur drive centre and the tailstock mounted live centre

Turn the tailstock hand wheel until the live centre well penetrates the workpiece. Reverse the hand wheel by one quarter turn and lock the tailstock spindle.

Turn the workpiece by hand to see if it rests securely between centres and can be rotated freely.

For turning between centres the tool rest is set approximately 3mm higher than centre line (Fig 12 and 13).

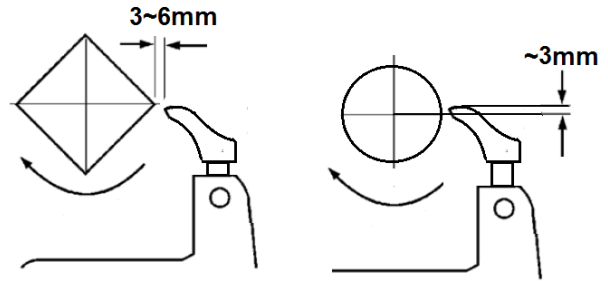


Fig 12



Fig 13

6.5 Bowl turning

Turn outside of bowl between centres.

Turn a short tenon the size of the hole in the faceplate (T, Fig 14). This will allow centring the workpiece.

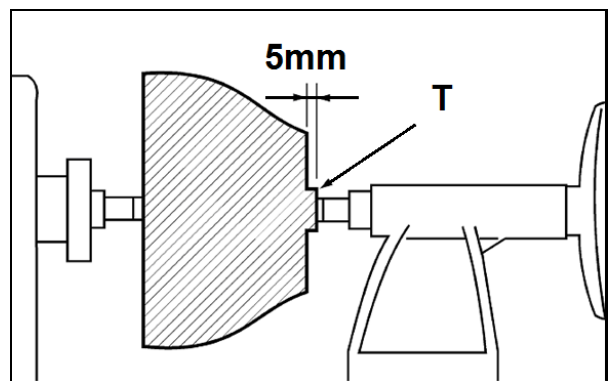


Fig 14

Mount the workpiece (A, Fig 17) directly to the face plate using 4 wood screws (C) from the back. Be careful to use screws short enough not to interfere with the cutting process but long enough to hold the workpiece securely to the face plate.

If screw mounting is not allowed at all, the work may be glued to a backing block (D) and the backing block screwed to the

face plate. A piece of paper in the glue joint will prevent damaging the wood when separated later.

Mount the face plate with the workpiece already attached onto the spindle nose thread and hand tighten.

If reversing spindle rotation, make sure face plate, chuck or other work holding is secured with the set screws, to avoid threading loose.

Move tailstock away, remove centre from tailstock to prevent injury.

Turn the workpiece by hand to see if it rests securely and can be rotated freely.

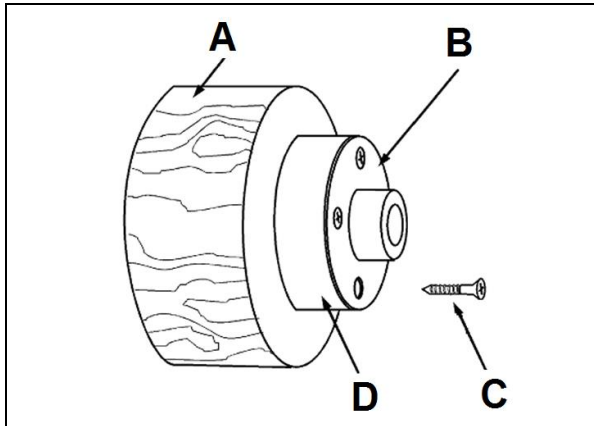


Fig 15

For face plate turning the tool rest is set slightly lower than centre line.

Caution:

Cut with your chisel on the left side of the turning centre only.

Use left hand to control cutting edge of gouge, while right hand swings tool handle around toward your body (Fig 16).

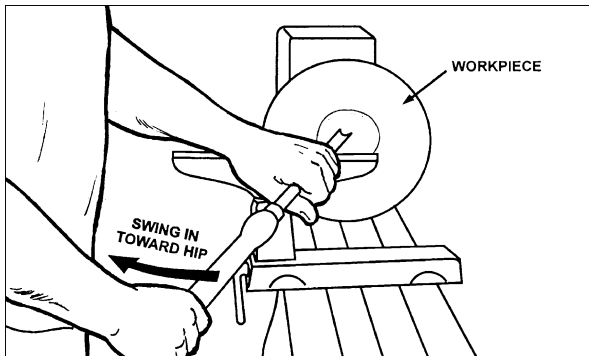


Fig 16

Try to make one, very light continuous movement from the rim to the bottom of the bowl to ensure a clean, sweeping curve through the workpiece.

Move tool support to the exterior to re-define bottom of bowl.

6.6 Sanding and Finishing

Remove the tool rest and begin with a fine grit sandpaper (120 grit) and progress through each grit, using only light pressure.

Use power sanding techniques to avoid concentric sanding marks.

Finish sanding with 220 grit.

Apply first coat of finish. Allow to dry before sanding again with 320 or 400 grit sandpaper.

Turn lathe back on and make a separation cut through the base. Stop at about dia. 80mm and use a fine tooth saw to separate the bowl from the waste.

Apply additional finish coats and allow to dry before buffing.

7. Setup and adjustments

General note:

Setup and adjustment work may only be carried out after the machine is protected against accidental starting by pulling the mains plug.

Make sure all levers and locking handles are tightened before operating the lathe.

7.1 Changing speed range

Disconnect the machine from the power source (unplug) !

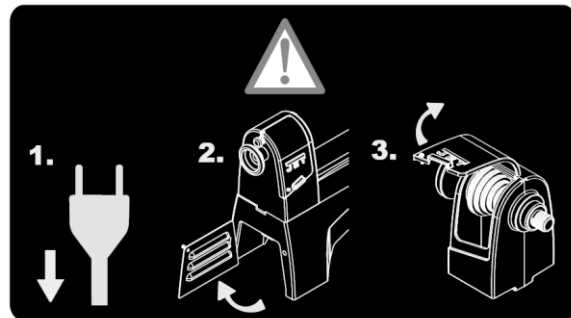


Fig 17

Loosen the locking screw and open the lower pulley cover.

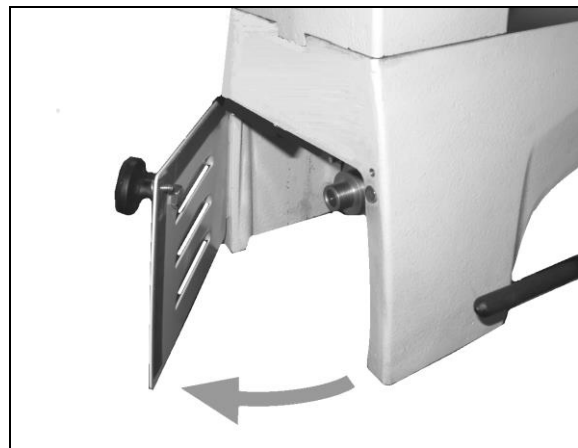


Fig 18

Loosen the locking screw and open the upper pulley cover.



Fig 19

Take tension off the belt. Loosen handle (F, Fig 20) and lift the lever (G).

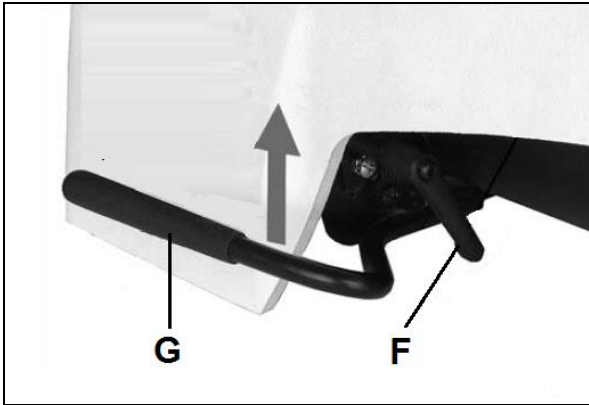


Fig 20

You can now position the belt in the desired speed range.

JWL-1015: 6 speeds

| ⤵ / min | | | | | |
|---------|-----|------|------|------|------|
| 400 | 700 | 1000 | 1500 | 2200 | 3300 |

JWL-1015VS: 3 variable speed ranges

| ⤵ / min | | |
|----------|----------|----------|
| 200 | 300 | 600 |
| L | M | H |
| 1050 | 1750 | 3600 |

“Low” speed range (200~1050 rpm) for maximum torque.
 “Medium” speed range (300~1750 rpm) for general use
 “High” speed range (600 ~ 3600 rpm) for maximum speed.

Make sure belt is properly seated in both pulleys.
 Push lever (G) down to tighten the belt.
 Close and lock the pulley covers.

⚠ WARNING
 Keep pulley covers closed during operation.

7.2 Installing work holding

Disconnect the machine from the power source (unplug).

The faceplate (F, Fig 21) is used for tuning bowls. There are a number of holes for mounting the workpiece.

Stop the spindle (G) with the tooling knock out rod (C).

Thread the faceplate onto the spindle in a clockwise direction, and tighten.

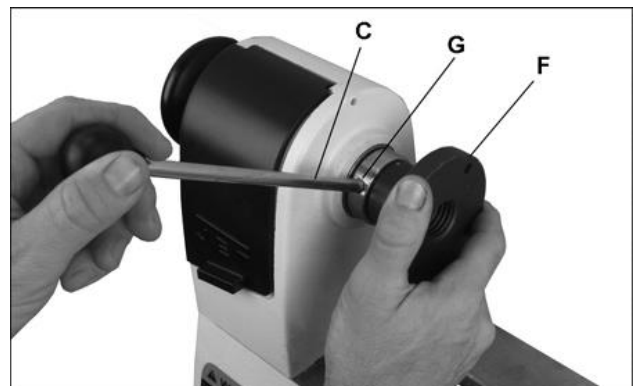


Fig 21

Caution:
 Remove the knockout rod before starting the spindle.

The spur centre is used to hold workpieces between centres.
 Make sure the mating surfaces are clean.

Push the spur centre into the spindle.

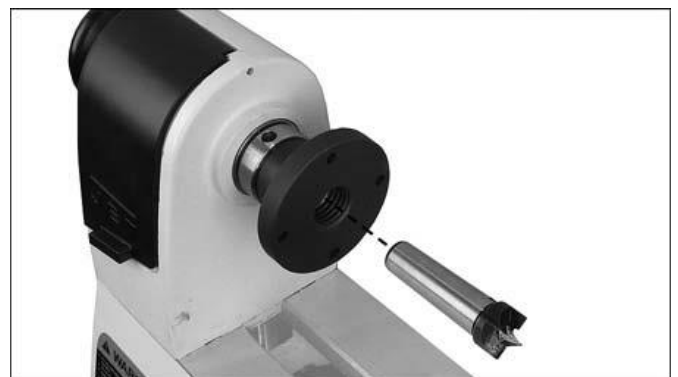


Fig 22



Fig 23

To remove, use the knockout bar to tap out the spur centre. Hold spur centre to prevent it from falling (Fig 23).

The live centre is used to hold a workpiece between centres. Make sure the mating surfaces are clean. Push the live centre into the quill.



Fig 24

To remove, rotate handwheel counter-clockwise to retract quill, until centre releases from quill (Fig 24).

7.3 Adjusting tool rest

Position the tool rest as close to the workpiece as possible. Tighten handle (A, Fig 25) to lock.

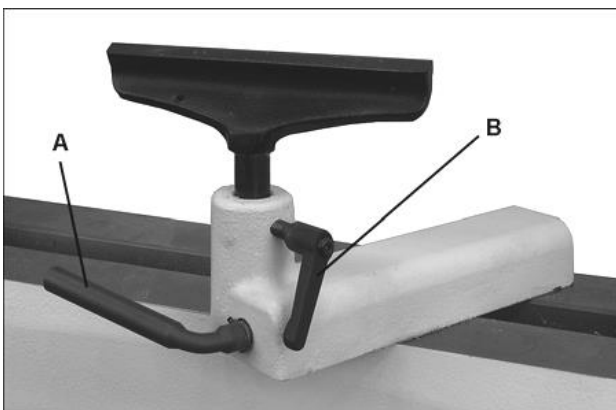


Fig 25

Set the height to approximately 3mm above centre. Tighten indexable knob (B).

7.4 Adjusting tailstock

Turn the hand wheel (E, Fig 26) clockwise to move tailstock quill forward. Lock quill with the indexable knob (D).

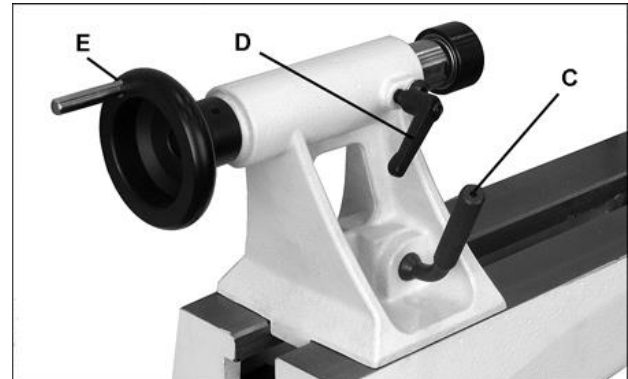


Fig 26

The handle (C) locks the tailstock in position on the bed.

The live centre can be ejected by turning the hand wheel counter-clockwise.

The live centre pin can be removed to allow deep hole drilling operations.

Caution: Do not position tailstock over the edge of bed. This will result in less clamping surface and increase risk of injury.

7.5 Spindle index

The index feature allows you to cut evenly spaced features in a workpiece while keeping the Lathe spindle locked.

The lathe provides 24 index positions.

These are identified by numbers on the spindle pulley (H, Fig 27).

Thread index pin (J) into the headstock. Make sure that it locates in one of the pulley holes (I).

Note: A 3mm hex key (K) can be used to help tighten/loosen the index pin.

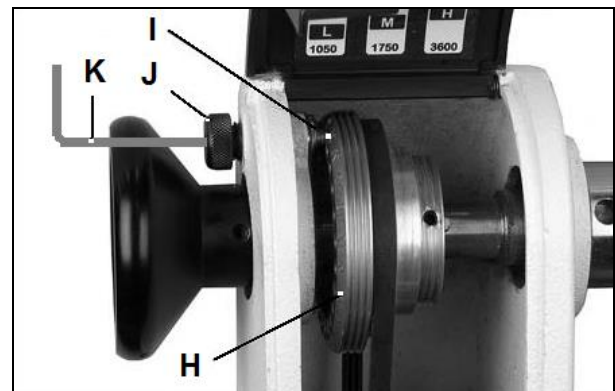


Fig 27

Caution:

Release index pin before turning on the lathe.
Never press the index pin while the spindle is turning.

8. Maintenance and inspection

General notes:

Maintenance, cleaning and repair work may only be carried out after the machine is protected against accidental starting by pulling the mains plug.

Clean the machine regularly (wear eye and dust protection)

Inspect the proper function of the dust collection.

Protect headstock spindle, tailstock quill, tool rest post and machine bed from rust, by applying thin coat of oil or rust protectorant.

Defective safety devices must be replaced immediately.

Repair and maintenance work on the electrical system may only be carried out by a qualified electrician

8.1 Adjusting bed clamping

If adjustment is needed, slide the tailstock or toolrest to the edge of the bed and slightly turn the cam lock nut (B, Fig 28).

Test the clamping function and repeat if necessary.

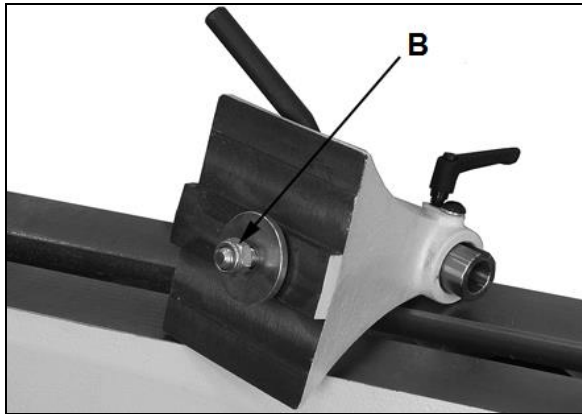


Fig 28

8.2 Inspecting motor brushes (JWL-1015VS only)

Disconnect the machine from the power source (unplug) !

A heavily worn or damaged brush may eventually cause damage to the motor.

Periodically inspect the two carbon brushes, located at each side of the motor.

Unscrew the cap and withdraw brush.

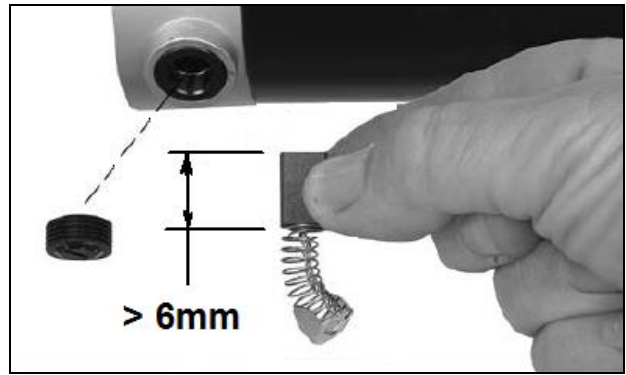


Fig 29

Replace both brushes if worn down to 6mm or if damaged.

(article no.: JWL1015VS-MCB.....motor carbon brush with cap, 2 pieces needed)

Reinstall brushes and caps.

8.3 Changing belt

Disconnect the machine from the power source (unplug) !

Open the pulley covers and remove the Poly-V belt from the lower pulley.

Loosen two set screws (A, Fig 30) and unscrew the hand wheel.

Note: Left hand thread, turn clockwise to remove.

Loosen two set screws (B) in spindle pulley.

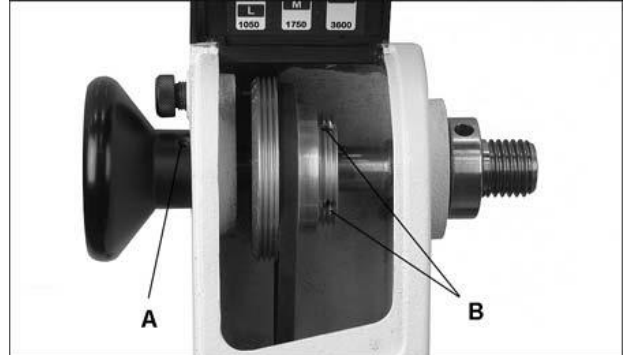


Fig 30

Use a rubber mallet, to tap the spindle towards tailstock. (also can use a piece of hard wood, or brass to protect the spindle).

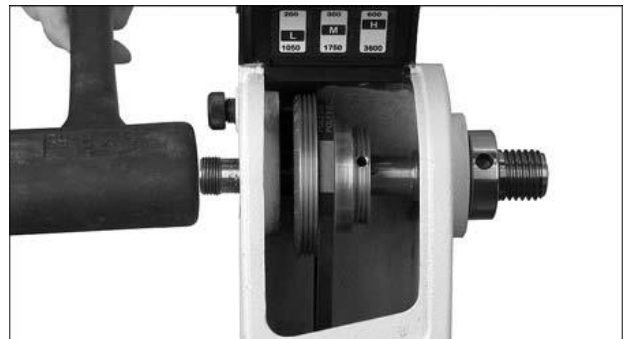


Fig 31

Go only far enough to remove the belt.

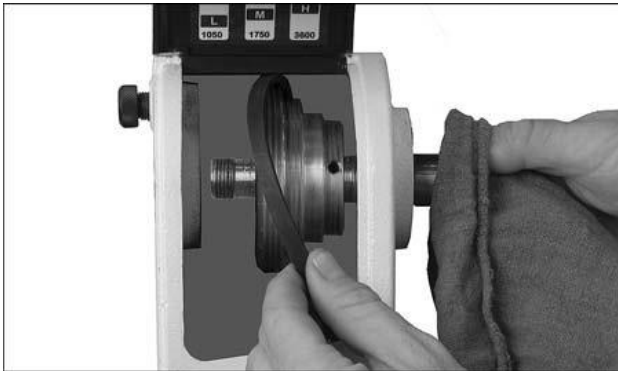


Fig 32

To reassemble reverse the procedure.

Note:

To avoid bearing overload, do not over tighten the handwheel.

Thread it on to the spindle until its snug, then back off slightly and tighten the grub screws.

9. Trouble shooting

Motor fails to develop full power

*Power line overloaded-
Correct overload condition.

*Undersized wires in power supply system-
Increase supply wire size.

Motor or spindle stalls or doesn't start

*No electricity-
check mains and fuse.

*Defective switch, circuit board, motor or cord-
consult an electrician.

*Overload detected on drive unit (JWL-1015VS only)-
wait and restart machine; chose low speed range belt setting
(200-1050 rpm) for better torque.

*Excessive cut-
Reduce depth of cut.

*Improper belt tension or worn belt-
Adjust or replace belt as needed

Machine vibrates excessively

*Stands on uneven surface-
adjust stand for even support.

*Workpiece is not properly centred

*The speed is too high

*Motor mounting fasteners are loose

Tailstock moves when applying pressure

*Cam lock nut needs adjusting-
Tighten cam lock nut (see chapter 8.1)

*Bed and tailstock surfaces are greasy-
Clean surface and re-apply rust protection

Tolls tend to grab or dig in

*Dull tools-
Keep tools sharp

*Tool support set too low-
Reposition tool support height

*Tool support set too far from workpiece-
Reposition tool support closer to work piece

*Improper tool being used-
Use correct tool for operator

JWL-1015VS only:

Red LED light display

*Overload limiter in circuit board activated-
Reduce depth of cut.

*Overheating in heat sink-
Reduce depth of cut.

*Spindle locked-
Release index pin.

Green LED and Red LED light display, both are lit

*Motor cord unplugged-
Check plug connection underneath the machine bed.

*Motor brushes worn or damaged-
Replace brushes

*Worn motor-
Replace motor.

*Circuit board failure-
Consult electrician to verify / replace circuit board.

10. Environmental protection

Protect the environment.

Your appliance contains valuable materials which can be recovered or recycled. Please leave it at a specialized institution.

11. Available accessories

Stock number 719101

Bed Extension 530mm (Fig 33)



Fig 33

Stock number 719102
Machine stand (Fig 34, Fig 35)



Fig 34



Fig 35

Refer to the JET-Pricelist
for various tools and work holding.

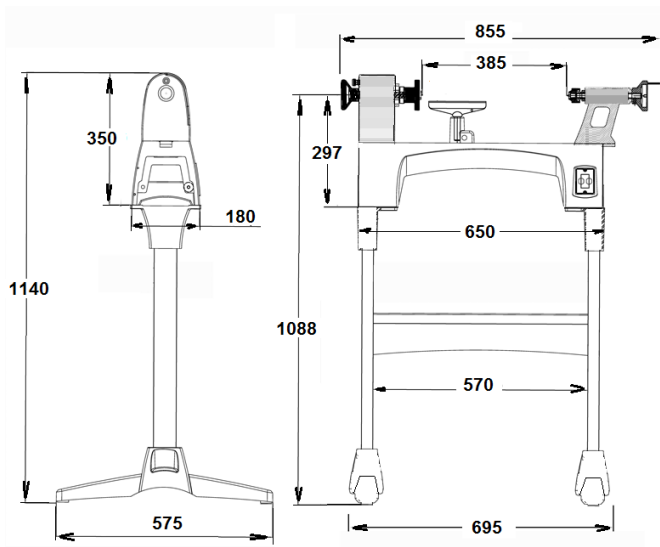


Fig 35

Stock number 719103
Machine stand extension 530mm (Fig 35)

DE - DEUTSCH

Betriebsanleitung

Sehr geehrter Kunde,

vielen Dank für das Vertrauen, welches Sie uns beim Kauf Ihrer neuen JET-Maschine entgegengebracht haben. Diese Anleitung ist für den Eigentümer und die Bediener zum Zweck einer sicheren Inbetriebnahme, Bedienung und Wartung der **DrehSELbank JWL-1015, JWL-1015VS** erstellt worden. Beachten Sie bitte die Informationen dieser Gebrauchsanleitung und der beiliegenden Dokumente. Lesen Sie diese Anleitung vollständig, insbesondere die Sicherheitshinweise, bevor Sie die Maschine zusammenbauen, in Betrieb nehmen oder warten. Um eine maximale Lebensdauer und Leistungsfähigkeit Ihrer Maschine zu erreichen befolgen Sie bitte sorgfältig die Anweisungen.

...Inhaltsangabe

1. Konformitätserklärung

2. Garantieleistungen

3. Sicherheit

Bestimmungsgemäße Verwendung
Allgemeine Sicherheitshinweise
Restrisiken

4. Maschinenspezifikationen

Maschinenbeschreibung
Technische Daten
Schallemission
Lieferumfang

5. Transport und Inbetriebnahme

Transport und Aufstellung
Montage
Netzanschluss
Absaug Anschluss
Inbetriebnahme

6. Maschinenbetrieb

Richtige Arbeitsstellung
Drehstuhl Auswahl
Drehzahlwahl
Drechseln zwischen Spitzen
Drechseln von Schalen und Tellern
Schleifen und Imprägnieren

7. Rüst und Einstellarbeiten

Wechsel des Drehzahlbereichs
Spannmittel Montage
Anpassung der Handstahlaufgabe
Anpassung des Reitstocks
Spindel Teileinrichtung

8. Wartung und Inspektion

Klemmexcenter-Einstellung
Prüfung der Motorbürsten
Riemenwechsel

9. Störungsabhilfe

10. Umweltschutz

11. Verfügbares Zubehör

1. Konformitätserklärung

Wir erklären in alleiniger Verantwortlichkeit, dass dieses Produkt mit den auf Seite 2 angegebenen Richtlinien* übereinstimmt.

Bei der Konstruktion wurden folgende Normen** berücksichtigt.

2. Garantieleistungen

Der Verkäufer garantiert, dass das gelieferte Produkt frei von Material- und Fertigungsfehlern ist. Diese Garantie trifft nicht auf jene Defekte zu, welche auf direkten oder indirekten, nicht fachgerechten Gebrauch, Unachtsamkeit, Unfallschaden, Reparatur, mangelhafte Wartung bzw. Reinigung sowie normalen Verschleiß zurückzuführen sind.

Garantie- bzw. Gewährleistungsansprüche müssen innerhalb von 12 Monaten ab dem Verkaufsdatum (Rechnungsdatum) geltend gemacht werden. Weitergehende Ansprüche sind ausgeschlossen.

Die vorliegende Garantie umfasst sämtliche Garantieverpflichtungen seitens des Verkäufers und ersetzt alle früheren Erklärungen und Vereinbarungen betreffend Garantien.

Die Garantiefrist gilt für eine tägliche Betriebszeit von 8 Stunden. Wird diese überschritten, so verkürzt sich die Garantiefrist proportional zur Überschreitung, jedoch höchstens auf 3 Monate.

Die Rücksendung beanstandeter Ware bedarf der ausdrücklichen vorherigen Zustimmung vom Verkäufer und geht auf Kosten und Gefahr des Käufers.

Die ausführlichen Garantieleistungen sind den Allgemeinen Geschäftsbedingungen (AGB) zu entnehmen. Die AGB sind unter www.jettools.com einzusehen oder werden auf Anfrage per Post zugestellt.

Der Verkäufer behält sich das Recht vor, jederzeit Änderungen am Produkt und Zubehör vorzunehmen.

3. Sicherheit

3.1 Bestimmungsgemäße Verwendung

Diese Stemm-Maschine ist ausschließlich zum Stemmen von Holz und Holzersatzstoffen geeignet.

Die Bearbeitung anderer Werkstoffe ist nicht zulässig bzw. darf in Sonderfällen nur nach Rücksprache mit dem Maschinenhersteller erfolgen.

Es dürfen nur Werkstücke bearbeitet werden welche sicher angelegt und gespannt werden können.

Die bestimmungsgemäße Verwendung beinhaltet auch die Einhaltung der vom Hersteller angegebenen Betriebs- und Wartungsanweisungen.

Die Maschine darf ausschließlich von Personen bedient werden, die mit Betrieb und Wartung vertraut und über die Gefahren unterrichtet sind.

Das gesetzliche Mindestalter ist einzuhalten.

Neben den in der Gebrauchsanleitung enthaltenen Sicherheitshinweisen und den besonderen Vorschriften Ihres Landes sind die für den Betrieb von Holzbearbeitungsmaschinen allgemein anerkannten fachtechnischen Regeln zu beachten.

Jeder darüber hinaus gehende Gebrauch gilt als nicht bestimmungsgemäß und für daraus resultierende Schäden haftet der Hersteller nicht. Das Risiko trägt allein der Benutzer.

3.2 Allgemeine Sicherheitshinweise

Holzbearbeitungsmaschinen können bei unsachgemäßem Gebrauch gefährlich sein. Deshalb ist zum sicheren Betreiben die Beachtung der zutreffenden Unfallverhütungsvorschriften und der nachfolgenden Hinweise erforderlich.



Lesen und verstehen Sie die komplette Gebrauchsanleitung bevor Sie mit Montage oder Betrieb der Maschine beginnen.



Bewahren Sie die Bedienungsanleitung, geschützt vor Schmutz und Feuchtigkeit, bei der Maschine auf, und geben Sie sie an einen neuen Eigentümer weiter.

An der Maschine dürfen keine Veränderungen, An- und Umbauten vorgenommen werden.

Überprüfen Sie täglich vor dem Einschalten der Maschine die einwandfreie Funktion und das Vorhandensein der erforderlichen Schutzeinrichtungen.

Festgestellte Mängel an der Maschine oder den Sicherheitseinrichtungen sind zu melden und von den beauftragten Personen zu beheben.

Nehmen Sie die Maschine in solchen Fällen nicht in Betrieb, sichern Sie die Maschine gegen Einschalten durch Ziehen des Netzsteckers.

Zum Schutz von langem Kopfhaar Mütze oder Haarnetz aufsetzen.

Enganliegende Kleidung tragen, Schmuck, Ringe und Armbanduhren ablegen.

Tragen Sie Schutzschuhe, keinesfalls Freizeitschuhe oder Sandalen.

Verwenden Sie die durch Vorschriften geforderte persönliche Schutzausrüstung.

- Augenschutz
- Ohrenschutz
- Staubschutz



Beim Arbeiten an der Maschine keine Handschuhe tragen.



Die Maschine so aufstellen, dass genügend Platz zum Bedienen und zum Führen der Werkstücke gegeben ist.

Sorgen Sie für gute Beleuchtung.

Achten Sie darauf, dass die Maschine standsicher auf fester und ebener Tischfläche oder auf dem Originalunterschrank festgeschraubt ist.

Beachten Sie dass die elektrische Zuleitung nicht den Arbeitsablauf behindert und nicht zur Stolperstelle wird.

Den Arbeitsplatz frei von behindernden Werkstücken, etc. halten.

Niemals in die laufende Maschine greifen.

Seien Sie aufmerksam und konzentriert. Gehen Sie mit Vernunft an die Arbeit.

Achten Sie auf ergonomische Körperhaltung. Sorgen Sie für sicheren Stand und halten Sie jederzeit das Gleichgewicht.

Arbeiten Sie niemals unter dem Einfluss von Rauschmitteln wie Alkohol und Drogen an der Maschine. Beachten Sie, dass auch Medikamente Einfluss auf Ihr Verhalten nehmen können.



Niemals in die laufende Maschine greifen.



Halten Sie Unbeteiligte, insbesondere Kinder vom Gefahrenbereich fern.

Die laufende Maschine nie unbeaufsichtigt lassen. Vor dem Verlassen des Arbeitsplatzes die Maschine ausschalten.

Benützen Sie die Maschine nicht in der Nähe von brennbaren Flüssigkeiten oder Gasen.

Beachten Sie die Brandmelde- und Brandbekämpfungsmöglichkeiten z.B. Standort und Bedienung von Feuerlöschern.

Benützen Sie die Maschine nicht in feuchter Umgebung und setzen Sie sie nicht dem Regen aus.

Vor der Bearbeitung Nägel und andere Fremdkörper aus dem Werkstück entfernen.

Nur mit gut geschärften Werkzeugen arbeiten.

Bearbeiten Sie nur ein Werkstück, das sicher auf dem Tisch aufliegt.

Arbeiten Sie nie bei geöffneten Bohrfutterdeckeln.

Angaben über die min. und max. Werkstückabmessungen müssen eingehalten werden.

Späne und Werkstückteile nur bei stehender Maschine entfernen.

Nicht auf der Maschine stehen.

Arbeiten an der elektrischen Ausrüstung der Maschine dürfen nur durch eine Elektrofachkraft vorgenommen werden.



Tauschen Sie ein beschädigtes Netzkabel sofort aus.

Umrüst-, Einstell- und Reinigungsarbeiten nur im Maschinenstillstand und bei gezogenem Netzstecker vornehmen.



3.3 Restrisiken

Auch bei vorschriftsmäßiger Benutzung der Maschine bestehen die nachfolgend aufgeführten Restrisiken.

Verletzungsgefahr durch das frei drehende Werkstück.

Nicht homogene bzw. nicht belastbare Werkstücke können auf Grund der Zentrifugalkraft explodieren.

Verarbeiten Sie nur ausgesuchte Hölzer ohne Fehler.

Unwuchtige Werkstücke führen zu Verletzungsgefahr.

Verletzungsgefahr durch unsichere Werkzeugführung, bei nicht exakt angestellter Werkzeugauflage und stumpfem oder defektem Drechselwerkzeug.

Rückschlaggefahr. Das Werkzeug wird von dem sich drehenden Werkstück erfasst und gegen den Bediener geschleudert.

Gefährdung durch wegfliegende Werkstücke und Werkstückteile.

Gefährdung durch Lärm und Staub.

Unbedingt persönliche Schutzausrüstungen wie Augen-, Gehör- und Staubschutz tragen.

Eine geeignete Absauganlage einsetzen. Sorgen Sie für gute Durchlüftung.

Gefährdung durch Strom, bei nicht ordnungsgemäßer Verkabelung.

4. Maschinenspezifikationen

4.1 Maschinenbeschreibung

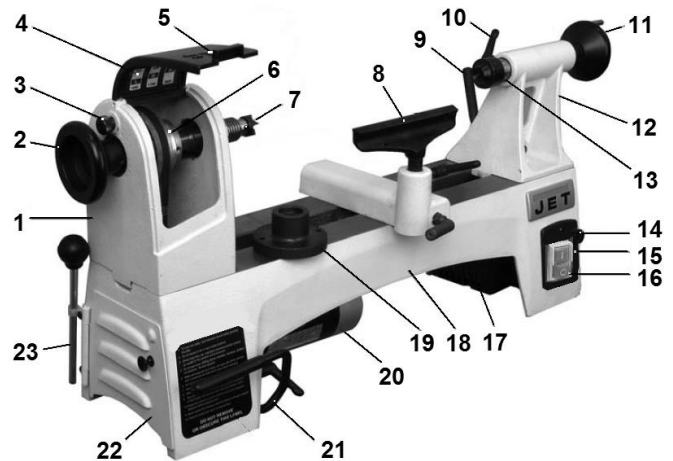


Fig 1 (JWL-1015VS abgebildet)

- 1 Spindelstock
- 2 Spindel Handrad
- 3 Spindel Teileinrichtung
- 4..Drehzahl Schild
- 5..Oberer Riemendeckel
- 6 Spindel Riemenscheibe
- 7 Stirnmitnehmer
- 8 Handstahlauflege
- 9 Reitstock Klemmhebel
- 10 Reitstockpinole Klemmung
- 11 Reitstock Handrad
- 12..Reitstock
- 13 Mitlauf Körnerspitze
- 14 Drehzahlregulierung (Potentiometer)...nur JWL-1015VS
- 15 LED Anzeige...nur JWL-1015VS
- 16 Ein/ Aus Schalter
- 17..Gehäuse für Steuerplatine
- 18 Maschinenbett
- 19 Aufspanscheibe
- 20 Motor
- 21 Riemenspanner
- 22 Unterer Riemendeckel
- 23 Ausstoßbolzen

4.2 Technische Daten

| | |
|---------------------------------------|-----------------|
| Drehdurchmesser über Bett | 254mm |
| Drehdurchmesser über Handstahlauflege | 186mm |
| Spitzenweite | 385mm |
| Spindelnase | M33x3,5 DIN 800 |
| Spindelkonus | MK2 |
| Spindelteilung | 24x15° |
| Spindelbohrung | 9,5mm |
| Reitstockkonus | MK2 |
| Reitstockbohrung | 9,5mm |
| Reitstock Pinolenhub | 50mm |
| Spitzenhöhe über Werkbank | 297mm |
| Maschinenbettbreite | 127mm |
| Maschinenabmessungen (LxTxH) | 885x300x370mm |

| | |
|-------------------------------|-----------------------|
| Netzanschluss | 1~230V, PE, 50Hz |
| Motorleistung | 0.37 kW (0.5 PS) |
| Betriebsstrom | 2.5 A |
| Verlängerungskabel (H07RN-F): | 3x1.5 mm ² |
| Bauseitige Absicherung | 10A |
| Isolationsklasse | I |

JWL-1015:

| | |
|---------------------------------------|--|
| Anzahl mechanischer Geschwindigkeiten | 6 |
| | 400, 700, 1000, 1500, 2200, 3300 U/min |
| Nettogewicht | 35 kg |

JWL-1015VS:

| | |
|---------------------------------------|------------------|
| Anzahl mechanischer Geschwindigkeiten | 3 |
| Drehzahlbereich L | 200 - 1050 U/min |
| Drehzahlbereich M | 300 - 1750 U/min |
| Drehzahlbereich H | 600 - 3600 U/min |
| Nettogewicht | 33 kg |

4.3 Schallemission

Schalldruckpegel
(nach EN ISO 11202):

| | |
|-------------|----------------|
| Leerlauf | LpA 67,4 dB(A) |
| Bearbeitung | LpA 76,5 dB(A) |

Die angegebenen Werte sind Emissionspegel und sind nicht notwendigerweise Pegel für sicheres Arbeiten.

Sie sollen dem Anwender eine Abschätzung der Gefährdung und des Risikos ermöglichen.

4.4 Lieferumfang

Mitlaufkörnerspitze
Stirnmitnehmer
Ausstoßbolzen
150 mm Handstahlaufleger
75 mm Aufspannscheibe
Gebrauchsanleitung
Ersatzteilliste.

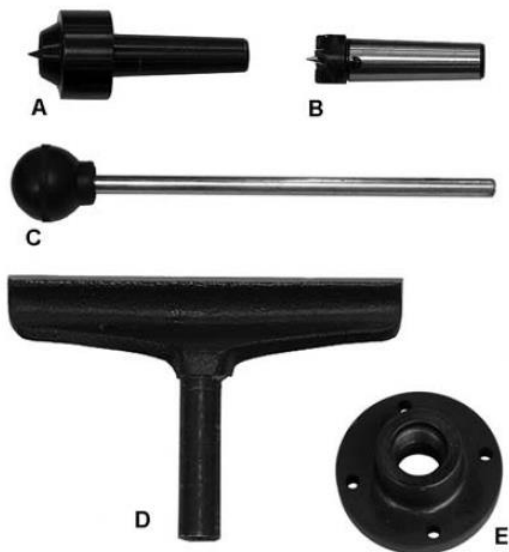


Fig 2

5. Transport und Inbetriebnahme

5.1 Transport und Aufstellung

Die Aufstellung der Maschine sollte in geschlossenen Räumen erfolgen, die Aufstellfläche muss dabei ausreichend eben und belastungsfähig sein.

Um einen sicheren Betrieb der Maschine zu gewährleisten, muss sie auf der Werkbank oder dem optional erhältlichen Untersatz festgeschraubt sein.

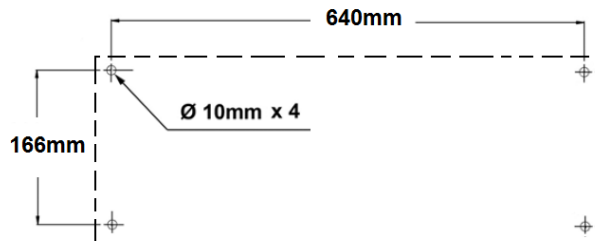


Fig 3

Aus verpackungstechnischen Gründen ist die Maschine nicht komplett montiert.

5.2 Montage

Falls Sie beim Auspacken Transportschäden bemerken, informieren Sie den Zulieferer hierüber unverzüglich. Nehmen Sie die Maschine auf keinen Fall in Betrieb!

Entsorgen Sie die Verpackung auf eine umweltfreundliche Art.

Reinigen Sie alle vor Rost geschützten Oberflächen mit einem milden Lösungsmittel.

5.3 Netzanschluss

Der kundenseitige Netzanschluss sowie die verwendeten Verlängerungsleitungen müssen den Vorschriften entsprechen.

Die Netzspannung und Frequenz müssen mit den Leistungsschilddaten an der Maschine übereinstimmen.

Die bauliche Absicherung muss dabei 10A betragen.

Verwenden Sie nur Anschlussleitungen mit Kennzeichnung H07RN-F

Anschlüsse und Reparaturen der elektrischen Ausrüstung dürfen nur von einem Elektrofachkraft durchgeführt werden.

5.4 Absaug Anschluss

Vermeiden Sie eine hohe Luftstaubkonzentration. Setzen Sie ein geeignetes Absaug- bzw. Filtersystem ein.

5.5 Inbetriebnahme

Mit dem grünen Eintaster (D, Fig 4) kann die Maschine gestartet werden..

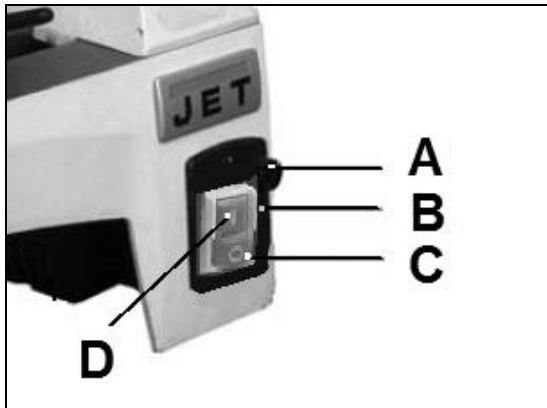


Fig 4

Zum Stillsetzen drücken Sie den Roten Aus-Taster (C).
Warten Sie bis das Werkstück zum Stillstand kommt.

Nur JWL-1015VS:

Die gewünschte Drehzahl kann am Drehgriff (A) stufenlos eingestellt werden.

Es stehen 3 Drehzahlbereiche durch Riemenumlegen zur Verfügung.

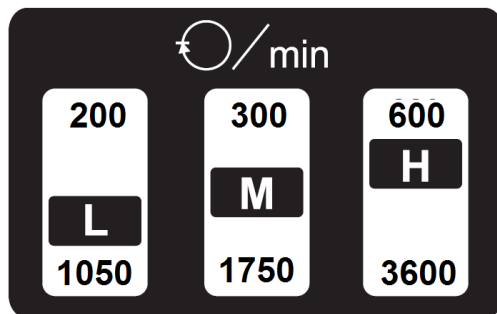


Fig 5

- "hohes Drehmoment" L (200~1050 U/min).
- "allgemeiner Gebrauch" M (300~1750 U/min)
- "hohe Drehzahl" H (600~3600 U/min)

Achtung:

Stellen Sie vor jedem Maschinenstart den Drehgriff (A) auf die niedrigste Stufe. Die Maschine niemals in der höchsten Stufe starten.

Die LED-Anzeige (B) leuchtet "grün" im Normalbetrieb.

Die LED-Anzeige (B) leuchtet "rot" bei Überlastung.

Die LED-Anzeige (B) leuchtet "rot und grün" bei Störung (siehe Kapitel 9)

6. Maschinenbetrieb

Die folgende Information soll Ihnen Grundkenntnisse vermitteln. Nichts kann einen Drechselkurs bzw. das Wissen, gewonnen aus dem Gespräch mit erfahrenen Drechslern, ersetzen. Fachliteratur ist eine weitere wertvolle Wissensquelle.

6.1 Richtige Arbeitsstellung

Das Drechselwerkzeug immer aufgelegt an der Handstahlaufgabe führen. Dabei die Finger geschlossen halten und mit dem Handballen an der Handstahlaufgabe abstützen (siehe Fig 6)

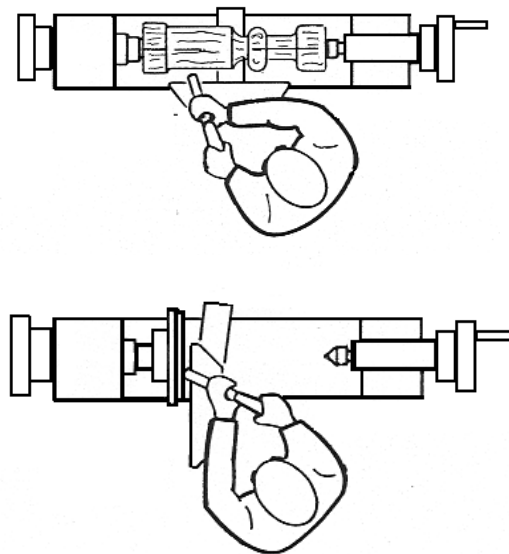


Fig 6

6.2 Drehstahl Auswahl

Erfolgreiches Drechseln hängt nicht von hohen Drehzahlen ab, sondern von der richtigen Anwendung der Drechselwerkzeuge.

Eine Voraussetzung für fachgerechtes Drechseln ist ein einwandfreies und geschärftes Drechselwerkzeug.

Die wichtigsten Drechselstähle:

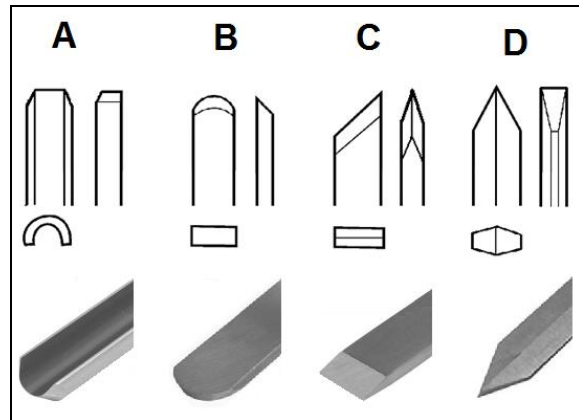


Fig 7

Drechselröhre (A, Fig 7)

Wichtigstes Drechselwerkzeug, wird verwendet zur Schrumpferspannung, zum Aushöhlen von Schalen und Tellern und zum Drechseln von Einschnürungen (Fig 8).

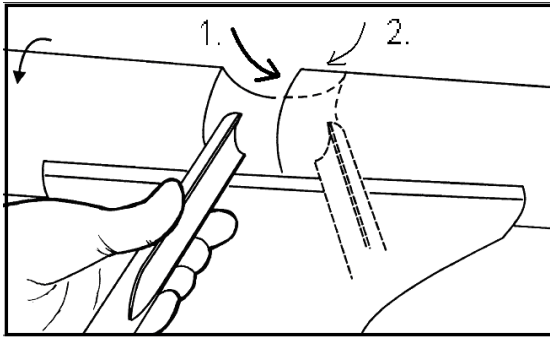


Fig 8

Schaber (B, Fig 7)

Wird verwendet zur Außen- und Innenkalibrierung sowie zum Entfernen von Bearbeitungsriefen.

Schrägmeißel (C, Fig 7)

Wird verwendet zum Drehseln von V-Rillen und zur Außenkalibrierung. Die Schneide wird parallel zum Schnitt angestellt (Fig 9)

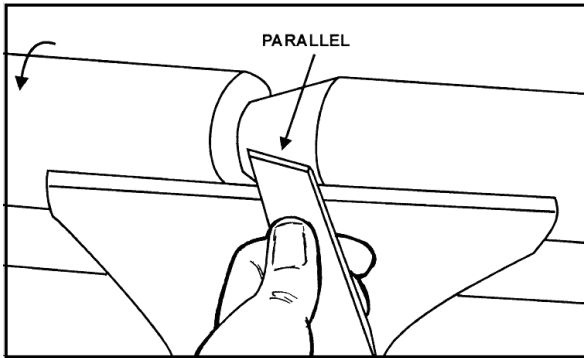


Fig 9

Abstechstahl (D, Fig 7) Wird verwendet um direkt in das Werkstück einzutauchen, z.B. beim Einstechen auf Mass, Hinterdrehen, und Abstechen. Kann auch als Schaber eingesetzt werden.

6.3 Drehzahlwahl:

Große und ungewichtige Werkstücke nur mit kleiner Drehzahl bearbeiten.

Beim Auftreten von Vibrationen die Maschine stoppen und Abhilfe schaffen.

Beachten Sie die Drehzahlempfehlung.

Drehzahlempfehlung in U/min

| Werkstück- durchmesser mm | Schruppen U/min | Allgemeine Schnitte U/min | Schlichten U/min |
|---------------------------------|--------------------|---------------------------------|---------------------|
| < 50 | 1500 | 2200 | 3300 |
| 50-100 | 700 | 1500 | 2200 |
| 100-150 | 500 | 1000 | 1500 |
| 150-200 | 400 | 700 | 1000 |
| 200-250 | 300 | 400 | 700 |

Fig 10

6.4 Drehseln zwischen Spitzen

Markieren und kornen Sie die Werkstückmitte an beiden Enden.

Bei harten Hölzern kann es spindelstockseitig erforderlich sein Einschnitte anzubringen (siehe Fig 11).

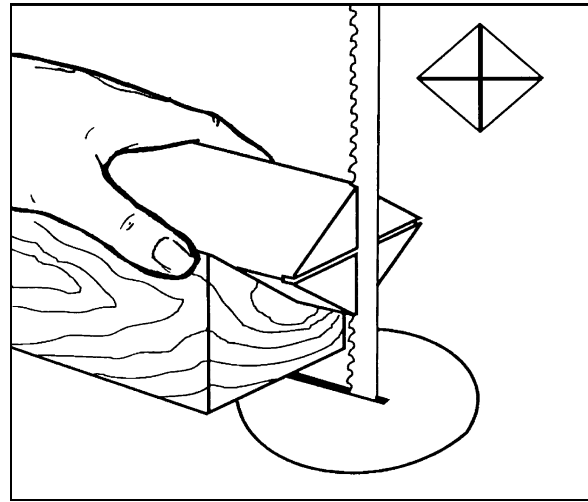


Fig 11

Spannen Sie das zentrierte Werkstück zwischen den Stirnmitnehmer und die Reitstock Mitlaufkörnerspitze.

Drehen Sie das Reitstock Handrad bis die Mitlaufkörnerspitze im Werkstück gut festsetzt. Drehen Sie das Handrad eine Vierteldrehung zurück und klemmen Sie die Reitstockpinole fest.

Drehen Sie das Werkstück von Hand und prüfen Sie die sichere Aufspannung und die freie Rotation.

Beim Arbeiten zwischen den Spitzen wird die Höhe der Handstahlaufgabe ca. 3 mm über der Spitzenhöhe eingestellt (Fig 12 und 13).

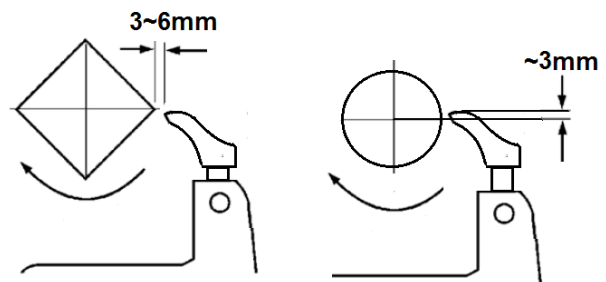


Fig 12



Fig 13

6.5 Drechseln von Schalen und Tellern

Drechseln Sie die Außenseite der Schale zwischen den Spitzen.

Das Andrehen eines kurzen Zapfens (T, Fig 14) mit dem Innendurchmesser der Aufspannscheibe hilft dabei, das Werkstück in der zweiten Aufspannung zu zentrieren.

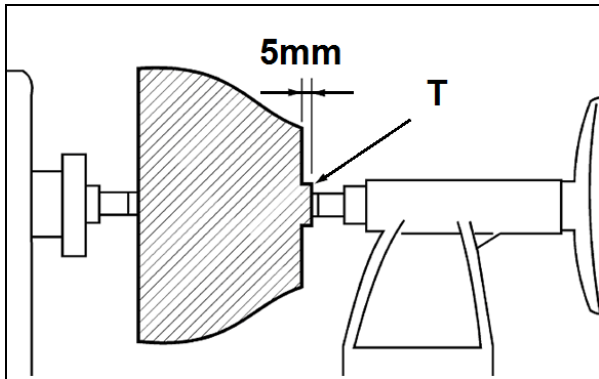


Fig 14

Befestigen Sie das Werkstück (A, Fig 15) mit 4 Messing-Holzschrauben (C) direkt an der Aufspannscheibe. Seien Sie vorsichtig bei der Schraubenwahl. Zu lange Schrauben ragen in den Zerspanungsbereich und zu kurze ergeben keine sichere Aufspannung.

Falls keine Schraubenbefestigung zulässig ist kann das Werkstück auch auf eine Trägerscheibe (D) aufgeklebt werden, welche wiederum mit der Aufspannscheibe verschraubt ist.

Mit einem dazwischengeklebten Stück Papier vermeiden Sie Beschädigungen des Werkstücks beim späteren Lösen.

Die Aufspannscheibe zusammen mit dem bereits aufgespannten Werkstück auf die Spindelnase aufschrauben und von Hand festziehen.

Bei Spindel-Gegenlauf, vergewissern Sie sich, dass das Spannmittel gegen Ablaufen gesichert ist. Die radialen Gewindestifte festsetzen.

Bewegen Sie den Reitstock nach rechts, entfernen Sie Mitlaufkörnerspitze oder Bohrfutter um Verletzungen zu vermeiden.

Drehen Sie das Werkstück von Hand und prüfen Sie die sichere Aufspannung und die freie Rotation.

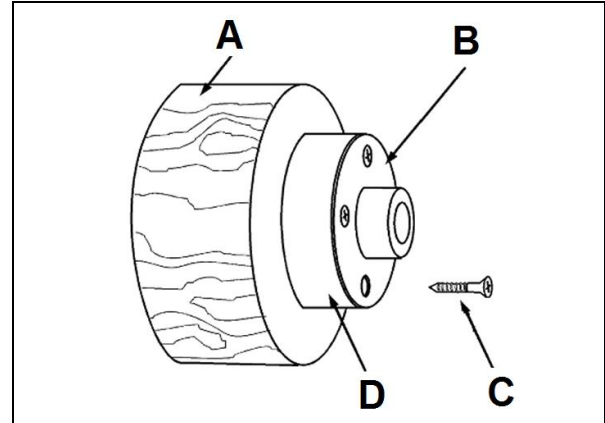


Fig 15

Beim Arbeiten mit der Aufspannscheibe wird die Höhe der Handstahlaufgabe leicht unterhalb der Spitzenhöhe eingestellt.

Achtung: Arbeiten Sie mit dem Drehstuhl nur links von der Drehmitte.

Führen Sie die Drechselröhre mit der linken Hand, während die rechte Hand zum Körper schwingt (Fig 16).

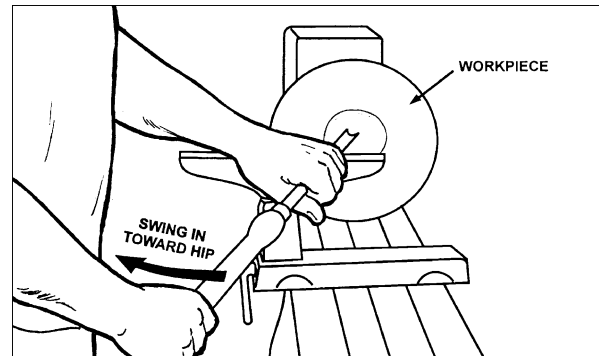


Fig 16

Beginnen Sie die Spanabnahme am Schalenrand und führen Sie die Drechselröhre möglichst in einer durchgängigen Bewegung bis zum Schalengrund.

Versetzen Sie die Handstahlaufgabe nach außen und drechseln Sie die Schalenunterseite fertig.

6.6 Schleifen und Imprägnieren

Entfernen Sie die Handstahlaufgabe.

Beginnen Sie mit einer 120er Körnung und setzen Sie stufenweise feineres Schleifpapier ein.

Verwenden Sie vorzugsweise kraftbetriebene Schleifwerkzeuge um konzentrische Schleifrillen zu vermeiden.

Stoppen Sie bei einer 220er Körnung.

Erste Imprägnierung aufbringen und trocknen lassen.

Fertigschleifen mit 320er oder 400er Körnung.

Das Werkstück mit einem Abstichstahl vom Reststück ansatzweise trennen.

(Unter Durchmesser 80mm mit einer feinen Handsäge durchtrennen).

Zweite Imprägnierung aufbringen und trocknen lassen.

Die Oberfläche fertig polieren.

7. Rüst- und Einstellarbeiten

Allgemeine Hinweise

Vor Rüst- und Einstellarbeiten muss die Maschine gegen Inbetriebnahme gesichert werden.

Netzstecker ziehen!

Kontrollieren Sie vor jedem Maschinenstart, dass alle Griffe und Hebel festgesetzt sind.

7.1 Wechsel des Drehzahlbereichs

Die Stromzufuhr durch Ziehen des Netzsteckers trennen!

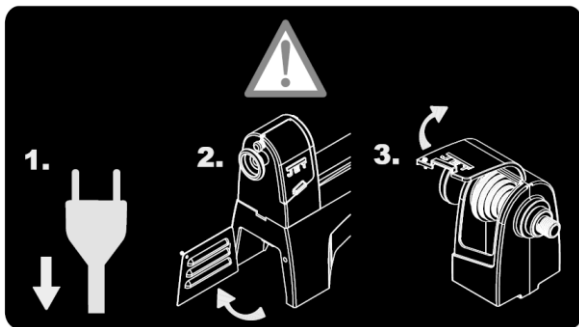


Fig 17

Lösen Sie die Sicherungsschraube und öffnen Sie die untere Riemenabdeckung.

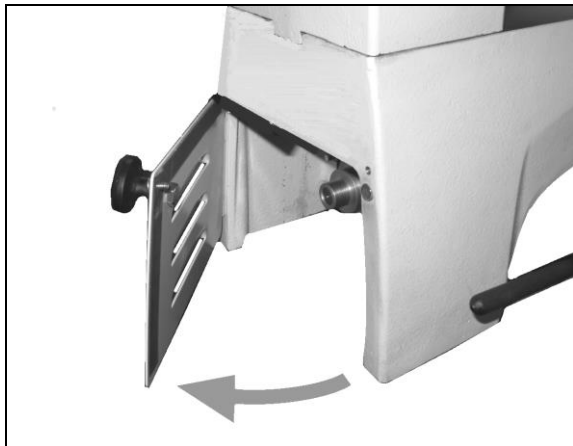


Fig 18

Lösen Sie die Sicherungsschraube und öffnen Sie die obere Riemenabdeckung.

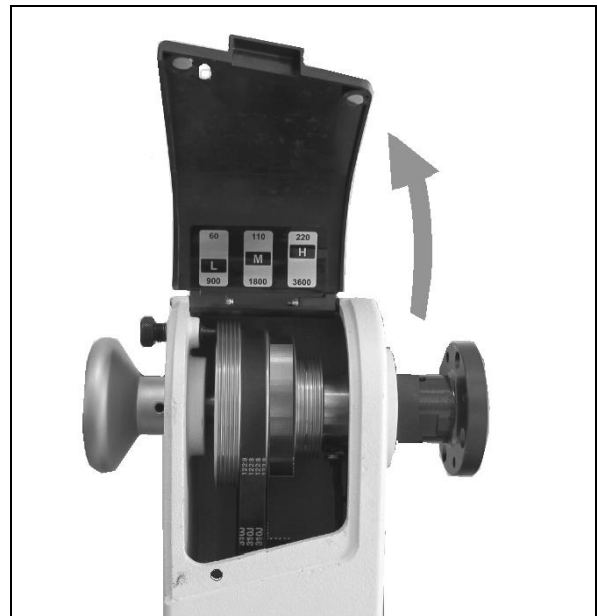


Fig 19

Den Riemen entspannen. Dazu den Indexiergriff (F, Fig 20) lösen und den Motor am Bügel (G) anheben.

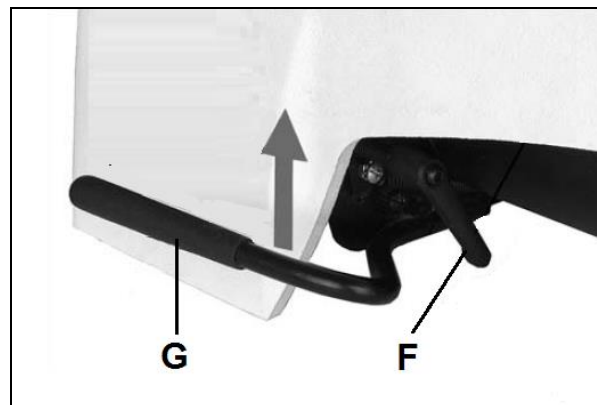


Fig 20

Den Riemen auf der gewünschten Drehzahlstufe auflegen (Drehzahlangabe siehe Riemendeckel).

Die JWL-1015 hat 6 Geschwindigkeiten

| ☺ / min | | | | | |
|---------|-----|------|------|------|------|
| 400 | 700 | 1000 | 1500 | 2200 | 3300 |

Die JWL-1015VS hat 3 Drehzahlbereiche, stufenlos

| ☺ / min | | |
|---------|------|------|
| 200 | 300 | 600 |
| L | M | H |
| 1050 | 1750 | 3600 |

- "hohes Drehmoment" L (200~ 1050 U/min).
- "allgemeiner Gebrauch" M (300~1750 U/min)
- "hohe Drehzahl" H (600~3600 U/min)

Die korrekte Riemenlage beachten.

Spannen Sie den Riemen. Bügel (G) nach unten drücken.

Die Riemendeckel schließen und mit Schraube sichern.

⚠ ACHTUNG
Die Riemendeckel während der Bearbeitung stets geschlossen halten.

7.2 Spannmittel Montage

Die Stromzufuhr durch Ziehen des Netzsteckers trennen.

Die Aufspannscheibe (F, Fig 21) wird zum Drehen von Schüsseln und Tellern verwendet. Es befinden sich eine Vielzahl von Löchern in der Aufspannscheibe um das Werkstück zu befestigen.

Stoppen Sie die Spindel (G) mit dem Ausstoßbolzen (C).

Schrauben Sie die Aufspannscheibe im Uhrzeigersinn auf die Spindel und setzen Sie sie fest.

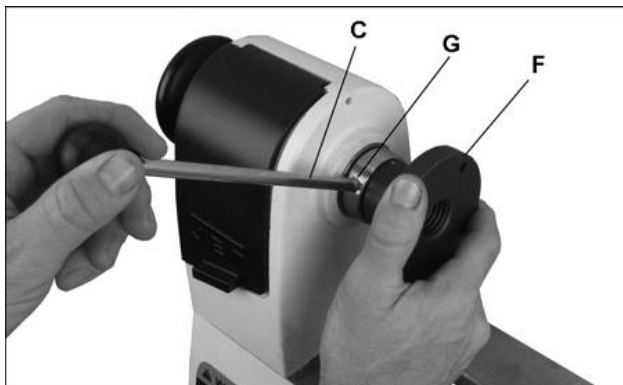


Fig 21

Achtung:

Entfernen Sie den Ausstoßbolzen vor dem Starten der Maschine.

Der Stirnmitnehmer wird verwendet um ein Werkstück zwischen den Spitzen einzuspannen.

Achten Sie darauf dass die Konusflächen sauber sind.

Den Stirnmitnehmer in den Spindelkonus einstecken.



Fig 22

Zur Demontage den Ausstoßbolzen verwenden. Sichern Sie mit der Hand gegen herunterfallen (Fig 23).



Fig 23

Die Mitlaufkörnerspitze wird verwendet um ein Werkstück zwischen den Spitzen einzuspannen.

Achten Sie darauf dass die Konusflächen sauber sind.

Die Mitlaufkörnerspitze in die Reitstockpinole einstecken.



Fig 24

Die Mitlauf-Körnerspitze kann durch Drehen des Handrads im Gegen-Uhrzeigersinn ausgeworfen werden (Fig 24).

7.3 Anpassung der Handstahlauflage

Stellen Sie die Handstahlauflage so nahe an das Werkstück als möglich und fixieren Sie die Position mit dem Hebel (A, Fig 25).

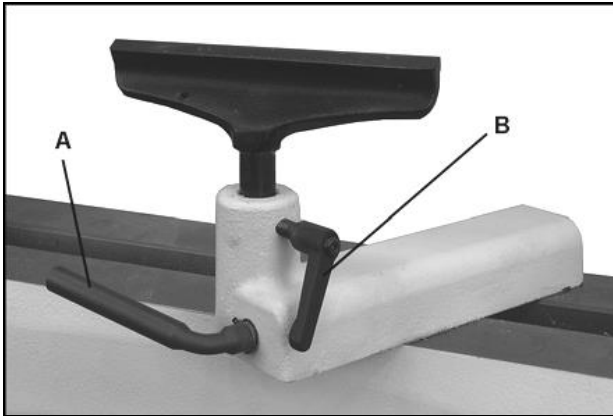


Fig 25

Stellen Sie die Höhe ca. 3mm über die Spitzenhöhe und klemmen Sie den Indexiergriff (B).

7.4 Anpassung des Reitstocks

Drehen Sie das Handrad (E, Fig 26) im Uhrzeigersinn um die Pinole auszufahren und klemmen Sie mit dem Indexiergriff (D).

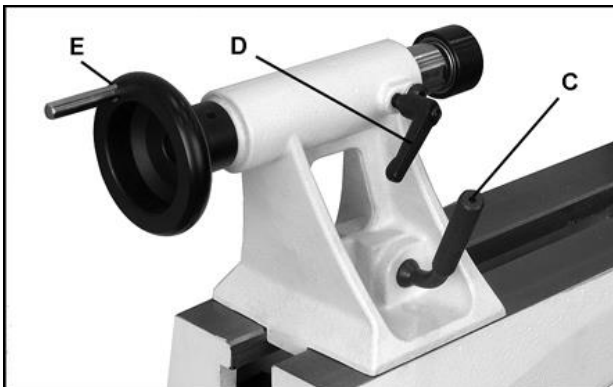


Fig 26

Der Hebel (C) klemmt den Reitstock am Maschinenbett fest.

Die Mitlauf-Körnerspitze kann durch Drehen des Handrads im Gegen-Uhrzeigersinn ausgeworfen werden.

Zum Tieflochbohren kann die Zentrierspitze ausgestoßen werden.

Achtung: Setzen Sie den Reitstock nicht über das Bettende. Dabei reduziert sich der Kontakt, das Risiko einer Verletzung steigt.

7.5 Spindel Teileinrichtung

Die Spindelteilung ermöglicht das Festsetzen der Spindel in gleichmäßigen Abständen.

In der Riemenscheibe befinden sich 24 Bohrungen im Abstand von 15°, in welchen der Indexierstift einrastet.

Die Teilung lässt sich durch Nummern an der Riemenscheibe (H, Fig 27) leicht zuordnen.

Schrauben Sie dazu den Indexierstift (J) in den Spindelstock. Bis er in einem der Löcher (I) gut fest sitzt.

Hinweis:

Es kann auch ein 3mm Inbusschlüssel (K) verwendet werden.

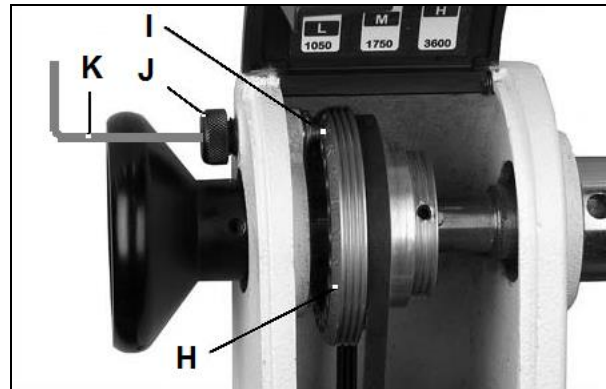


Fig 27

Achtung:

Lösen Sie den Indexierstift bevor Sie die Maschine einschalten.

Drücken Sie niemals den Indexstift, während sich die Spindel dreht.

8. Wartung und Inspektion

Allgemeine Hinweise

Vor Wartungs- Reinigungs- und Reparaturarbeiten muss die Maschine gegen Inbetriebnahme gesichert werden. Netzstecker ziehen!

Reinigen Sie die Maschine in regelmäßigen Zeitabständen. (Augen und Atemschutz tragen).

Prüfen Sie die ausreichende Funktion der Absaugung.

Schützen Sie Spindel, Reitstockpinole, Handstahlauflage und Maschinenbett mit einem dünnen Ölfilm oder einem Anti-Korrosionsspray.

Beschädigte Sicherheitseinrichtungen sofort ersetzen.

Anschlüsse und Reparaturen der elektrischen Ausrüstung dürfen nur von einer Elektrofachkraft durchgeführt werden.

8.1 Klemmexzenter Einstellung

Falls eine Anpassung erforderlich ist, schieben Sie Reitstock oder Handstahlauflage an das Bettende und stellen Sie die Mutter (B, Fig 28) geringfügig nach.

Testen Sie die Klemmfunktion und wiederholen Sie, falls erforderlich.

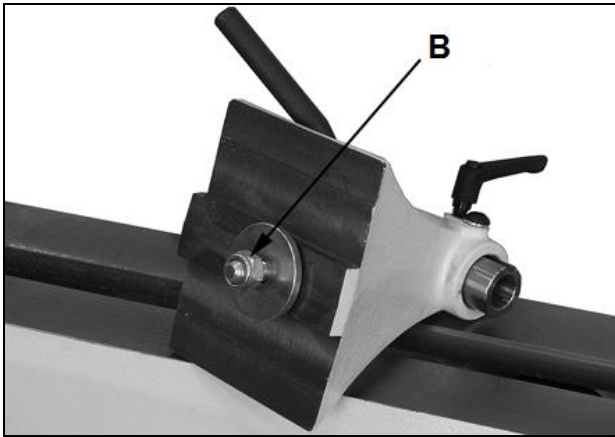


Fig 28

8.2 Prüfung der Motorbürsten (nur JWL-1015VS)

Die Stromzufuhr durch Ziehen des Netzsteckers trennen.

Eine stark verschlissene oder beschädigte Bürste kann zu Motorschaden führen.

Prüfen Sie regelmäßig den Zustand der Bürsten, welche sich zu beiden Seiten des Motors befinden.

Schrauben sie die Abdeckkappe weg und ziehen sie die Bürste heraus.

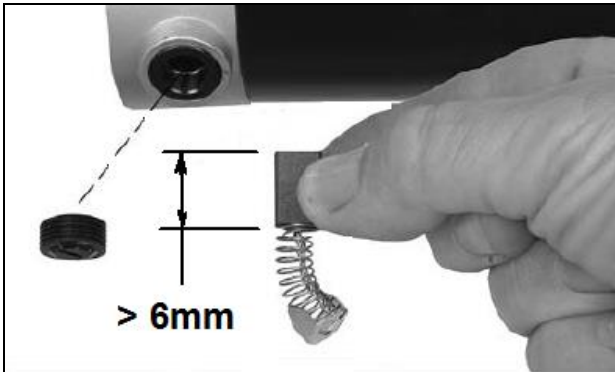


Fig 29

Tauschen sie die beiden Bürsten, falls Länge unter 6mm beträgt oder falls beschädigt.

(Artikel Nr.: JWL1015VS-MCB.....Bürste mit Abdeckkappe, 2 Stück erforderlich)

Montieren Sie die Bürsten und Abdeckkappen.

8.3 Riemenwechsel

Die Stromzufuhr durch Ziehen des Netzsteckers trennen.

Riemenabdeckungen öffnen, den Poly-V-Riemen von der Motorriemenscheibe abnehmen.

Das Handrad nach dem Lösen der 2 Gewindestifte (A, Fig 30) entfernen.

Achtung: Linksgewinde, drehen sie im Uhrzeigersinn.

Lösen sie die zwei Gewindestifte (B) der Riemenscheibe.

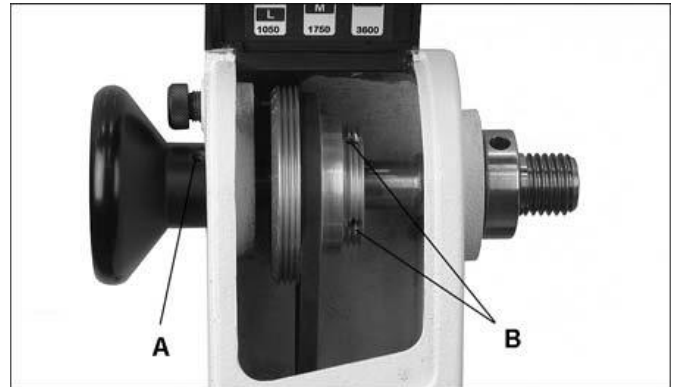


Fig 30

Mit Hilfe eines Gummihammers die Spindel Richtung Reitstock hämmern. (Es kann auch ein Stück Hartholz oder Messingstück als Triebfling verwendet werden).

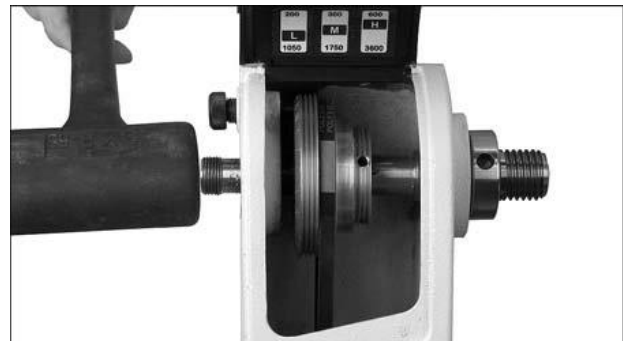


Fig 31

Nur so weit bis Riemen entfernt werden kann.

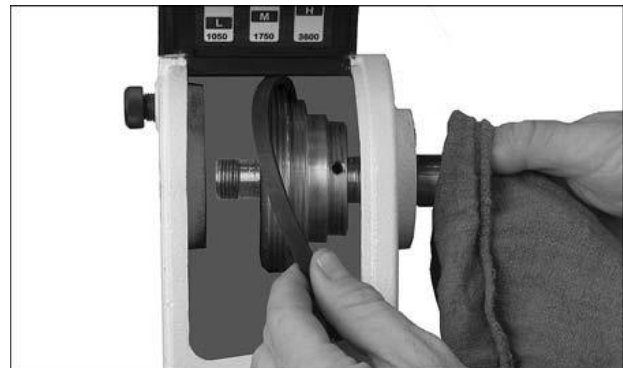


Fig 32

Der Zusammenbau erfolgt in umgekehrter Reihenfolge.

Hinweis:

Um Überlastung der Lager zu vermeiden, das Handrad nicht zu stark festziehen.

Das Handrad am Lager anstellen, danach wieder etwas zurückdrehen und mit den Gewindestiften fixieren.

9. Störungsabhilfe

Motor hat keine Leistung

- *Netz überlastet-
Stromversorgung prüfen.
- *Kabelquerschnitt zu schwach-
Zuleitung prüfen

Motor stoppt oder startet nicht

- *Kein Strom-
Netzsicherung prüfen.
- *Motor, Platine, Schalter oder Kabel defekt-
Elektrofachkraft kontaktieren.
- *Überlastschutz an Platine hat reagiert (nur JWL-1015VS)-
Neustart nach Pause, niedrige Riemenstufe (200-1050 U/min) anwählen für mehr Drehmoment.
- *Zu schwere Zerspanung-
Span reduzieren.
- *Unzureichende Riemenspannung-
Riemen spannen, Riemen tauschen

Starke Maschinenvibrationen

- *Maschine steht uneben-
Ausgleich schaffen.
- *Das Werkstück ist schlecht zentriert-
- *Die Drehzahl ist zu hoch-
- *Motor Montage ist lose-

Reitstock verschiebt sich unter Last

- *Bettklemmung unzureichend-
Mutter nachstellen (siehe Kapitel 8.1)
- *Bett/ Reitstockflächen sind fettig-
Entfetten und Rostschutz neu aufbringen

Drehstahl verbeisst sich ins Holz

- *Schneide ist stumpf-
Regelmässig nachschärfen.
- *Handstahlauflage zu nieder eingestellt-
In der Höhe neu anpassen.
- * Handstahlauflage zu weit vom Werkstück entfernt-
Näher zum Werkstück anpassen.
- *Falscher Drehstahl verwendet-
Zur Bearbeitung passendes Werkzeug verwenden

Nur für JWL-1015VS:

“Rote” LED leuchtet

- *Überlast auf Leistungsplatine hat reagiert-
Span reduzieren.
- *Übertemperatur am Kühlkörper der Leistungsplatine-
Span reduzieren.
- *Spindel-Teileinrichtung blockiert-
Indexierstift lösen.

“Grüne” und “Rote” LED leuchten gemeinsam

- *Motorkabel ist ausgesteckt-
Steckverbindung unter dem Maschinenbett prüfen
- *Motor Kohlebürsten verschlissen oder beschädigt-
Bürsten tauschen
- *Motor verschlissen-
Motor tauschen.

*Fehler auf Leistungsplatine-
Elektrofachkraft konsultieren / Platine tauschen.

10. Umweltschutz

Schützen Sie die Umwelt!

Ihr Gerät enthält mehrere unterschiedliche, wiederverwertbare Werkstoffe. Bitte entsorgen Sie es nur an einer spezialisierten Entsorgungsstelle.

11. Verfügbares Zubehör

Artikel Nummer 719101

Bettverlängerung 530mm (Fig 33)



Fig 33

Artikel Nummer 719102

Maschinen Untersatz (Fig 34, Fig 35)



Fig 34

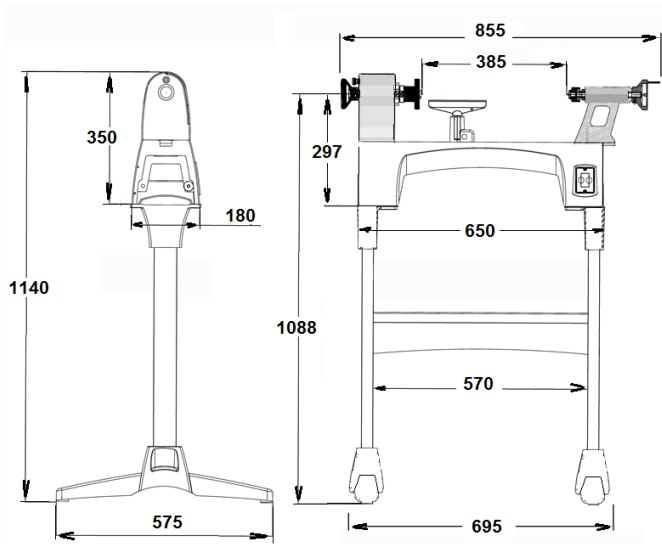


Fig 35

Artikel Nummer 719103

Maschinenuntersatz Verlängerung 530mm (Fig 36)



Fig 36

Werkzeuge und Spannmittel siehe JET-Preisliste

FR - FRANÇAIS

Mode d'emploi

Cher client,

Nous vous remercions de la confiance que vous nous portez avec l'achat de votre nouvelle machine JET. Ce manuel a été préparé pour l'opérateur du **tour à bois JWL-1015, JWL-1015VS**. Son but, mis à part le fonctionnement de la machine, est de contribuer à la sécurité par l'application des procédés corrects d'utilisation et de maintenance. Avant de mettre l'appareil en marche, lire les consignes de sécurité et de maintenance dans leur intégralité. Pour obtenir une longévité et fiabilité maximales de votre tour, et pour contribuer à l'usage sûr de la machine, veuillez lire attentivement ce mode d'emploi et suivre les instructions.

...Table des matières

1. Déclaration de conformité

2. Prestations de garantie

3. Sécurité

Utilisation conforme
Consignes de sécurité
Risques

4. Spécifications

Description de la machine
Données techniques
Emission de bruit
Contenu de la livraison

5. Transport et mise en service

Transport et installation
Montage
Racc. électrique
Racc.au collecteur de poussières
Première mise en service

6. Fonctionnement de la machine

Position correcte de travail
Choix des outils
Choix de la vitesse de rotation
Tournage entre les pointes
Tournage des formes creuses
Ponçage et finition

7. Réglages

Changement des vitesses
Installation du dispositif de fixation
Réglage du porte-outil
Réglage de la contre-poupée
Divisions de la broche de la poupée fixe

8. Entretien et contrôle

Réglage du serrage du banc
Inspection des balais du moteur
Changement de la courroie et des paliers

9. Détecteur de pannes

10. Protection de l'environnement

11. Accessoires

1. Déclaration de conformité

Nous déclarons par le présent et sous notre seule responsabilité que ce produit est conforme aux dispositions des directives* listées en page 2 et fabriqué conformément aux normes**.

2. Prestations de garantie

Le vendeur garantit que le produit livré est exempt de défauts de matériel et de fabrication. La présente garantie ne s'applique pas aux défauts résultant d'une utilisation directe ou indirecte incorrecte, de l'inattention, d'un accident, d'une réparation, d'une maintenance ou d'un nettoyage insuffisant, ou encore de l'usure normale.

Il est possible de faire valoir des prétentions en garantie dans les 12 mois suivant la date de la vente (date de la facture). Toute autre prétention est exclue.

La présente garantie comprend toutes les obligations de garantie incombant au vendeur et remplace toutes les déclarations et conventions antérieures en termes de garanties.

Le délai de garantie s'applique pour une durée d'exploitation de huit heures par jour. Au-delà, le délai de garantie diminue proportionnellement au dépassement, mais pas en deçà de trois mois.

Le renvoi d'une marchandise faisant l'objet d'une réclamation requiert l'accord préalable exprès du vendeur et s'effectue aux frais et aux risques de l'acheteur.

Les prestations de garantie détaillées figurent dans les Conditions générales (CG). Ces dernières sont disponibles sur www.jettools.com ou peuvent être envoyées par la poste sur demande.

Le vendeur se réserve le droit de modifier à tout moment le produit et les accessoires.

3. Sécurité

3.1 Utilisation conforme

Cette mortaiseuse convient au mortaisage du bois et des dérivés du bois. Le travail d'autres matériaux est interdit et ne peut être effectué que dans des cas spéciaux et après accord du fabricant de la machine.

La pièce doit pouvoir être posée et serrée sans problèmes.

L'utilisation conforme implique le strict respect des instructions de service et de maintenance indiquées dans ce manuel.

La machine doit être exclusivement utilisée par des personnes familiarisées avec le fonctionnement, la maintenance et la remise en état, et qui sont informées des dangers correspondants.

L'âge requis par la loi est à respecter.

Toutes les directives relatives à la prévention des accidents ainsi que les consignes de sécurité doivent être respectées scrupuleusement.

En cas d'utilisation non-conforme de la machine, le fabricant décline toute responsabilité qui est en tel cas rejetée exclusivement sur l'utilisateur.

3.2 Consignes de sécurité

L'utilisation non-conforme d'une mortaiseuse peut être très dangereux.



C'est pourquoi vous devez lire attentivement ce mode d'emploi avant de monter ou d'utiliser votre appareil.



Conserver à proximité de la machine tous les documents fournis avec l'outillage (dans une pochette en plastique, à l'abri de la poussière, de l'huile et de l'humidité) et veiller à joindre cette documentation si vous cédez l'appareil.

Ne pas effectuer de modification à la machine. Utiliser les accessoires recommandés, des accessoires incorrects peuvent être dangereux.

Contrôler chaque jour avant d'utiliser la machine les dispositifs de protection et le fonctionnement impeccable.

En cas de défauts à la machine ou aux dispositifs de protection avertir les personnes compétentes et ne pas utiliser la machine. Déconnecter la machine du réseau.

Avant de mettre la machine en marche, retirer cravate, bagues, montres ou autres bijoux et retrousser les manches jusqu'aux coudes. Enlever tout vêtement flottant et nouer les cheveux longs.

Porter des chaussures de sécurité, surtout pas de tenue de loisirs ou de sandales.

Porter un équipement de sécurité personnel pour travailler à la machine.

- des lunettes protectrices,
- une protection acoustique
- une masque anti poussières.



Ne pas porter de gants.



Placer la machine de sorte à laisser un espace suffisant pour la manoeuvre et le guidage des pièces à usiner.

Veiller à un éclairage suffisant.

Placer la machine sur un sol stable et plat.

S'assurer que le câble d'alimentation ne gêne pas le travail ni risque de faire trébucher l'opérateur.

Conserver le sol autour de la machine propre, sans déchets, huile ou graisse.

Ne jamais mettre la main dans la machine pendant le travail.

Prêter grande attention à votre travail et rester concentré.

Eviter toute position corporelle anormale.

Veiller à une position stable et garder un bon équilibre à tout moment.

Ne pas travailler sous l'influence de drogues, d'alcool ou de médicaments.



Ne jamais mettre la main dans la machine pendant le travail.



Eloigner de la machine toutes personnes incompetentes surtout les enfants.

Ne jamais laisser la machine en marche sans surveillance. Arrêter la machine avant de quitter la zone de travail.

Ne pas mettre la machine à proximité de liquides ou de gaz inflammables.

Préserver la machine de l'humidité et ne jamais la mettre sous la pluie.

Retirer les clous et autres corps étrangers de la pièce avant de débiter l'usinage.

Travailler seulement avec des outils bien aiguisés.

Seulement usiner une pièce, qui se laisse bien poser sur la table.

Ne jamais travailler avec les couvercles des mandrins de perceuse ouverts.

Se tenir aux spécifications concernant la dimension maximale ou minimale de la pièce à usiner.

Ne pas enlever les copeaux et les pièces usinées avant que la machine ne soit à l'arrêt.

Ne pas se mettre sur la machine.

Tous travaux de branchement et de réparation sur l'installation électrique doivent être exécutés uniquement par un électricien qualifié.



Remplacer immédiatement tout câble endommagé ou usé.

Faire tous les travaux de réglage ou de maintenance seulement après avoir débranché la machine du réseau.



3.3 Risques

Même en respectant les directives et les consignes de sécurité les risques suivants existent.

Risque de blessures par la pièce en rotation.

Les pièces non homogènes peuvent exploser en raison de la force centrifuge.

N'utiliser que des bois choisis sans défauts.

Des pièces déséquilibrées cachent un risque de blessures.

Danger de blessures par un travail incertain, un support monté inexactement et un outil de tournage défectueux ou usé.

Danger d'éjection. L'outil se fait accrocher par la pièce en rotation et est éjecté contre l'utilisateur.

Danger de pièces éjectées.

Risque de nuisances par poussières de bois, copeaux et bruit.

Porter des équipements de sécurité personnels tels que lunettes, cache-visage pour travailler à la machine. Utiliser un collecteur de poussières! Veiller à une bonne aération.

Danger par câble électrique endommagé, usé ou mal branché.

4. Spécifications de la machine

4.1 Description de la machine

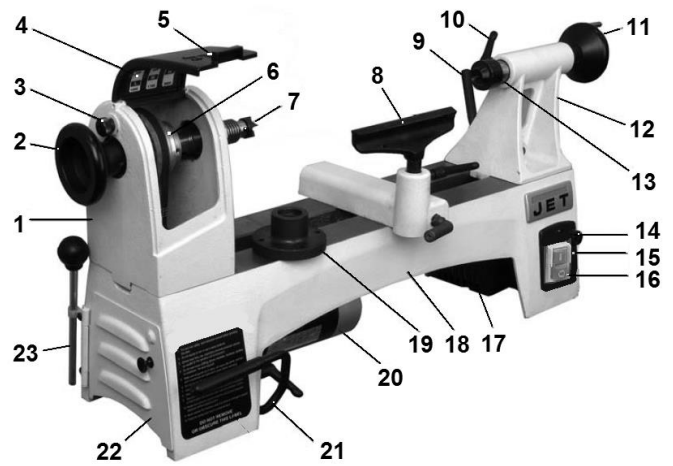


Fig 1 (JWL-1015VS)

- 1 Corps de poupée fixe
- 2 Volant de la broche
- 3 Dispositif diviseur de la broche
- 4..Affichage du nombre de tours
- 5..Cache-courroie supérieur
- 6 Poulie à courroie de la broche
- 7 Pointe de centrage
- 8 Support d'outil
- 9 Levier de serrage de contre-poupée
- 10 Fixation broche de contre-poupée
- 11 Volant de contre-poupée
- 12..Contre-poupée
- 13 Contre-pointe tournante
- 14 Régulateur de vitesse (Potentiomètre) seulement JWL-1015VS
- 15 Affichage LED ... seulement sur la JWL-1015VS
- 16 Bouton marche/arrêt
- 17..Boîtier de la platine de commande
- 18 Châssis de la machine
- 19 Plaque de fixation
- 20 Moteur
- 21 Tendeur de courroie
- 22 Cache-courroie inférieur
- 23 Éjecteur

4.2 Indications techniques

| | |
|--|-----------------|
| Diamètre de tour au-dessus de la feuille | 254mm |
| Diamètre de tour au-dessus porte-outils | 186mm |
| Ecartement des pointes | 385mm |
| Nez de broche | M33x3,5 DIN 800 |
| Conicité de la broche de la poupée fixe | CM2 |
| Division de l'arbre | 24x15° |
| Alésage broche | 9,5mm |
| Contre-poupée en cône | CM2 |
| Fourreau de contre-poupée avec perçage | 9,5mm |
| Course du canon de contre-poupée | 50mm |
| Hauteur des pointes sur le banc | 297mm |
| Largeur châssis de la machine | 127mm |
| Dimensions de la machine(LxIxH) | 885x300x370mm |

| | |
|-------------------------------|-----------------------|
| Voltage | 1~230V, PE, 50Hz |
| Puissance | 0,37 kW (0,5 CV) |
| Courant électrique | 2,5 A |
| Raccordement (H07RN-F): | 3x1,5 mm ² |
| Fusible du secteur électrique | 10A |
| Classe d'isolation | I |

JWL-1015:

| | |
|---------------------|--|
| Niveaux de courroie | 6 |
| | 400, 700, 1000, 1500, 2200, 3300 T/min |
| Poids net | 35 kg |

JWL-1015VS:

| | |
|---------------------|------------------|
| Niveaux de courroie | 3 |
| Plage de vitesse L | 200 - 1050 T/min |
| Plage de vitesse M | 300 - 1750 T/min |
| Plage de vitesse H | 600 - 3600 T/min |
| Poids net | 33 kg |

4.3 Emission de bruit

Niveau de pression sonore
(EN ISO 11202):

| | |
|----------------|----------------|
| Machine à vide | LpA 67,4 dB(A) |
| Usinage | LpA 76,5 dB(A) |

Les indications données sont des niveaux de bruit et ne sont pas forcément les niveaux pour un travail sûr.

Ainsi l'utilisateur doit estimer les dangers et les risques possibles.

4.4 Contenu de la livraison

Contre-pointe tournante
Pointe d'entraînement
Éjecteur
Support d'outil 150 mm
Plateau circulaire 75 mm
Mode d'emploi
Liste pièces de rechange

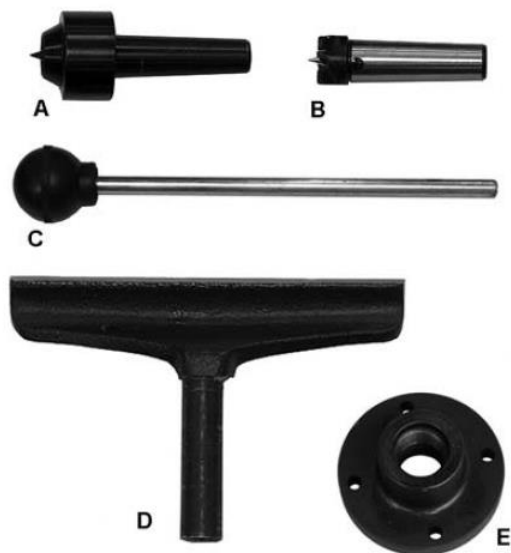


Fig. 2

5. Transport et mise en service

5.1 Transport et installation

Effectuer le montage de la machine dans un local fermé. Placer la machine sur une surface stable et plate.

Pour assurer un travail en toute sécurité sur la machine, il faut qu'elle soit vissée à l'établi ou au socle fourni en option.

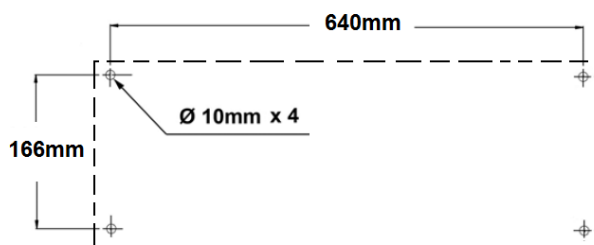


Fig 3

Pour des raisons techniques d'emballage la machine n'est pas complètement montée.

5.2 Montage

Avertir immédiatement votre vendeur si vous constatez des pièces endommagées par le transport et ne pas monter la machine.

Éliminer l'emballage en respectant l'environnement.

Enlever la protection antirouille avec un dissolvant.

5.3 Raccordement électrique

Le raccordement ainsi que les rallonges utilisées doivent correspondre aux instructions.

Le voltage et la fréquence doivent être conformes aux données inscrites sur la machine.

Le fusible de secteur électrique doit avoir 10A.

Utiliser pour le raccordement des câbles H07RN-F.

Tous travaux de branchement et de réparation sur l'installation électrique doivent être exécutés uniquement par un électricien qualifié.

5.4 Raccordement au collecteur de poussières

Utilisez un système de récupération des poussières et de filtration de l'air adapté pour éviter une concentration importante de poussières dans l'air.

5.5 Mise en service

Mettre la machine en route avec le bouton vert (D, Fig 4).

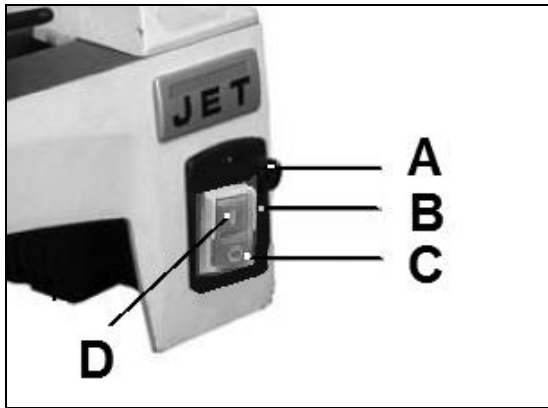


Fig 4

Pour arrêter le mouvement appuyer sur le bouton d'arrêt rouge (C).
Attendre jusqu'à ce que la pièce d'œuvre ne tourne plus.

Seulement JWL-1015VS :

Il est possible de choisir la vitesse de rotation souhaitée en continu au moyen de la poignée tournante (A).

3 plages de vitesses de rotation sont disponibles par déplacement de la courroie.

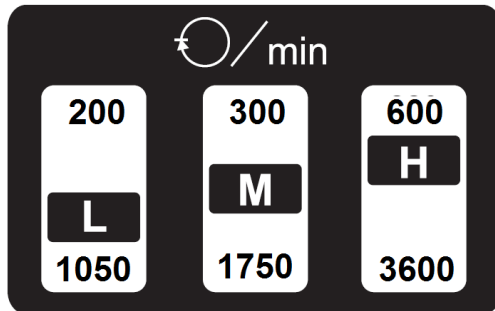


Fig 5

- "couple élevé" L (200~ 1050 T/min).
- "usage courant" M (300~1750 T/min)
- "vitesse élevée" H (600~3600 T/min)

Attention:

Avant de mettre la machine en marche, positionner chaque fois la poignée tournante (A) sur la position la plus lente. Ne jamais mettre la machine en marche avec la vitesse la plus élevée.

L'affichage LED (B) est « vert » en position normale de travail.
L'affichage LED (B) est « rouge » en cas de surcharge.
L'affichage LED (B) est « rouge » et « vert » en cas d'erreur
....voir au chapitre 9.

6. Fonctionnement de la machine

Les informations suivantes donnent des connaissances de base. Rien ne peut remplacer un cours de tournage ou le savoir acquis par dialogue avec des tourneurs expérimentés. La littérature technique est un précieux moyen supplémentaire d'acquérir des connaissances

6.1 Position correcte de travail

Toujours mener l'outil de tournage posé sur le support d'outil. Garder les doigts fermés et s'appuyer avec la main sur le support (Fig. 8).

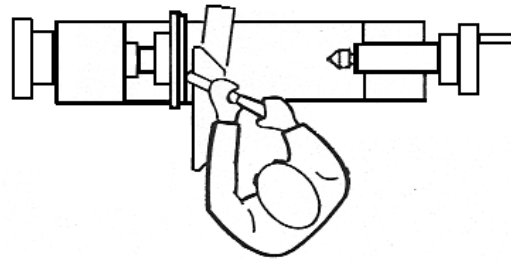
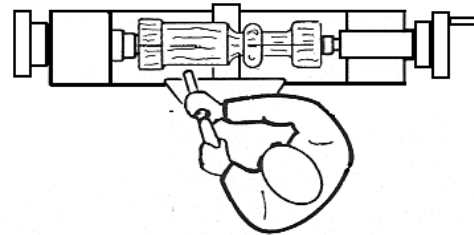


Fig 6

6.2 Choix des outils

Le succès du tournage ne dépend pas des grandes vitesses, mais de l'utilisation conforme des outils de tournage.

Une condition pour un tournage correct est un outil impeccable et aiguisé.

Les outils principaux

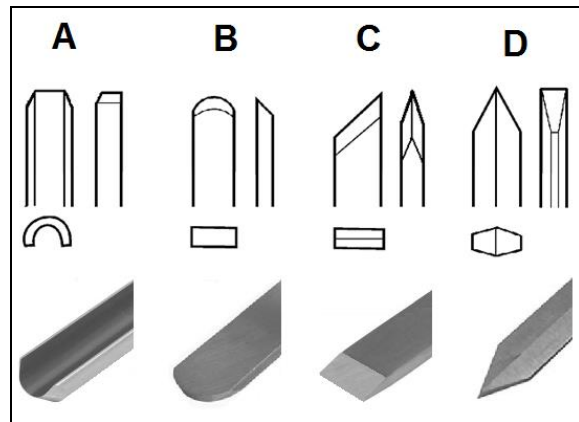


Fig 7

La gouge (A, Fig. 7), Outil le plus important, il sert au dégrossissage, au creusage des bols et assiettes et au tournage de rétrécissements (Fig. 8).

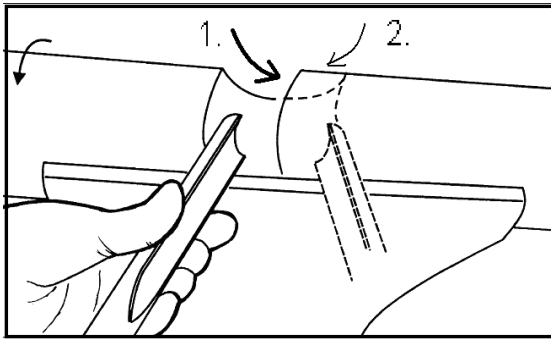


Fig. 8

Le racloir (B, Fig. 7). Sert au calibrage intérieur et extérieur et à l'élimination des stries d'usinage.

Le biseau (C, Fig. 7). Sert au tournage de rainures en V et au calibrage extérieur.
Tenir le tranchant parallèlement au sens de la coupe (Fig. 9).

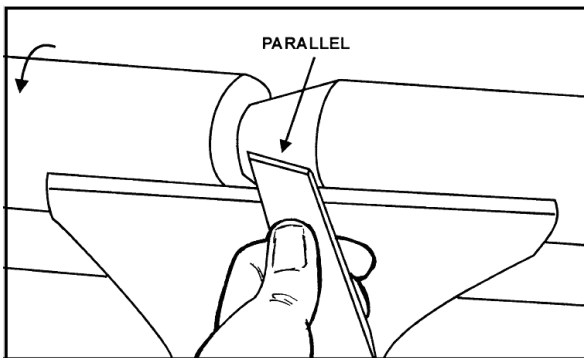


Fig 9

Le piquet (D, Fig. 7). Sert au travail direct dans la pièce d'œuvre, par ex. pour détalonner et pour délimiter. Il peut aussi servir de racloir.

6.3 Sélection de la vitesse

Ne travailler les pièces grosses ou les pièces non équilibrées qu'avec des vitesses lentes.

En cas de vibrations arrêter la machine et corriger le problème

Respecter les vitesses conseillées.

Recommandations pour la vitesse

| Pièce mm | Dégrossir T/min | Coupes générales T/min | Finition T/min |
|----------|-----------------|------------------------|----------------|
| < 50 | 1500 | 2200 | 3300 |
| 50-100. | 700 | 1500 | 2200 |
| 100-150 | 500 | 1000 | 1500 |
| 150-200 | 400 | 700 | 1000 |
| 200-250 | 300 | 400 | 700 |

Fig 10

6.4 Tournage entre pointes

Marquer et poinçonner les 2 extrémités de la pièce. Pour les bois durs, il se peut que des entailles du côté de la poupée fixe soient nécessaires (voir Fig. 11).

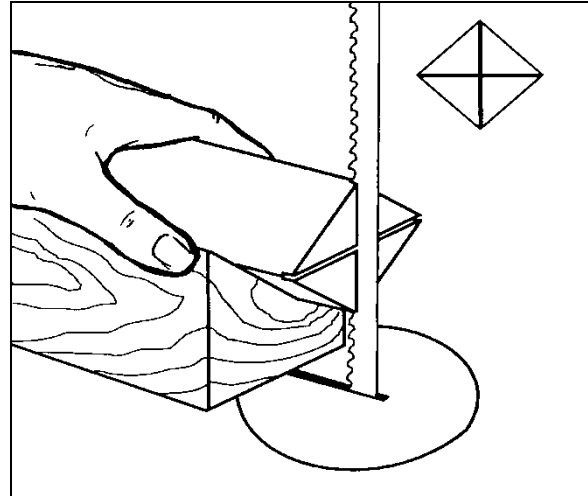


Fig. 11

Serrer la pièce centrée entre la pointe de centrage et la contre-pointe tournante de la contre-poupée.

Tourner le volant de la contre-poupée jusqu'à ce que la contre-pointe tournante soit bien introduite dans la pièce. Retourner le volant en sens inverse d'un quart de tour et serrer le fourreau de contre-poupée.

Tourner la pièce à la main et contrôler la fixation et la rotation impeccable.

Pour un travail entre les pointes ajuster la hauteur du support-outil env. 3 mm au-dessus de la hauteur des pointes (Fig. 12 et 13).

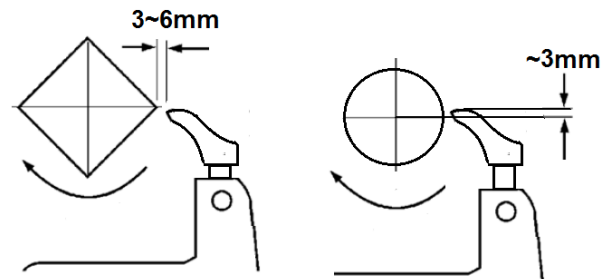


Fig 12



Abb. 13

6.5 Tournage des formes creuses

Tourner le contour extérieur entre les pointes.

Le tournage d'une petite cheville (A, Fig. 14) du même diamètre intérieur que le plateau circulaire facilite le positionnement central de la pièce d'œuvre lors de la 2e fixation.

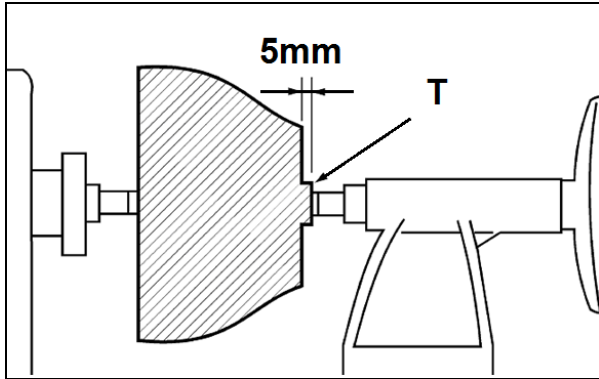


Fig. 14

Fixer la pièce à usiner (A, Fig. 15) avec 4 vis à bois (C) par derrière directement sur le plateau circulaire. Bien choisir les vis. Des vis trop longues débordent dans la zone de travail et des vis trop courtes ne garantissent pas une bonne fixation.

Si la fixation par vis n'est pas possible, la pièce peut également être collée sur un support circulaire (D) pouvant être vissé sur le plateau circulaire.

En collant du papier entre les deux, vous évitez d'endommager la pièce en la retirant après.

Visser le plateau circulaire, sur lequel la pièce est déjà fixée, sur le nez de broche et serrer à la main.

En cas d'inversion du sens de rotation de la broche, s'assurer que les vis sans tête du plateau circulaire ou du mandrin sont bien serrées.

Faire bouger la contre-poupée vers la droite, retirer la contrepointe tournante ou le mandrin pour éviter tous risques de blessures.

Tourner la pièce à la main et contrôler la fixation et la rotation impeccable.

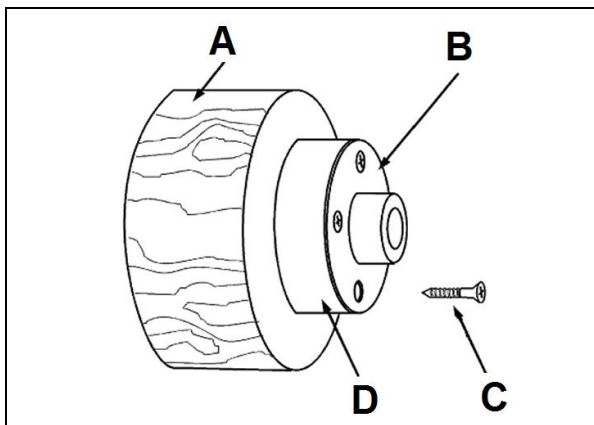


Fig 15

Pour un travail avec le plateau circulaire, ajuster la hauteur du support-outil légèrement en dessous de la hauteur des pointes.

Attention:

Ne travailler avec l'outil de tournage que sur la partie gauche du centre de rotation.

Conduire la gouge avec la main gauche pendant que la main droite oscille vers le corps (Fig. 16).

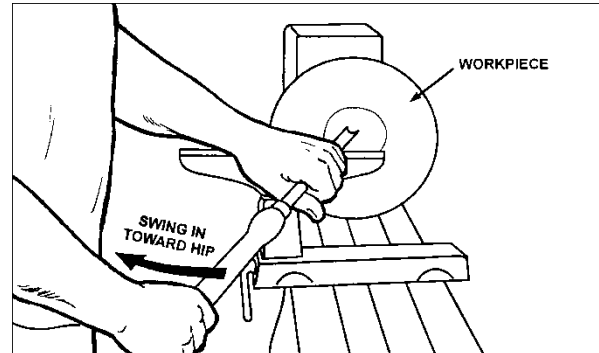


Fig 16

Essayez le plus possible de tourner d'un seul mouvement léger et continu du bord vers le fond du bol pour obtenir une courbe nette et lisse.

Déplacez le support d'outil vers l'extérieur pour finaliser le tournage du fond du bol.

6.6 Poncer et imprégner

Retirer le support d'outil.

Commencer le travail avec du grain 120 puis utiliser du grain de plus en plus fin.

Utiliser de préférence des outils de ponçage mécaniques afin d'éviter des rainures concentriques,

Arrêter le travail avec le grain 220.

Imprégner une 1ère fois et laisser sécher.

Terminer le ponçage avec le grain 320 ou 400.

Séparer peu à peu la pièce de la cheville avec un ciseau. (pour les diamètres inférieurs à 80 mm, utiliser une petite scie à main).

Imprégner une 2e fois et laisser sécher.

Terminer le polissage de la surface.

7. Réglages

Attention

Faire tous les travaux de maintenance ou de réglage après avoir débranché la machine du réseau.

Avant de mettre la machine en marche, contrôler chaque fois que les poignées et les leviers sont bien serrés.

7.1 Changement de la plage de vitesses

Déconnecter la machine du réseau.

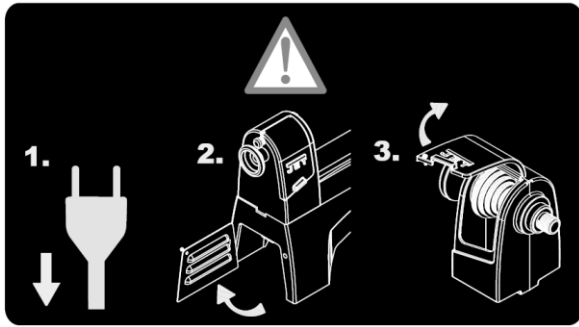


Fig 17

Desserrer la vis de sécurité et ouvrir le cache-courroie inférieur

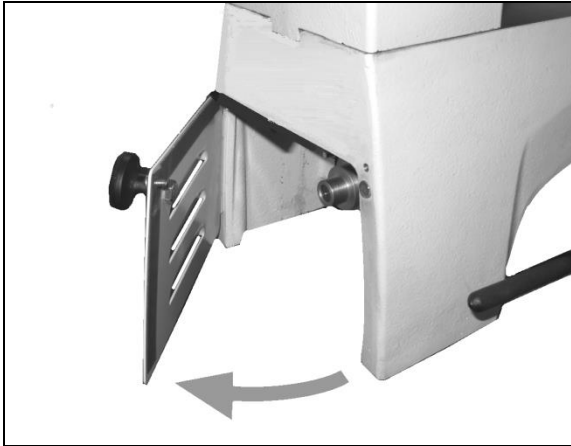


Fig 18

Desserrer la vis de sécurité et ouvrir le cache-courroie supérieur

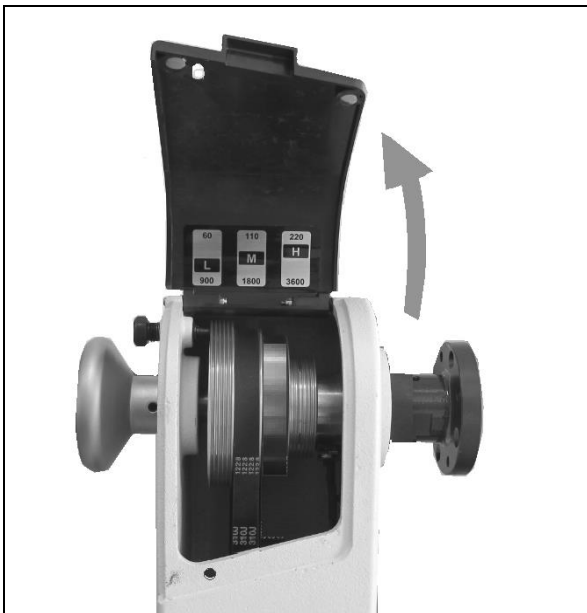


Fig 19

Détendre la courroie. Pour cela, tirer sur la poignée (F, Fig 20) et soulever le moteur avec le levier (G).

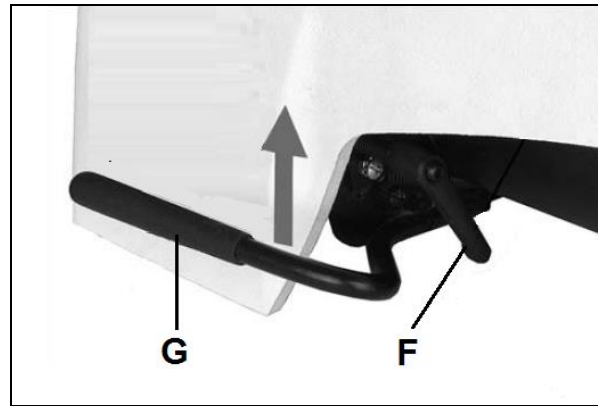


Fig 20

Positionner la courroie à la vitesse souhaitée (Indication des vitesses voir le cache-courroie).

La JWL-1015 a 6 vitesses

| ⚙️ / min | | | | | |
|----------|-----|------|------|------|------|
| 400 | 700 | 1000 | 1500 | 2200 | 3300 |

La JWL-1015VS a 3 plages de rotation, réglable en continu

| ⚙️ / min | | |
|----------|------|------|
| 200 | 300 | 600 |
| L | M | H |
| 1050 | 1750 | 3600 |

- "couple élevé" L (200~ 1050 T/min).

- "usage courant" M (300~1750 T/min)

- "vitesse élevée" H (600~3600 T/min)

Contrôler la position correcte de la courroie.

Tendre la courroie. Pousser le levier (G) vers le bas.

Fermer les cache-courroies et sécuriser avec des vis.



ATTENTION

Pendant l'usage, toujours tenir le cache courroie fermé.

7.2 Installation du dispositif de fixation

Déconnecter la machine du réseau.

Le plateau circulaire (F, Fig 21) sert au tournage des bols et des assiettes.

De nombreux trous y sont percés afin de fixer la pièce d'œuvre.

Arrêter la broche (G) avec l'éjecteur (C).

Visser le plateau circulaire sur la broche dans le sens des aiguilles d'une montre et le bloquer.

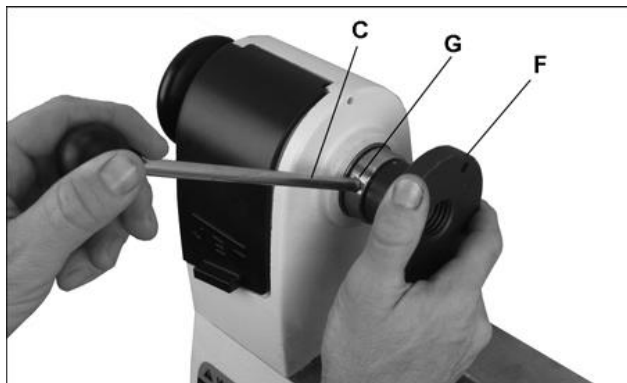


Fig 21

Attention:

Retirer l'éjecteur avant de démarrer la machine.

La pointe de centrage est utilisée pour serrer une pièce entre les pointes.

Vérifier que les surfaces coniques sont propres.

Introduire la pointe de centrage dans le cône de broche.



Fig 22

Pour le démontage, utiliser l'éjecteur.

Tenir la pointe de centrage avec la main pour qu'elle ne tombe pas (Fig 23).



Fig 23

La contrepointe tournante est utilisée pour serrer une pièce entre les pointes.

Vérifier que les surfaces coniques sont propres.

Introduire la contrepointe tournante dans la broche de contre-poupée.



Fig 24

La contrepointe tournante peut être éjectée en tournant le volant dans le sens inverse des aiguilles d'une montre (Fig 24).

7.3 Réglage du support-outil

Positionnez le support-outil aussi près que possible de la pièce et fixer la position avec la poignée (A, Fig 25).

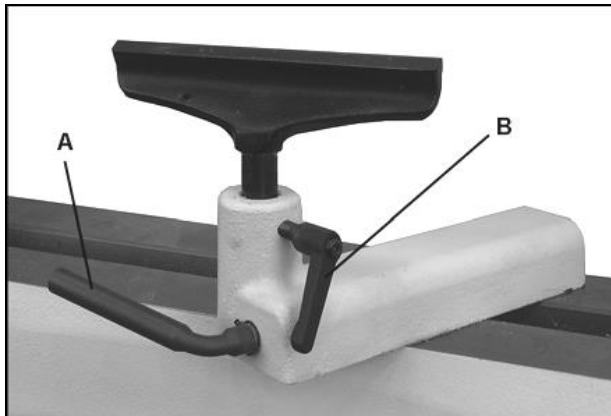


Fig 25

Ajuster la hauteur env. 3mm au-dessus de la hauteur des pointes et fixer par le levier de serrage (B).

7.4 Réglage de la contre-poupée

Tourner le volant (E, Fig. 26) dans le sens des aiguilles d'une montre pour sortir le fourreau et bloquer le levier de serrage (D).

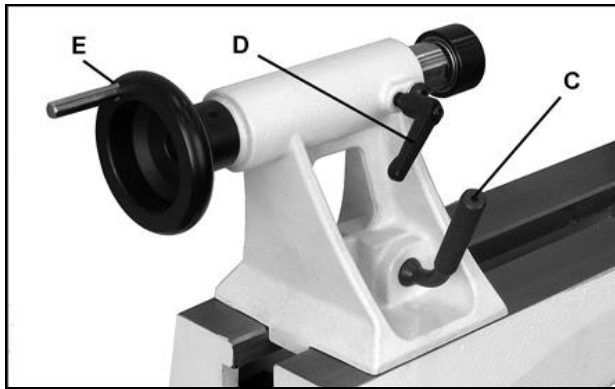


Fig 26

La poignée (C) fixe la contre-poupée au châssis de la machine.

Le pointeau peut être éjecté en tournant le volant dans le sens inverse des aiguilles d'une montre.

Pour le forage de trous profonds on peut enlever la pointe de centrage.

Attention: Ne jamais positionner la contre-poupée au-delà du châssis. Ceci réduirait le contact et augmenterait les risques de blessures.

7.5 Division de la broche de la poupée fixe

La division de la broche permet d'encliqueter la broche à des distances régulières.

Dans la poulie à courroie il y a 24 perforations distantes de 15° dans lesquelles la goupille d'index s'encliquète.

Il est facile de repérer la répartition grâce aux numéros figurant sur la poulie (H, Fig 27).

Pour cela, visser la goupille d'index (J) sur le corps de poupée fixe, jusqu'à ce qu'elle s'encliquète dans une perforation (I).

Remarque :

On peut aussi utiliser une clé de 3 mm pour vis à 6 pans creux (K).

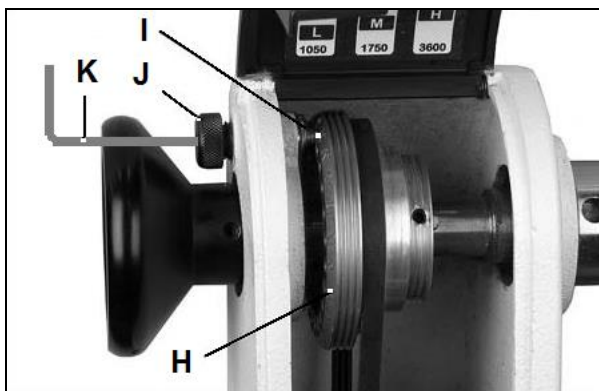


Fig 27

Remarque:

Débloquer la goupille d'index avant de mettre la machine en route.

Ne jamais appuyer sur la goupille d'index quand la broche est en rotation.

8. Entretien et contrôle

Attention

Faire tous les travaux de maintenance, réglage ou nettoyage après avoir débranché la machine du réseau!

Nettoyer la machine régulièrement.

(Porter des protections pour les yeux et un masque de respiration).

Vérifier chaque jour le fonctionnement impeccable du collecteur de poussières.

Protéger la broche, la broche de contre-poupée, le support d'outils et le châssis de la machine avec une fine couche d'huile ou avec un spray anticorrosion.

Remplacer immédiatement les dispositifs de protection endommagés ou usés.

Tous travaux de branchement et de réparation sur l'installation électrique doivent être exécutés uniquement par un électricien qualifié.

8.1 Réglage de fixation

Si un réglage ultérieur est nécessaire, repousser la contre-poupée ou le support à l'extrémité du châssis et régler légèrement l'écrou (B, Fig. 28).

Vérifier l'effet de serrage et repasser si nécessaire.

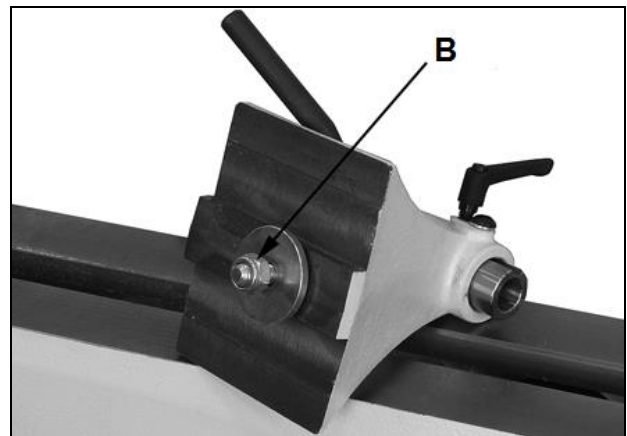


Fig 28

8.2 Inspection des balais du moteur (seulement JWL-1015VS)

Déconnecter la machine du réseau.

Un balai très usé ou endommagé peut conduire à une panne de moteur.

Contrôler régulièrement l'état des balais qui se trouvent de chaque côté du moteur.

Dévisser la plaque de recouvrement et retirer les balais.

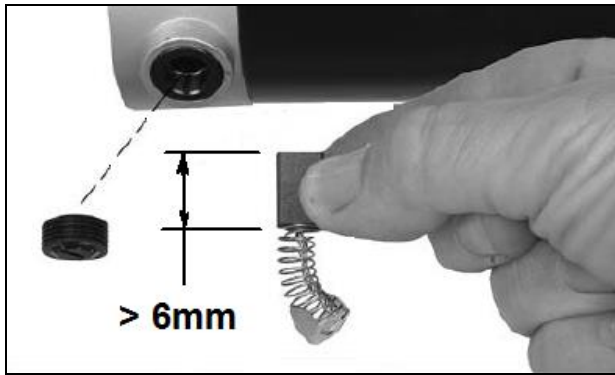


Fig 29

Si les balais ont moins de 6 mm ou s'ils sont endommagés, il faut remplacer les 2 balais.

(Numéro d'article: JWL1015VS-MCB....balai du charbon avec plaque de recouvrement, 2 pièces nécessaires)

Monter les balais et fermer la plaque de recouvrement.

8.3 Changement de la courroie

Déconnecter la machine du réseau.

Ouvrir les cache-courroies et retirer la courroie Poly-V de la poulie.

Retirer le volant après avoir desserré les 2 vis sans tête (A, Fig 30).

Attention : Filetage à gauche, Tourner dans le sens des aiguilles d'une montre.

Desserrer les 2 vis sans tête (B) de la poulie.

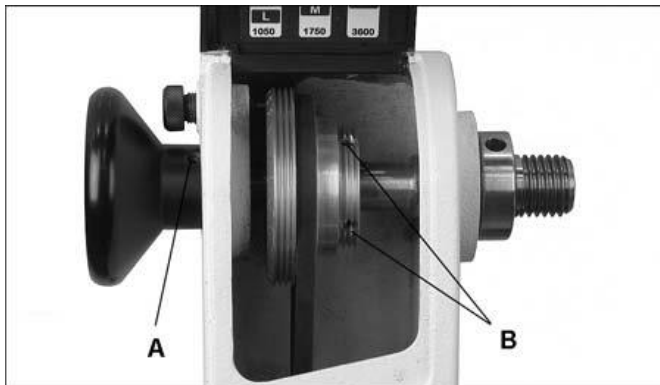


Fig 30

A l'aide d'un marteau en caoutchouc frapper la broche contre la contre-poupée (on peut aussi utiliser un morceau de bois dur ou de cuivre comme chassoir).

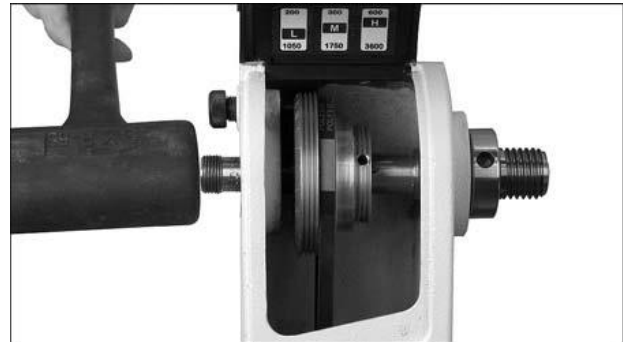


Fig 31

N'opérer que jusqu'à ce que la courroie puisse être retirée.

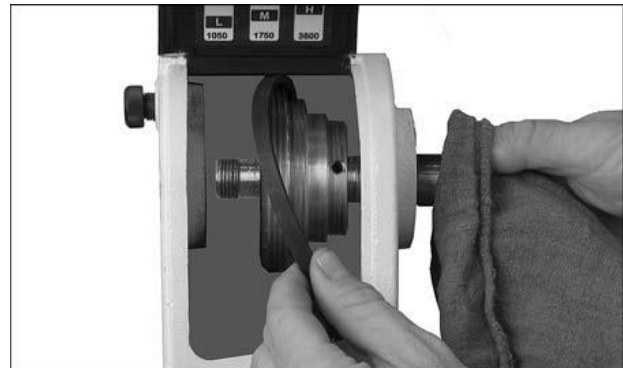


Fig 32

Le remontage s'effectue en sens inverse.

Remarque:

Pour ne pas surtendre le logement, ne pas trop serrer le volant.

Placer le volant contre le palier, ensuite revenir un peu en arrière et fixer avec les vis sans tête.

9. Diagnostic des pannes

Moteur ne se met pas en route

*Pas de courant-
Vérifier le voltage.

*Section transversale du câble trop faible-
Contrôler l'alimentation

Le moteur s'arrête ou ne démarre pas

*Pas de courant-
Contrôler le fusible du réseau.

*Moteur, platine, interrupteur ou câble défectueux-
Contacter un électricien qualifié.

*Le protecteur de surcharge a réagi sur la platine (seulement JWL-1015VS)-
Après une pause, remettre la machine en route en choisissant la position basse de la courroie (200-1050 T/min) pour plus de moments de couple.

*Usinage trop difficile-
Réduire la coupe.

*Tension insuffisante de la courroie-
Retendre la courroie ou la changer

Vibration violente de la machine

*La machine n'est pas sur un sol plat-
Repositionner la machine.

- *La pièce n'est pas centrée.
- *La vitesse est trop élevée.
- *Le montage du moteur est lâche-

La contre-poupée se déplace sous l'effet de la charge-

- *Le blocage de la table est insuffisant-
Rajuster l'écrou (voir chapitre 8.1)
- *Les surfaces de table ou de contre-poupée sont grasses-
Les dégraisser et remettre de l'antirouille

L'outil de tournage mord dans le bois

- *Le tranchant est émoussé -
Aiguiser régulièrement.
- *Le porte-outil est réglé trop bas-
Réajuster la hauteur.
- * Le porte-outil est trop éloigné de la pièce-
Le rapprocher de la pièce.
- *L'outil de tournage est incorrect-
Choisir un outil approprié au tournage.

Nur fürJWL-1015VS:

L'affichage numérique "Rouge" s'allume

- *La surcharge sur le fusible platine a réagit-
Réduire la tension.
- *surchauffe de l'élément refroidissant du fusible platine-
Réduire la tension.
- *Le dispositif diviseur de la broche est bloqué-
Desserrer la goupille d'index.

Les affichages numériques „rouge“ et „vert“ s'allument en même temps

- *Le câble du moteur est débranché-
Contrôler la connexion par câble sous le socle de la machine
- *Les balais en charbon du moteur sont usés ou abimés-
Changer les balais
- *Moteur usé-
Changer le moteur.
- *Erreur sur la platine d'alimentation-
Consulter un électricien qualifié / changer la platine.

10. Protection de l'environnement

Protégez l'environnement !

Votre appareil comprend plusieurs matières premières différentes et recyclables. Pour éliminer l'appareil usagé, veuillez l'apporter dans un centre spécialisé de recyclage des appareils électriques.

11. Accessoires

Numéro d'article 719101

Extension du banc 530mm (Fig. 33)



Fig 33

Numéro d'article 719102

Socle de machine (Fig 34, Fig 35)



Fig 34

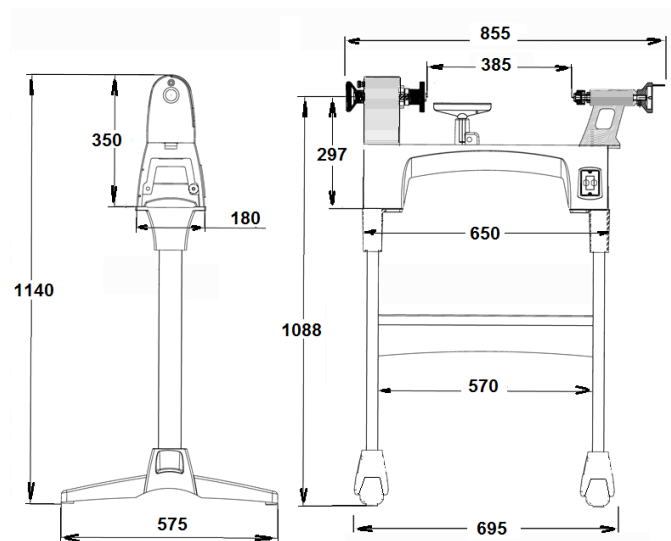


Fig 35

Numéro d'article 719103

Extension du socle de machine 530mm (Fig 36)



Fig 36

Outils et accessoires de serrage voir liste de prix JET.