



JWS-34KX SINGLE SPINDLE MOULDER

Original:

GB
Operating Instructions

Translations:

D
Gebrauchsanleitung

F
Mode d'emploi



TOOL FRANCE SARL

9 Rue des Pyrénées
91090 LISSES
France
www.jettools.com



M-708502KXM, 708502KXT

2019-02

CE-Conformity Declaration
CE-Konformitätserklärung
Déclaration de Conformité CE

Product / Produkt / Produit:
Single Spindle Moulder / Tischfräsmaschine / toupie
JWS-34KX

Brand / Marke / Marque:
JET

Manufacturer / Hersteller / Fabricant:
TOOL FRANCE SARL, 9 Rue des Pyrénées, 91090 LISSES,
France / Frankreich / France

We hereby declare that this product complies with the regulations
Wir erklären hiermit, dass dieses Produkt der folgenden Richtlinie entspricht
Par la présente, nous déclarons que ce produit correspond aux directives suivantes

2006/42/EC
Machinery Directive / Maschinenrichtlinie / Directive Machines

2014/30/EU
Electro Magnetic Compatibility / Elektromagnetische Verträglichkeit / Compatibilité électromagnétique

designed in consideration of the standards
und entsprechend folgender zusätzlicher normen entwickelt wurde
et été développé dans le respect des norms complémentaires suivantes
EN 848-1:2007+A2:2012

EC type examination performed by / EG-Baunusterprüfung durchgeführt von / examen CE de type par
DGUV Test, Prüf- und Zertifizierungsstelle Holz, Fachbereich Holz und Metall,
Vollmoellerstraße 11, 70563 Stuttgart, Germany (notified body No:0392)

Certificate Number / Zertifikat Nummer / numéro de certificate
HO 191013

Head Product-Mgmt. / Leiter Produkt-Mgmt. / Resp. Gestion des Produits
TOOL FRANCE SARL



2019-02-25 Christophe SAINT SULPICE, General Manager

TOOL FRANCE SARL, 9 Rue des Pyrénées, 91090 LISSES,
France / Frankreich / France

GB - ENGLISH

Operating Instructions

Dear Customer,

Many thanks for the confidence you have shown in us with the purchase of your new JET-machine. This manual has been prepared for the owner and operators of a **JET JWS-34KX single spindle moulder** to promote safety during installation, operation and maintenance procedures. Please read and understand the information contained in these operating instructions and the accompanying documents. To obtain maximum life and efficiency from your machine, and to use it safely, read this manual thoroughly and follow instructions carefully.

...Table of Contents

1. Declaration of conformity

2. Warranty

3. Safety

Authorized use

General safety notes

Remaining hazards

4. Machine specifications

Machine description

Technical data

Noise emission

Dust emission

Contents of delivery

5. Transport and start up

Transport and installation

Assembly

Mains connection

Dust connection

Starting operation

6. Machine operation

7. Setup and adjustments

Spindle speed setting

Arbour installation

Collet installation

Cutting tool installation

Spindle vertical travel

Shaper fence installation

Curved guard installation

Sanding spindle installation

Tenoning carriage installation

8. Maintenance and inspection

9. Trouble shooting

10. Environmental protection

11. Available accessories

12. „Safe operation“ (appendix A)

1. Declaration of conformity

On our own responsibility we hereby declare that this product complies with the regulations* listed on page 2. Designed in consideration with the standards**. CE type examination*** performed by****.

2. Warranty

TOOL FRANCE SARL guarantees that the supplied product is free from material defects and manufacturing faults.

This warranty does not cover any defects which are caused, either directly or indirectly, by incorrect use, carelessness, accidental damage, repair, inadequate maintenance or cleaning and normal wear and tear.

Any warranty details (i.e. warranty period) can be found in the General Terms and Conditions (GTC) that are integral part of the contract. These GTC can be viewed at the website of your dealer or sent to you upon request.

TOOL FRANCE SARL reserves the right to make changes to the product and accessories at any time.

3. Safety

3.1 Authorized use

This machine is designed for shaping wood and wood derived materials.

Machining of other materials is not permitted and may be carried out in specific cases only after consulting with the manufacturer.

No metal workpieces may be machined.

The workpiece must allow to safely be loaded, supported and guided.

The proper use also includes compliance with the operating and maintenance instructions given in this manual.

The machine must be operated only by persons familiar with its operation and maintenance and who are familiar with its hazards.

The required minimum age must be observed.

The machine must only be used in a technically perfect condition.

When working on the machine, all safety mechanisms and covers must be mounted.

In addition to the safety requirements contained in these operating instructions and your country's applicable regulations, you should observe the generally recognized technical rules concerning the operation of woodworking machines.

Any other use exceeds authorization.

In the event of unauthorized use of the machine, the manufacturer renounces all liability and the responsibility is transferred exclusively to the operator

3.2 General safety notes

Woodworking machines can be dangerous if not used properly. Therefore the appropriate general technical rules as well as the following notes must be observed.

Read and understand the entire instruction manual before attempting assembly or operation.

Keep this operating instruction close by the machine, protected from dirt and humidity, and pass it over to the new owner if you part with the tool.

No changes to the machine may be made.

Daily inspect the function and existence of the safety appliances before you start the machine.
Do not attempt operation in this case, protect the machine by unplugging the mains cord.

Remove all loose clothing and confine long hair.
Before operating the machine, remove tie, rings, watches, other jewellery, and roll up sleeves above the elbows.

Wear safety shoes; never wear leisure shoes or sandals.

Always wear the approved working outfit.

- safety goggles
- ear protection
- dust protection

Do not wear gloves while operating this machine.

For the safe handling of cutting tools wear work gloves.

Observe the chapter "save operation" in this manual.

Control the stopping time of the machine, it may not exceed 10 seconds.

Remove cut and jammed workpieces only when the motor is turned off and the machine is at a complete standstill.

Install the machine so that there is sufficient space for safe operation and workpiece handling.

Keep work area well lighted.

The machine is designed to operate in closed rooms and must be placed stable on firm and levelled ground.

Make sure that the power cord does not impede work and cause people to trip.

Keep the floor around the machine clean and free of scrap material, oil and grease.

Stay alert!

Give your work undivided attention. Use common sense. Do not operate the machine when you are tired.

Keep an ergonomic body position.
Maintain a balanced stance at all times.

Do not operate the machine under the influence of drugs, alcohol or any medication. Be aware that medication can change your behaviour.

Keep children and visitors a safe distance from the work area.

Do not remove chips and workpiece parts until the machine is at a complete standstill.

Never leave a running machine unattended.
Before you leave the workplace switch off the machine.

Do not operate the electric tool near inflammable liquids or gases.

Observe the fire fighting and fire alert options, for example the fire extinguisher operation and place.

Do not use the machine in a damp environment and do not expose it to rain.

Wood dust is explosive and can also represent a risk to health.

Dust from some tropical woods in particular, and from hardwoods like beach and oak, is classified as a carcinogenic substance.

Always use a suitable dust extraction device.

Before machining, remove any nails and other foreign bodies from the workpiece.

Never operate with the guards not in place – serious risk of injury!

Depending on the job use suitable safety devices, which prevent accidental contact with the rotating cutter. Adapt these safety devices exactly to the respective application and the workpiece dimensions.

Adapt the spindle speed to the cutter diameter.

Always keep your hands well clear of the cutting tool.

Never reach with your hands under the shaper guard when guiding the workpiece!

Machine only stock which rests securely on the table.

Always feed stock against cutter rotation.

Workpieces shorter than 300mm require special feeding aids (e.g. feeding template).

Never machine a workpiece if it cannot be guided with a sufficient distance to the cutting tool.

Tenoning work requires the optionally available tenoning carriage

Use a push block when working the ends of narrow stock.

Always store the push stick or the push wood handle with the machine, also when not in use.

Specifications regarding the maximum or minimum size of the workpiece must be observed.

Do not remove chips and workpiece parts until the machine is at a complete standstill.

Always use sharp cutting tools.

The fence must securely be locked before starting the machine.

To reduce the danger of kick-back and injury.
Only cutting tools marked "MAN" and conforming EN 847-1 respectively EN 847-2 may be used.

Use roller supports on both sides of the planer when working long stock.

Keep the shaper table surface clean, in particular remove resin residue.

Connection and repair work on the electrical installation may be carried out by a qualified electrician only.

Do not stand on the machine.

Have a damaged or worn power cord replaced immediately.

Make all machine adjustments or maintenance with the machine unplugged from the power source.

3.3 Remaining hazards

When using the machine according to regulations some remaining hazards may still exist.

Touching the cutting tool in the machining area can cause injury. For effective protection the shaper guard must always be adapted to the workpiece and to the machining operation.

Risk of kickback. The workpiece is caught by the rotating cutter and thrown back to the operator.

Thrown workpiece parts can lead to injury. Sawdust and noise can be health hazards.

Be sure to wear personal protection gear such as safety goggles and ear protection. Use a suitable dust exhaust system.

The use of incorrect mains supply or a damaged power cord can lead to injuries caused by electricity.

4. Machine specifications

4.1 Machine description

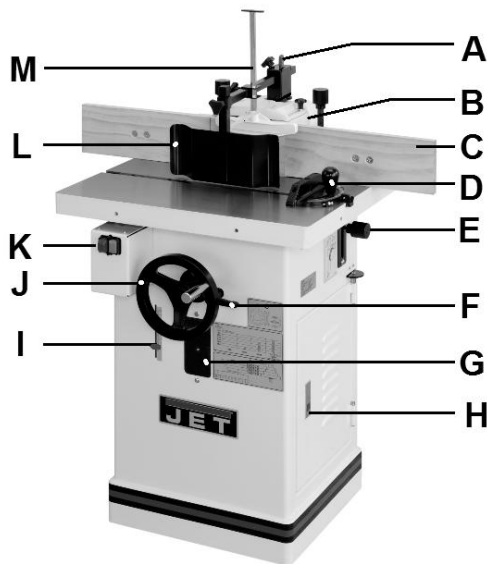


Fig 1

- A Shaper guard lock
- B Shaper fence
- C Fence boards
- D Mitre gauge
- E...Spindle rotation lock
- F...Spindle up/down lock
- G Speed select viewing window
- H Motor/pulley access door
- I...Spindle up/down scale
- J...Spindle up/down handwheel
- K ON/OFF main switch
- L Shaper guard, lateral hold down
- M Shaper guard, vertical hold down

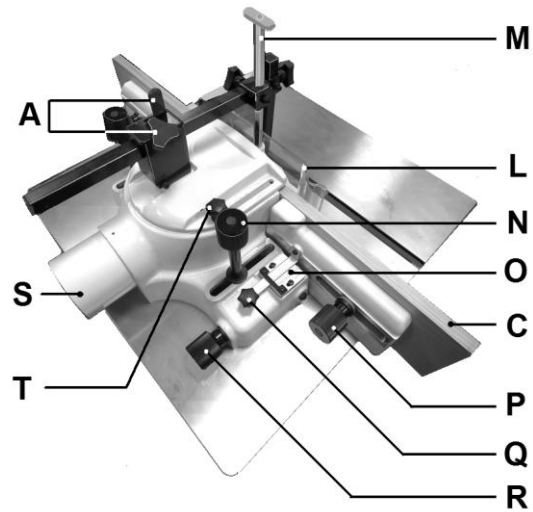


Fig 2

- N Fence attachment knobs
- O Fence board offset scale
- P Fence board lock
- Q Fence board offset lock
- R Fence board offset adjust knob
- S Dust port
- T Fence cover lock knob

4.2 Technical data

No-load spindle speed n_0	1700/3500/6000/8000 rpm
Table size	635 x 600 mm
Table height	830mm
Spindle diameter	30mm
Clamped height	70mm
Spindle travel	80mm
Router bit collet size	8 and 12mm
Table opening diameter	160mm
Max. tool diameter	180mm
Max. tool height above table	120mm
dust port diameter	100mm

Dimensions LxWxH	920x680x1090mm
Weight	156 kg

Mains	230V ~1/N/PE 50Hz
Output power	1,5 kW (2 HP) S1
Reference current	10 A
Extension cord (H07RN-F):	3x1,5mm ²
Installation fuse protection	16A

Mains	400V ~3/PE 50Hz
Output power	2.2 kW (3 HP) S1
Reference current	5 A
Extension cord (H07RN-F)	4x1,5mm ²
Installation fuse protection	16A

4.3 Noise emission

Determined according to EN 848-1.
(Inspection tolerance 4 dB)

Workpiece pine wood:

W=100mm, L=1000mm, moisture 8,5%

Acoustic power level
(according to EN ISO 3746):

Idling	LwA 83 dB(A)
Operating	LwA 90 dB(A)

Acoustic pressure level
(according to EN ISO 11202):

Idling	LpA 74 dB(A)
Operating	LpA 83 dB(A)

The specified values are emission levels and are not necessarily to be seen as safe operating levels. Although there is a correlation between emission and imission levels, these do not constitute a basis for determining the necessity of additional safety measures.

Workplace conditions which could influence the noise imission level include the duration of resonance, space particulars, other noise sources etc. For example, the number of machines and other work being performed. The permissible workplace levels can vary from country to country.

This information is intended to allow the user to make a better estimation of the hazards and risks involved.

4.4 Dust emission

The wood shaper JWS-34KX has been dust emission inspected.

At an air velocity of 20 m/s on the dust port dia 100mm:

Vacuum pressure	800 Pa
Volume flow	565 m ³ /h

The machine meets the present workplace dust emission limit of 2 mg/m³.

4.5 Content of delivery

- 30mm spindle arbour assembly
- Collets 8mm and 12mm
- Fence assembly
- Spacer board for fence
- Workpiece hold downs
- Push stick
- Curved guard assembly
- Mitre gauge
- Operating tools
- Assembly kit
- Operating manual
- Spare parts list

5. Transport and start up

5.1 Transport and installation

For transport use a forklift or hand trolley. Make sure the machine does not tip or fall off during transport.

The machine is designed to operate in closed rooms and must be placed stable on firm and levelled ground. The machine can be bolted down if required.

For packing reasons the machine is not completely assembled.

5.2 Assembly

If you notice any transport damage while unpacking, notify your supplier immediately. Do not operate the machine!

Dispose of the packing in an environmentally friendly manner.

Clean all rust protected surfaces with a mild solvent.

Mount the handle to the hand wheel.

Mount the shaper guard with the two screws supplied (D, Fig 3) to the shaper fence top. To lift the shaper guard push the handle backwards.

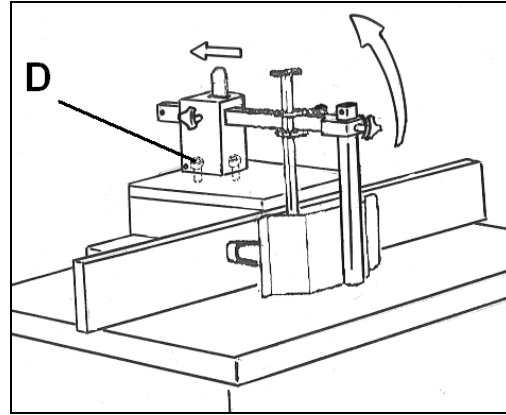


Fig 3

5.3 Mains connection

Mains connection and any extension cords and plugs used must comply with the information on the machine licence plate.

The mains connection must have a 16A surge-proof fuse.

Only use extension cords marked H07RN-F, with wires 1,5mm² or more.

Power cords and plugs must be free from defects.

Connections and repairs to the electrical equipment may only be carried out by qualified electricians.

ATTENTION:

-Check first if the spindle rotates freely and if all safety devices are fitted before starting the machine.

Make sure that the spindle is running the correct direction (counter-clockwise).

- If the direction of rotation is not correct, the phase converter inside the CCE Euro plug must be pushed in and turned 180°.

(See rotation arrow on machine for correct rotation)

5.4 Dust connection

Before initial operation, the machine must be connected to a dust extractor. The suction should switch on automatically when the shaper is switched on.

The flow rate on the suction port must be 20m/sec. Flexible hoses must be of "non-flammable" quality, and must be connected to the machine ground system.

5.5 Starting operation

You can start the machine with the green on button. The red button on the main switch stops the machine.

In case of overload the motor overload cut-off will react. After approximately 10 minutes of cooling the machine can be started again.

6. Machine operation

Correct operating position:

Position yourselves offset to the machine front (Fig 4).

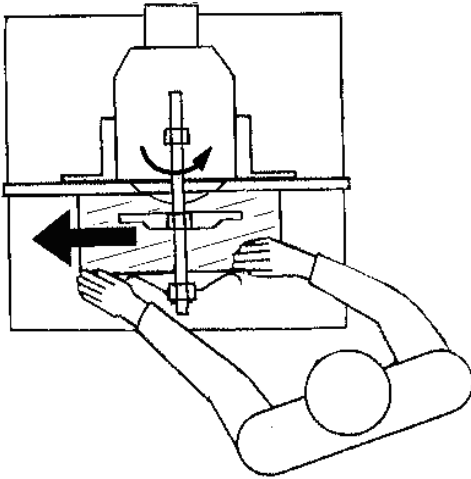


Fig 4

Workpiece handling:

Feed the workpiece straight across the machine table, holding your fingers close together, guiding the workpiece with the palm of your hands.

Never put your hands under or behind the shaper guard. Always keep your hands well clear of the rotating cutter.

Always feed the workpiece against the cutter rotation (Fig 4).

Use a push block when working the ends of narrow stock.

Use a feeding aid if you are going to work a workpiece shorter than 300mm.

Always machine the workpiece over its entire length. Recess machining may only be carried out with the aid of suitable longitudinal workpiece stops (Fig 5)high danger of kickback!!!

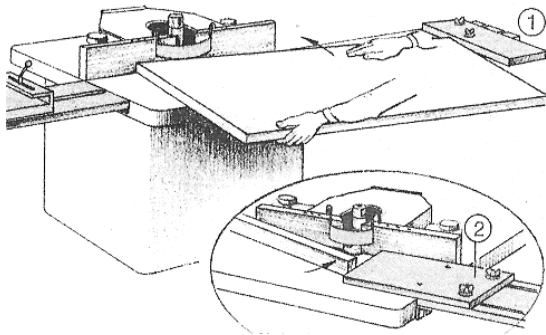


Fig 5

When working complex shapes, make jigs and guides to guide the workpiece properly and safely.

Tenoning work requires the optionally available tenoning carriage (see chapter 7.9)

The fence must securely be locked before starting the machine.

Make trial cuts on a piece of scrap before working the actual workpiece.

Support long workpieces with helping roller stands or table extensions.

Always work one workpiece at a time.

Never operate with the guards not in place – serious risk of injury!

Always keep your hands well clear of the rotating tool.

Never machine a workpiece if it cannot be guided properly and safely with sufficient distance to the cutting tool.

When working complex shapes, make jigs and guides to guide the workpiece properly and safely.

Adapt the spindle speed to the cutting tool diameter.

For the authorized use of the machine observe the appendix A “safe operation“ (on the last pages of this operating manual)

A.1: machining of boards

A.2.: Longitudinal machining

A.3.: Face machining

A.4.: Recess machining.

A.5.: Contour machining

7. Setup and adjustments

General note:

Setup and adjustment work may only be carried out after the machine is protected against accidental starting by pulling the mains plug.

Make sure that the cutter is running clear after every setup or adjustment done.

7.1 Spindle speed setting

Warning:

The spindle speed must be selected according to the cutter diameter.

The cutting speed in m/sec corresponding to tool diameter and spindle speed can be seen on the diagram (Fig 6). The diagram also can be found on the machine.

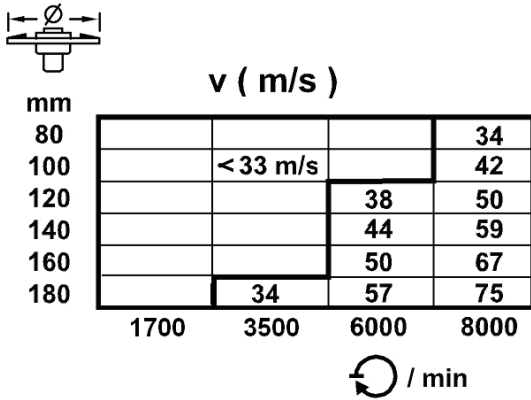


Fig 6

At the lower spindle speeds and at smaller tool diameters an increased risk of workpiece kickback exists.

The maximum permissible speed (rpm, /min, min⁻¹) marked on each tool may never be exceeded.

Router bits may only be operated in the highest spindle speed (8000 rpm).

The sanding spindle may only be operated in the lowest spindle speed (1700 rpm).

The speed is set by changing the V-belt location on the pulleys (Fig 7).

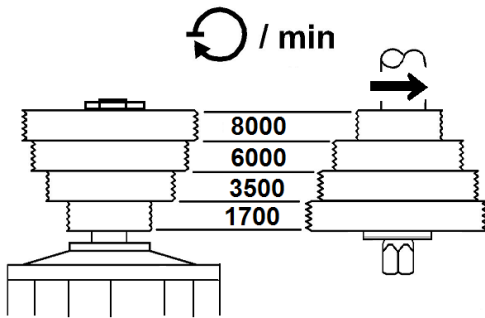


Fig 7

Speed range:
1700, 3500, 6000, 8000 RPM

The chosen spindle speed can be seen on the viewing window.

7.2 Arbour installation

The arbour is mounted to the machine spindle with the draw bar and nut.

Use the following procedure to install the arbour.

Disconnect the machine from the power source (pull mains plug).

Engage the spindle rotation lock.
Pull plunger and rotate 90° (Fig 8).

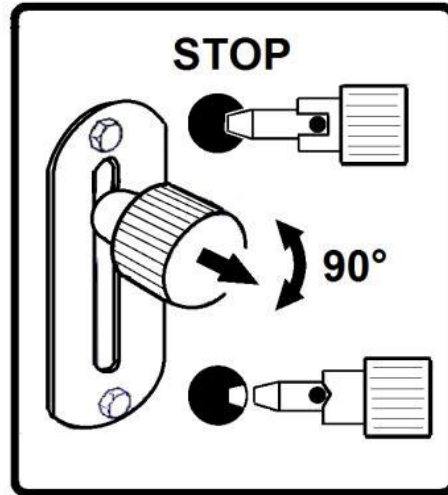


Fig 8

Remove all table insert rings.

Clean the arbour shank and spindle bore (T, Fig 9).



Fig 9

1) Install the arbour nut (N, Fig 10) to the machine spindle. Keep approx. 2 turns (4mm) distance to the end of spindle nose thread.

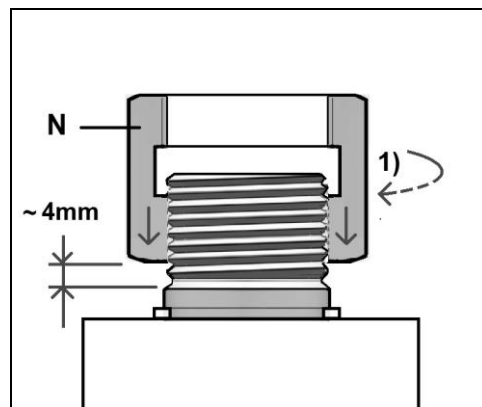


Fig 10

2) Place the arbour (A, Fig 11) into the spindle and thread arbour onto the nut (N). Slightly tighten the nut.

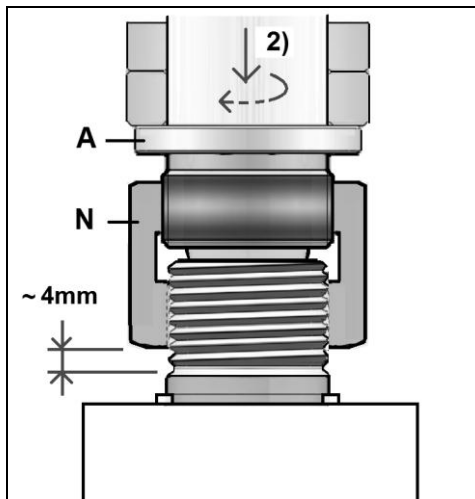


Fig 11

3) Place the draw bar (D, Fig 12&13) into the bottom of the spindle and tighten it with the supplied spanner.

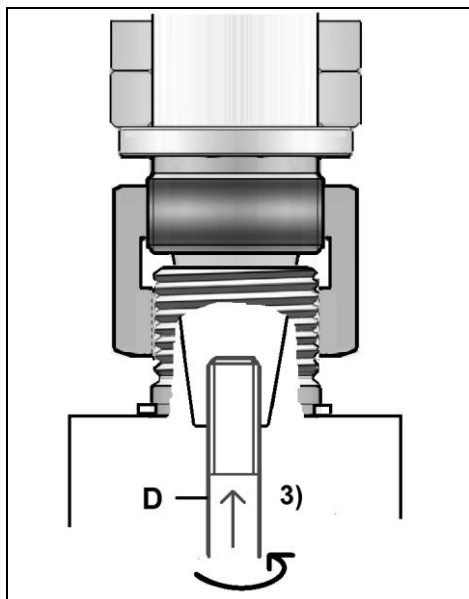


Fig 12

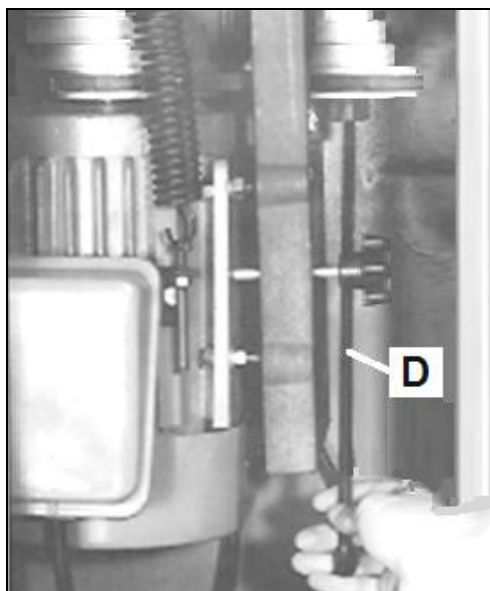


Fig 13

4) Firmly tighten the arbour nut (N, Fig 14) using the supplied spanner (S, Fig 15) .

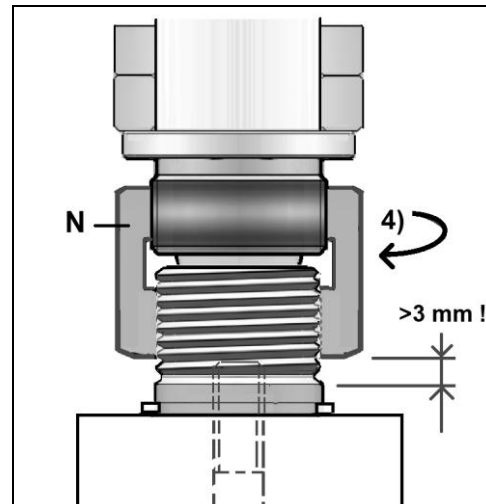


Fig 14

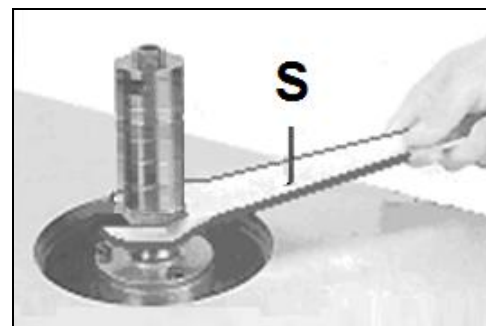


Fig 15

Attention:

Verify correct nut placement.

The nut must have minimum 3mm distance to the end of spindle nose thread.

Install the cutting tool (see chapter 7.4):

Disengage the spindle rotation lock.

Connect the machine to the power source.

Start the shaper cautiously.

Arbour removal:

The draw bar (D, Fig 12&13) must be removed first.

7.3 Collet installation

Disconnect the machine from the power source.

Remove the arbour (see chapter 7.2)

Install the collet with nut (Q, Fig 16).

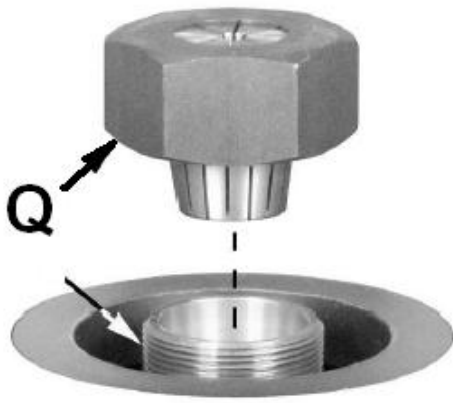


Fig 16

Collets supplied with the machine:

- Collet Ø 8 mm
- Collet Ø 12 mm.

To reduce the danger of kick-back and injury.

Only cutting tools marked "MAN" and conforming EN 847-1 respectively EN 847-2 may be used.

Router bits must be clamped on a shaft length of minimum 20mm.

Tighten the nut (Q).

Cover the clearance zone around the cutter with table insert rings (A, Fig 18).

Attention:

At the lower spindle speeds and at smaller tool diameters an increased risk of workpiece kickback exists.

Router bits may only be operated in the highest spindle speed (8000 rpm).

Disengage the spindle rotation lock.

Set the fence boards approx. 5mm close to the cutter rotation.

Connect the machine to the power source.

Start the shaper cautiously.

7.4 Cutting tool installation

The cutting tool may only be changed when the spindle rotation lock is engaged and the mains plug is pulled.

Risk of personal injury by cuts from the cutter knives. Wear suitable gloves when changing cutters.

Clean all surfaces of cutters and spindle arbourrs with a suitable solvent (do not use cleaning agents that could corrode the light metal components).

To reduce the danger of kick-back and injury.

Only cutting tools marked "MAN" and conforming EN 847-1 respectively EN 847-2 may be used.

Unsuitable, incorrectly mounted, dull, cracked or bent cutter knives can break or increase the risk of kickback considerably.

The installation of sanding or polishing tools is not permissible.

The cutter must be positioned on the arbour as low a possible (Fig 17).

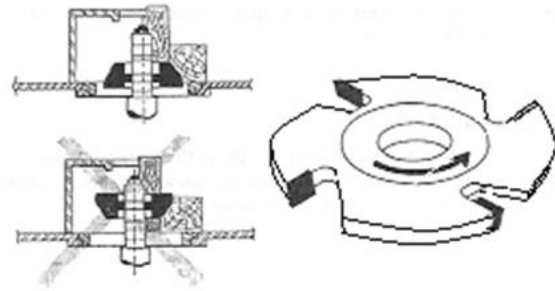


Fig 17

Watch the sense of rotation (counter clockwise) when mounting the cutter.

Fill the space between cutter and clamping washer with spacing collars.

Tighten the tool with the hex nut screw securely. (Don't use a wrench extension or a hammer to tighten the screw)

Cover the clearance zone around the cutter with table insert rings (A, Fig 18).

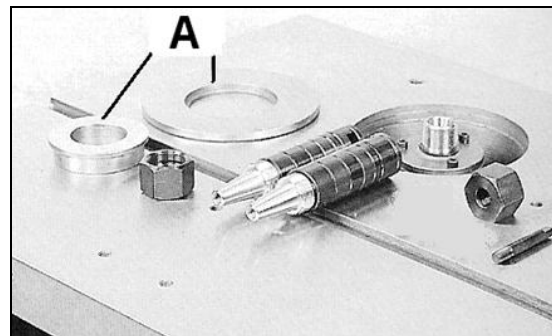


Fig 18

ATTENTION:

Adapt the spindle speed to the cutting tool diameter.

Never exceed the shown numbers of revolution (rpm, /min, min⁻¹) on the tool.

Disengage the spindle rotation lock.

Set the fence boards approx. 5mm close to the cutter rotation.

Connect the machine to the power source.

Start the machine cautiously.

7.5 Spindle vertical travel

After you loosen the clamping lever the spindle height can be adjusted with the hand wheel. One revolution corresponds to a travel of 8mm (2mm for each ¼ turn)

7.6 Shaper fence installation

Install the shaper fence body first. To do so, screw the two bolts into the tapped holes in the machine table.

Set the fence boards approx. 5mm close to the cutter rotation.

Use the spacer board (A, Fig 19) to securely guide small gibs

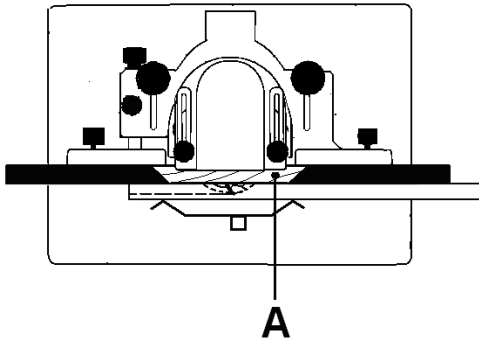


Fig 19

The spacer board is clamped between the fence boards.

The spacer board is a wear part and a new board needs to be fabricated if the clearance around the cutter becomes too big.

Have a scrap workpiece available to allow proper positioning of the fence and the fence guard.

Adjust the fence guard to guide the workpiece and to protect from accidental cutter contact.

The shaper guard is fastened to the fence cover and can be opened for tooling and setup access.

Connect the fence to a dust collector.

Before starting work, check manually that the cutter rotates freely and that fence and guard are correctly clamped.

7.7 Curved guard installation

The curved guard (Fig 20) supplied with the machine can be mounted to the machine table and allows a maximum tool diameter of 150mm.

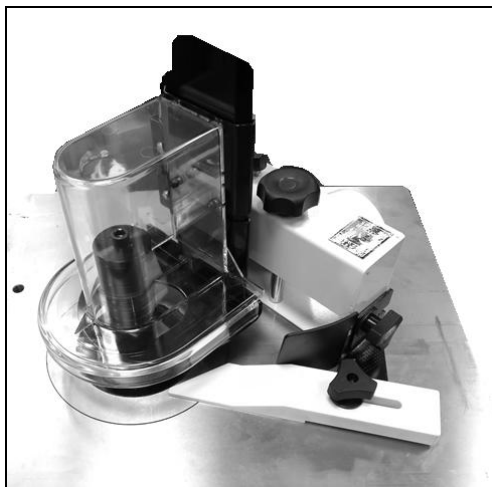


Fig 20

Install the curved guard body first.

The machine table is therefore prepared with a M8 tapped hole (A, Fig 21) and an 8mm pinhole (P).

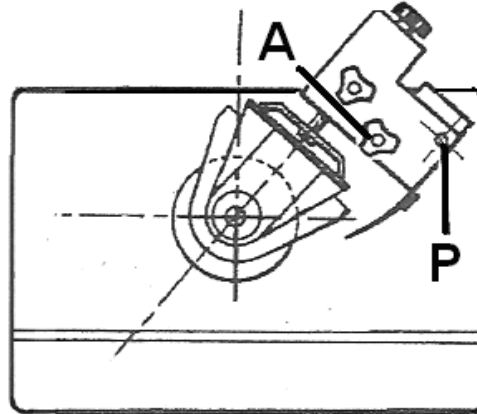


Fig 21

Set the height of the guide plate (B, Fig 22) depending on the position and diameter of the tool and the thickness of the workpiece. This part guides the wood and must always be above the cutter.

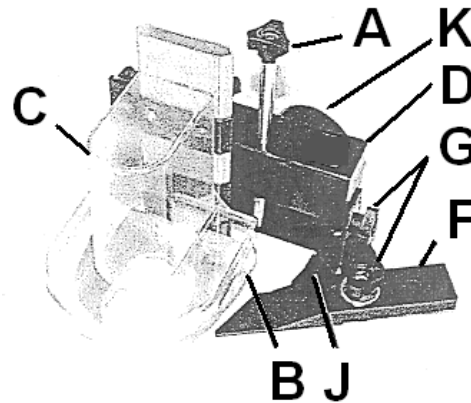


Fig 22

Use knob (E, Fig 23) to set the chip removal.

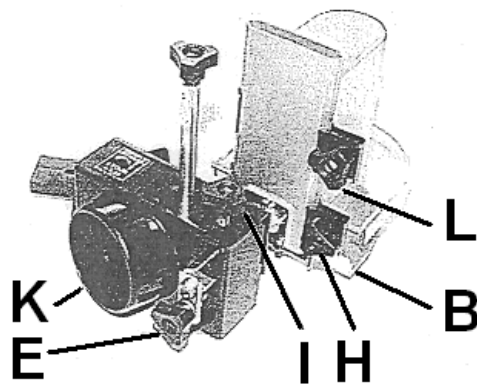


Fig 23

Slide the cover (C) down until it touches the part to be machined.

Connect the dust collector to the curved guard port (K).

Before starting work, check manually that the cutter rotates freely and that all components are correctly clamped.

At the start of the cut, move the workpiece along the straight part of the guide plate (F). This way the workpiece enters the cutter gradually, reaching the maximum depth of cut at the guide plate mark.

Continue by moving the workpiece, keeping it aligned with the guide plate mark.

When working complex shapes, make jigs and guides to guide the workpiece properly and safely.

7.8 Sanding spindle installation

The optionally available sanding spindle can be mounted in place of the 30mm spindle arbour.

The sanding spindle may only be installed when the spindle rotation lock is engaged and the mains plug is pulled.

Sanding sleeves and drums can be chosen between dia. 25, 38, 50, 75 and 100mm.

Cover the clearance zone around the sanding sleeve with table insert rings.

Install the curved guard body for dust collection (Fig 24).

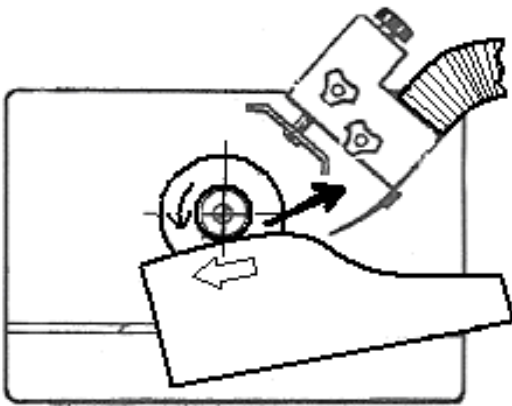


Fig 24

Attention:
The sanding spindle may only be operated at the lowest (1700 RPM) spindle speed.

Before starting work, check manually that the sanding spindle rotates freely and that all components are correctly clamped.

Feed the workpiece straight across the machine table, holding your fingers close together, guiding the workpiece with the palm of your hands.

Always keep your hands well clear of the rotating sanding drum.

7.9 Tenoning carriage installation

The optionally available tenoning carriage can be placed on the machine table and is guided in the T-groove.

The wood press (C, Fig 25) and the miter gauge profile (E) assure the stability of the workpiece.

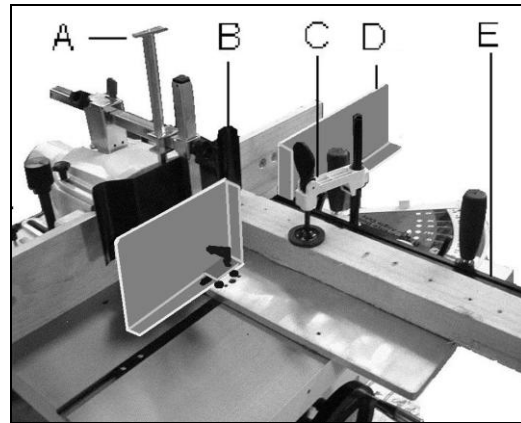


Fig 25

The covers (D) must be adjusted into proximity of the workpiece and locked in place.

- workpiece height max 100mm
- workpiece width max 120mm

Adjust the shaper fence to suit the tool diameter used.

The shaper guard (B) should be positioned above the tool. The vertical press (A) can be lifted to its maximum.

Before starting work, check manually that the cutter rotates freely and that all components are correctly clamped.

Feed the workpiece by sliding the carriage towards the tool with both hands pressing the workpiece onto the miter gauge profile (E).

Always keep your hands well clear of the rotating cutting tool.

Note:
Tenoning work requires power and torque.
In most cases the 3500 RPM spindle speed will perform best.

8. Maintenance and inspection

General notes:
Maintenance and inspection work may only be carried out after the machine is protected against accidental starting by pulling the mains plug.

Clean the machine regularly.

Inspect the proper function of the dust extraction daily.

Defective safety devices must be replaced immediately.

All protective and safety devices must be re-attached immediately after completed cleaning, maintenance and inspection work.

Repair and maintenance work on the electrical system may only be carried out by a qualified electrician.

Drive Belt:
The belt tension must be inspected regularly.

Motor Break:
The motor break works electro-mechanically (break motor). If breaking time should exceed 10 seconds, the motor break assembly needs to be replaced (JET Stock Nr.: JWS34-BME).

Contact your Jet service station immediately.

9. Trouble shooting

Motor doesn't start

- *No electricity-
check mains and fuse.
- *Defective switch, motor or power cord-
consult an electrician.
- *Overload has reacted-
wait 10 min and start again.
- *Spindle lock is engaged.

Cutter doesn't come to speed

- *Too big or heavy a tool-
choose smaller spindle speed.
- *Extension cord too light or too long-use adequate power
supply.
- *V-belt excessively tensioned-
apply proper tension.

Wrong spindle direction

- *3-phase sequence is wrong-
Push in and rotate phase inverter on 3-phase plug.

Machine vibrates excessively

- *Stand on uneven floor-
adjust stand for even support.
- *Cutter head damaged-
replace cutter head immediately.

Cutting surface is bad

- *dull cutter-
replace cutter
- *Cutter knives blocked by chips-
remove chips.
- *Cutting speed too low-
choose correct speed.
- *Too heavy a cut-
make several passes.
- *knives cutting against grain-
turn workpiece around.
- *Workpiece inhomogeneous.
- *Moisture content too high.

Snipe

- *Inadequate fence board adjustment- use spacer board
where possible.
- *Clearance to table hole too big-
use table insert rings.
- *insufficient workpiece guiding-
improve hold downs setting.

Spindle quill difficult to adjust

- *Lack of lubrication-
lubricate spindle quill
- *Quill is clamped.

Poor machining power

- *belt is slipping-
tighten belt.

- *Resin build up on tables-
clean and wax table surfaces.

10. Environmental protection

Protect the environment.

Your appliance contains valuable materials which can be recovered or recycled. Please leave it at a specialized institution.



This symbol indicates separate collection for electrical and electronic equipment required under the WEEE Directive (Directive 2012/19/EC) and is effective only within the European Union.

11. Available accessories

Stock number 10000251

30mm spindle arbour incl. spacing collars.

Stock number 10000252

Sanding spindle with drums and sanding sleeves dia. 25, 38, 50, 75, 100mm

-refer to the Jet-Pricelist for various grit sanding sleeves (see JVOS-10).

Stock number 10000253

Tenoning carriage

Stock number 709207

Foldable roller stand

12. Safe operation

See appendix A (on the last pages of this operating manual).

DE - DEUTSCH

Gebrauchsanleitung

Sehr geehrter Kunde,

vielen Dank für das Vertrauen, welches Sie uns beim Kauf Ihrer neuen JET-Maschine entgegengebracht haben. Diese Anleitung ist für den Inhaber und die Bediener zum Zweck einer sicheren Inbetriebnahme, Bedienung und Wartung der **Tischfräsmaschine JWS-34KX** erstellt worden. Beachten Sie bitte die Informationen dieser Gebrauchsanleitung und der beiliegenden Dokumente. Lesen Sie diese Anleitung vollständig, insbesondere die Sicherheitshinweise, bevor Sie die Maschine zusammenbauen, in Betrieb nehmen oder warten. Um eine maximale Lebensdauer und Leistungsfähigkeit Ihrer Maschinen zu erreichen befolgen Sie bitte sorgfältig die Anweisungen.

Inhaltsverzeichnis

- 1. Konformitätserklärung**
- 2. Garantieleistungen**
- 3. Sicherheit**
Bestimmungsgemäße Verwendung
Allgemeine Sicherheitshinweise
Restrisiken
- 4. Maschinenspezifikation**
Maschinenbeschreibung
Technische Daten
Schallemission
Staubemission
Lieferumfang
- 5. Transport und Inbetriebnahme**
Transport und Aufstellung
Montage
Elektrischer Anschluss
Absaug Anschluss
Inbetriebnahme
- 6. Betrieb der Maschine**
- 7. Rüst- und Einstellarbeiten**
Drehzahleinstellung
Fräsdorn Montage
Spannzangen Montage
Fräswerkzeug Montage
Spindel Höhenverstellung
Fräsanschlag Montage
Bogenfräsanschlag Montage
Schleifdorn Montage
Zapfenschneidschlitten Montage
- 8. Wartung und Inspektion**
- 9. Störungsabhilfe**
- 10. Umweltschutz**
- 11. Lieferbares Zubehör**
- 12. Sicheres Arbeiten (Anhang A)**

1. Konformitätserklärung

Wir erklären in alleiniger Verantwortlichkeit, dass dieses Produkt mit den auf Seite 2 angegebenen Richtlinien* übereinstimmt. Bei der Konstruktion wurden folgende Normen** berücksichtigt und eine EG-Baumusterprüfung *** von **** durchgeführt.

2. Garantieleistungen

TOOL FRANCE SARL garantiert, dass das gelieferte Produkt frei von Material- und Fertigungsfehlern ist. Diese Garantie trifft nicht auf jene Defekte zu, welche auf direkten oder indirekten, nicht fachgerechten Gebrauch, Unachtsamkeit, Unfallschaden, Reparatur, mangelhafte Wartung bzw. Reinigung sowie normalen Verschleiß zurückzuführen sind.

Die ausführlichen Garantieleistungen (z.B. Gewährleistungsfrist) sind den Allgemeinen

Geschäftsbedingungen (AGB) zu entnehmen. Die AGB sind auf der Internetseite ihres Händlers einzusehen oder werden auf Anfrage per Post zugestellt.

TOOL FRANCE SARL behält sich das Recht vor, jederzeit Änderungen am Produkt und Zubehör vorzunehmen

3. Sicherheit

3.1 Bestimmungsgemäße Verwendung

Die Maschine ist geeignet zum Fräsen von Holz und Holzersatzstoffen.

Die Bearbeitung anderer Werkstoffe ist nicht zulässig bzw. darf in Sonderfällen nur nach Rücksprache mit dem Maschinenhersteller erfolgen.

Es dürfen keine metallischen Werkstoffe bearbeitet werden.

Es dürfen nur Werkstücke bearbeitet werden welche sicher aufgelegt und geführt werden können.

Die bestimmungsgemäße Verwendung beinhaltet auch die Einhaltung der vom Hersteller angegebenen Betriebs- und Wartungsanweisungen.

Die Maschine darf ausschließlich von Personen bedient werden, die mit Betrieb und Wartung vertraut und über die Gefahren unterrichtet sind.

Das gesetzliche Mindestalter ist einzuhalten.

Die Maschine nur in technisch einwandfreiem Zustand benutzen.

Beim Arbeiten an der Maschine müssen sämtliche Schutzeinrichtungen und Abdeckungen montiert sein.

Neben den in der Gebrauchsanleitung enthaltenen Sicherheitshinweisen und den besonderen Vorschriften Ihres Landes sind die für den Betrieb von Holzbearbeitungsmaschinen allgemein anerkannten fachtechnischen Regeln zu beachten.

Jeder darüber hinaus gehende Gebrauch gilt als nicht bestimmungsgemäß und für daraus resultierende Schäden haftet der Hersteller nicht. Das Risiko trägt allein der Benutzer.

3.2 Allgemeine Sicherheitshinweise

Holzbearbeitungsmaschinen können bei unsachgemäßem Gebrauch gefährlich sein. Deshalb ist zum sicheren Betreiben die Beachtung der zutreffenden Unfallverhütungsvorschriften und der nachfolgenden Hinweise erforderlich.

Lesen und verstehen Sie die komplette Gebrauchsanleitung bevor Sie mit Montage oder Betrieb der Maschine beginnen.

Bewahren Sie die Bedienungsanleitung, geschützt vor Schmutz und Feuchtigkeit, bei der Maschine auf, und geben Sie sie an einen neuen Eigentümer weiter.

An der Maschine dürfen keine Veränderungen, An- und Umbauten vorgenommen werden.

Überprüfen Sie täglich vor dem Einschalten der Maschine die einwandfreie Funktion und das Vorhandensein der erforderlichen Schutzeinrichtungen.

Festgestellte Mängel an der Maschine oder den Sicherheitseinrichtungen sind zu melden und von den beauftragten Personen zu beheben.

Nehmen Sie die Maschine in solchen Fällen nicht in Betrieb, sichern Sie die Maschine gegen Einschalten durch Ziehen des Netzsteckers.

Zum Schutz von langem Kopfhaar Mütze oder Haarnetz aufsetzen.

Enganliegende Kleidung tragen.

Schmuck, Ringe und Armbanduhr ablegen.

Tragen Sie Schutzschuhe, keinesfalls Freizeitschuhe oder Sandalen.

Verwenden Sie die durch Vorschriften geforderte persönliche Schutzausrüstung.

-Augenschutz

-Gehörschutz

-Staubschutz

Beim Arbeiten mit der Maschine **keine Handschuhe** tragen.

Zum sicheren Handhaben der Fräswerkzeuge geeignete Arbeitshandschuhe tragen.

Beachten Sie das in dieser Betriebsanleitung enthaltene Kapitel zu den sicheren Arbeitsweisen.

Achten Sie auf die gebremste Auslaufzeit der Maschine, sie darf in keinem Fall 10 Sekunden übersteigen.

Eingeklemmte Werkstücke nur bei ausgeschaltetem Motor und Stillstand der Maschine entfernen.

Die Maschine so aufstellen, dass genügend Platz zum Bedienen und zum Führen der Werkstücke gegeben ist.

Sorgen Sie für gute Beleuchtung.

Achten Sie darauf, dass die Maschine standsicher auf festem und ebenem Grund steht.

Beachten Sie dass die elektrische Zuleitung nicht den Arbeitsablauf behindert und nicht zur Stolperstelle wird.

Den Arbeitsplatz frei von behindernden Werkstücken, etc. halten.

Seien Sie aufmerksam und konzentriert. Gehen Sie mit Vernunft an die Arbeit.

Achten Sie auf ergonomische Körperhaltung.

Sorgen Sie für sicheren Stand und halten Sie jederzeit das Gleichgewicht.

Arbeiten Sie niemals unter dem Einfluss von Rauschmitteln wie Alkohol und Drogen an der Maschine. Beachten Sie, dass auch Medikamente Einfluss auf Ihr Verhalten nehmen können.

Halten Sie Unbeteiligte, insbesondere Kinder vom Gefahrenbereich fern.

Entfernen Sie keine Späne, Werkstücke und Werkstückabschnitte bevor die Maschine stillsteht.

Die laufende Maschine nie unbeaufsichtigt lassen. Vor dem Verlassen des Arbeitsplatzes die Maschine ausschalten.

Benützen Sie die Maschine nicht in der Nähe von brennbaren Flüssigkeiten oder Gasen.

Beachten Sie die Brandmelde- und Brandbekämpfungsmöglichkeiten z.B. Standort und Bedienung von Feuerlöschern.

Benützen Sie die Maschine nicht in feuchter Umgebung und setzen Sie sie nicht dem Regen aus.

Achten Sie stets darauf, dass keine zu große Staubkonzentration entsteht – verwenden Sie stets eine geeignete Absauganlage.

Holzstaub ist explosiv und kann gesundheitsschädigend sein. Insbesondere tropische Hölzer und harte Hölzer wie Buche und Eiche sind als krebserregend eingestuft.

Vor der Bearbeitung Nägel und andere Fremdkörper aus dem Werkstück entfernen.

Die Maschine niemals mit abgebauten Schutzeinrichtungen betreiben. Hohe Verletzungsgefahr!

Verwenden Sie je nach Einsatzzweck die entsprechende Schutzeinrichtung, die ein sicheres Führen des Werkstückes gewährleistet.

Passen Sie die Schutzeinrichtung genau an den Einsatzzweck und die Werkstückabmessungen an.

Passen Sie die Frässpindeldrehzahl an den Werkzeugdiameter an.

Halten Sie immer ausreichend Abstand zum Fräswerkzeug.

Fassen Sie beim Führen des Werkstücks niemals mit den Händen unter den Frässchutz!

Bearbeiten Sie nur ein Werkstück, das sicher auf dem Tisch aufliegt.

Das Werkstück nur gegen die Fräserlaufrichtung vorschieben.

Bei Werkstücklängen unter 300mm sind besondere Hilfsmittel (z.B. Schiebelade) erforderlich.

Bearbeiten Sie kein Werkstück welches nicht mit einem ausreichenden Sicherheitsabstand zum Fräswerkzeug geführt werden kann.

Zapfenschneiden und Schlitzen erfordern die optional erhältliche Zapfenschneid Vorrichtung.

Bei schmalen Werkstücken am Ende der Bearbeitung mit dem Schiebehölz vorschieben.

Der Schiebestock oder der Handgriff für eine Schiebehölz sollte bei Nichtbenützung immer an der Maschine aufbewahrt werden.

Die min. und max. Werkstückabmessungen müssen eingehalten werden.

Späne und Werkstücke nur bei stehender Maschine entfernen.

Benutzen Sie stets scharfe Fräswerkzeuge.

Nur mit sicher festgeklemmtem Fräsanschlag arbeiten.

Verwenden Sie zur Reduzierung der Verletzungs- und Rückschlaggefahr nur geeignete Fräswerkzeuge, welche EN 847-1 bzw. EN 847-2 entsprechen und mit „MAN“ gekennzeichnet sind.

Bei langen Werkstücken, vor und hinter der Maschine Rollenständer benutzen.

Die Oberfläche des Frästisches sauber halten, insbesondere Harzrückstände entfernen

Arbeiten an der elektrischen Ausrüstung der Maschine dürfen nur durch eine Elektrofachkraft vorgenommen werden.

Nicht auf der Maschine stehen.

Tauschen Sie ein beschädigtes Netzkabel sofort aus.

Umrüst-, Einstell- und Reinigungsarbeiten nur im Maschinenstillstand und bei gezogenem Netzstecker vornehmen.

3.3 Restrisiken

Auch bei vorschriftsmäßiger Benutzung der Maschine bestehen die nachfolgend aufgeführten Restrisiken:

Berührung des Fräswerkzeugs im Schnittbereich. Für einen wirkungsvollen Schutz muss der Frässhut immer an das Werkstück und die Bearbeitung angepasst werden.

Rückschlaggefahr. Das Werkstück wird vom rotierenden Fräswerkzeug erfasst und gegen den Bediener geschleudert.

Gefährdung durch wegfliegende Werkstückteile.

Gefährdung durch Lärm und Staub.

Unbedingt persönliche Schutzausrüstung wie Augen- und Gehörschutz tragen. Absauganlage einsetzen.

Gefährdung durch Strom, bei nicht ordnungsgemäßer Verkabelung.

4. Maschinenspezifikation

4.1 Maschinen Beschreibung

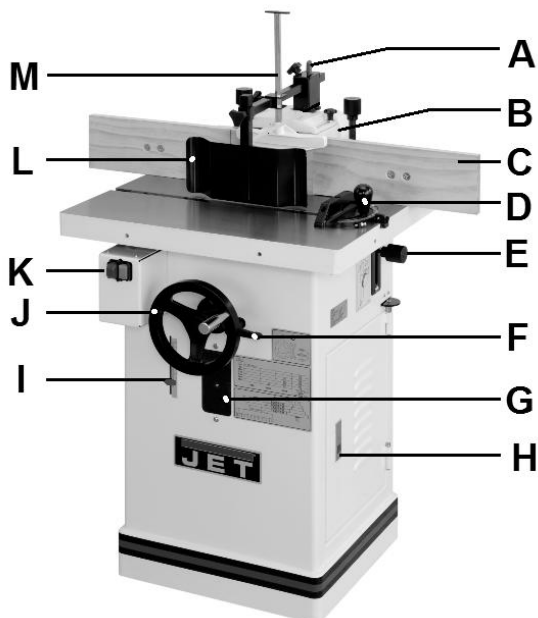


Fig1

- A Frässhut-Klemmung
- B Fräsanschlag
- C Anschlaglineale
- D Gehrungsanschlag
- E...Spindelarreterierung
- F...Spindel Vertikal-Klemmung
- G Sichtfenster (Drehzahl)
- H Tür für Drehzahlwechsel
- I...Spindel Höhenskala
- J...Spindel Handrad
- K Ein/Aus Schalter
- L Frässhut Seitendruckschuh
- M Frässhut Niederdruckschuh

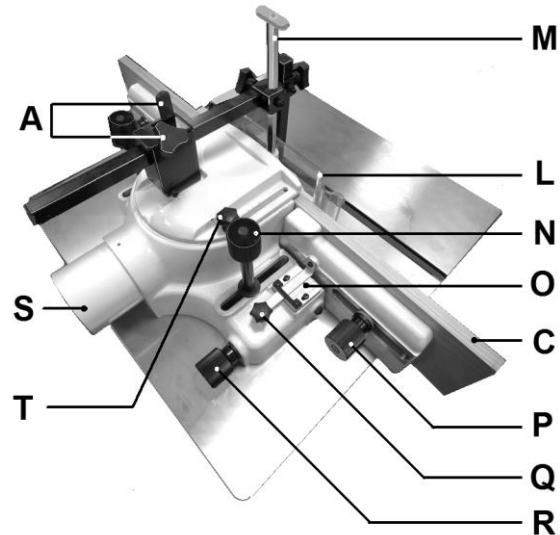


Fig 2

- N Anschlag-Tischklemmung
- O Linealversatz Skala
- P Anschlaglineal Klemmung
- Q Linealversatz Klemmung
- R Linealversatz Stellgriff
- S Späneabsaugstutzen
- T Fräsanschlagdeckel Klemmung

4.2 Technische Daten

Leerlaufdrehzahl n_0	1700/3500/6000/8000 U/min
Tischabmessung	635x600mm
Tischhöhe	830mm
Fräsdorn Durchmesser	30mm
Fräsdorn Einspannhöhe	70mm
Spindelhub	80mm
Spannzangenaufnahme	8 und 12mm
Tischöffnung Durchmesser	160mm
Werkzeughöhe max.	180mm
Werkzeug über Tisch max.	120mm
Absaugstutzen Durchmesser	100mm
Abmessungen LxBxH	920x680x1090mm
Maschinengewicht	156 kg
Netzanschluss	230V ~/N/PE 50Hz
Abgabeleistung	1,5 kW (2 PS) S1
Betriebsstrom	10 A
Anschlussleitung (H07RN-F)	3x1, 5mm ²
Bauseitige Absicherung	16A

Netzanschluss	400V ~3/PE 50Hz
Abgabeleistung	2.2 kW (3 PS) S1
Betriebsstrom	5 A
Anschlussleitung (H07RN-F)	4x1, 5mm ²
Bauseitige Absicherung	16A

4.3 Schallemission

Werte ermittelt nach EN 848-1
(Messunsicherheitsfaktor 4 dB)

Werkstück Fichte:

B=100mm, L=1000mm, Feuchte 8,5%

Schalleistungspegel
(nach EN ISO 3746):

Leerlauf LwA 83 dB(A)

Bearbeitung LwA 90 dB(A)

Schalldruckpegel

(nach EN ISO 11202):

Leerlauf LpA 74 dB(A)

Bearbeitung LpA 83 dB(A)

Die angegebenen Werte sind Emissionspegel und sind nicht notwendigerweise Pegel für sicheres Arbeiten.

Obwohl es einen Zusammenhang zwischen Emissions- und Immissionspegel gibt, kann daraus nicht zuverlässig abgeleitet werden, ob zusätzliche Maßnahmen erforderlich sind.

Die den aktuellen am Arbeitsplatz vorhandenen Immissionspegel beeinflussenden Faktoren umfassen die Dauer der Exposition, die Raumcharakteristik, andere Lärmquellen usw. wie z.B. die Anzahl der Maschinen und andere benachbarte Bearbeitungsvorgänge. Außerdem kann der zulässige Immissionspegel von Land zu Land unterschiedlich sein.

Trotzdem ist diese Information geeignet, dem Anwender der Maschine eine bessere Abschätzung der Gefährdung und des Risikos zu ermöglichen.

4.4 Staubemission

Die Tischfräsmaschine JWS-34KX wurde staubemissionsbewertet.

Bei 20 m/s Luftgeschwindigkeit am Absaugstutzen Durchmesser 100mm:

Unterdruck 800 Pa

Volumenstrom 565 m³/h

Ein Staubgehalt von 2 mg/m³ am Arbeitsplatz ist dauerhaft eingehalten.

4.5 Lieferumfang

30mm Spindel mit Spindelringen

Spannzange 8 und 12mm

Fräsanschlag

Vorsatzbrett

Frässhutz (Seiten- und Niederdruckschuh)

Schiebestock

Bogenfräsanschlag

Gehrungsanschlag

Bedienwerkzeug

Montagezubehör

Gebrauchsanleitung

Ersatzteilliste

5. Transport und Inbetriebnahme

5.1. Transport und Aufstellung

Zum Transport verwenden Sie einen handelsüblichen Stapler oder Hubwagen. Sichern Sie die Maschine beim Transport gegen Umfallen.

Die Aufstellung der Maschine sollte in geschlossenen Räumen erfolgen, tischlerübliche Bedingungen in der Werkstatt sind dabei ausreichend.

Die Aufstellfläche muss ausreichend eben und belastungsfähig sein. Die Maschine kann bei Bedarf auf der Aufstellfläche befestigt werden.

Aus verpackungstechnischen Gründen ist die Maschine nicht komplett montiert.

5.2 Montage

Wenn Sie beim Auspacken einen Transportschaden feststellen benachrichtigen Sie umgehend Ihren Händler, nehmen Sie das Gerät nicht in Betrieb!

Entsorgen Sie die Verpackung bitte umweltgerecht.

Entfernen Sie das Rostschutzfett mit einem milden Lösungsmittel.

Montieren Sie die Kurbel auf das Handrad.

Montieren Sie den Frässhutz mit den beigelegten Schrauben (D, Fig 3) auf den Deckel des Fräsanschlags. Zum Aufschwenken des Fräsanschlags den Hebel nach Hinten drücken.

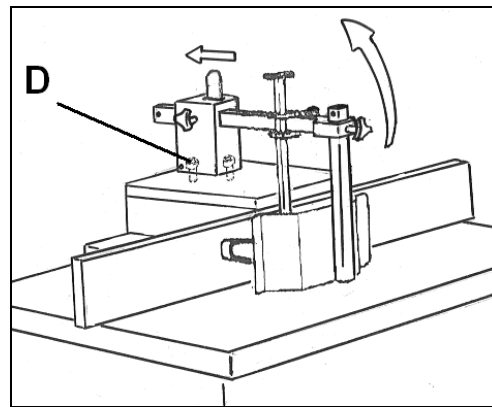


Fig 3

5.3 Elektrischer Anschluss

Der kundenseitige Netzanschluss sowie die verwendeten Verlängerungsleitungen und Stecker müssen den Leistungsschilddaten der Maschine entsprechen.

Die bauseitige Absicherung muss 16A betragen.

Verwenden Sie nur Verlängerungsleitungen mit Kennzeichnung H07RN-F, mit einem Mindest-Leiterquerschnitt von 1,5mm²

Kabel und Stecker müssen frei von Beschädigung sein.

Anschlüsse und Reparaturen der elektrischen Ausrüstung dürfen nur von einer Elektrofachkraft durchgeführt werden.

ACHTUNG:

-Vor dem Start der Maschine, prüfen Sie den freien Lauf der Frässpindel und das Vorhandensein aller Sicherheitseinrichtungen.

Auf korrekte Drehrichtung der Frässpindel achten (gegen den Uhrzeigersinn).

- Bei falscher Drehrichtung ist der Phasenwender des CEE-Steckers gedrückt um 180° zu drehen.

5.4 Absaug Anschluss

Die Maschine muss vor der Inbetriebnahme an eine Absaugung angeschlossen werden und zwar derart, dass sich beim Einschalten der Maschine die Absaugung selbsttätig mit einschaltet.

Die Mindestluftgeschwindigkeit am Absaugstutzen muss 20 m/s betragen.

Absaugschläuche müssen der Qualität „schwer entflammbar“ entsprechen und in die Erdung der Maschine mit einbezogen werden.

5.5 Inbetriebnahme

Mit dem grünen Eintaster am Hauptschalter kann die Maschine gestartet werden: Mit dem roten Aus-Taster kann die Maschine stillgesetzt werden.

Bei Überlastung des Motors schaltet dieser selbsttätig ab. Nach einer Abkühlzeit von ca. 10 Minuten lässt sich die Maschine wieder einschalten.

6. Betrieb der Maschine

Richtige Arbeitsstellung:

Stellen Sie sich seitlich versetzt vor die Maschine (Fig 4)

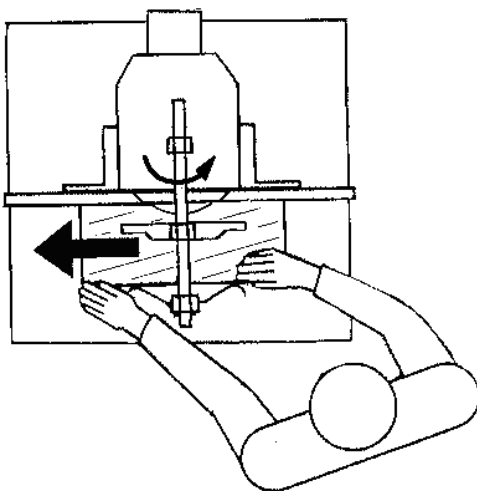


Fig 4

Werkstückhandhabung:

Das Werkstück gerade über den Maschinentisch schieben. Dabei die Finger geschlossen halten und mit der flachen Hand Führen.

Fassen Sie mit den Händen niemals unter oder hinter den Frässchutz.

Halten Sie immer ausreichend Abstand zum rotierenden Fräswerkzeug.

Führen Sie das Werkstück beim Bearbeiten nur gegen die Laufrichtung des Werkzeugs (Fig 4).

Bei schmalen Werkstücken am Ende der Bearbeitung mit dem Schiebeh Holz vorschieben.

Verwenden Sie eine Zuführhilfe, wenn Sie ein Werkstück unter 300mm Länge bearbeiten.

Fräsen Sie Werkstücke stets über die volle Länge.

Einsetzarbeiten sind nur unter Zuhilfenahme von geeigneten Längsanschlägen (Fig 5) zulässig.

...hohe Rückschlaggefahr!!!

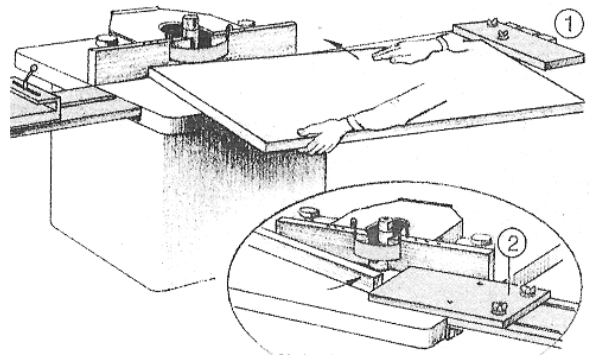


Fig 5

Zapfenschneiden und Schlitten erfordern die optional erhältliche Zapfenschneid-Vorrichtung (siehe Kapitel 7.9).

Nur mit sicher festgeklammertem Fräsanschlag arbeiten.

Vor dem Bearbeiten des Werkstücks, an einem Abfallstück eine Probefräsung vornehmen.

Lange Werkstücke durch Rollenböcke oder Tischverlängerung abstützen.

Bearbeiten Sie immer nur ein Werkstück zugleich.

Die Maschine niemals mit abgebauten Schutzeinrichtungen betreiben.

- Hohe Verletzungsgefahr!

Halten Sie immer ausreichend Abstand zum Fräswerkzeug.

Bearbeiten Sie kein Werkstück welches nicht sicher, mit einem ausreichenden Sicherheitsabstand zum Fräswerkzeug geführt werden kann.

Bei komplizierten Formen, Schablonen zum exakten und sicheren Führen herstellen.

Passen Sie die Frässpindeldrehzahl an den Werkzeugdurchmesser an.

Zur bestimmungsgemäßen Verwendung der Maschine beachten Sie auch den Anhang A

“Sicheres Arbeiten“

(auf den letzten Seiten der Bedienungsanleitung)

- A.1.: Fräsen von Platten
- A.2.: Fräsen von Längsseiten
- A.3.: Fräsen von Querseiten
- A.4.: Einsetzfräsen
- A.5.: Fräsen von Konturen

7. Rüst- und Einstellarbeiten

Allgemeine Hinweise

Vor Rüst- und Einstellarbeiten muss die Maschine gegen Inbetriebnahme gesichert werden.

Netzstecker ziehen!

Prüfen Sie die freie Rotation des Werkzeugs nach jedem Rüst- und Einstellvorgang.

7.1 Drehzahleinstellung

Achtung:

Die Drehzahl der Frässpindel muss passend zum Durchmesser des Fräswerkzeugs eingestellt werden.

Die dem Werkzeugdurchmesser und der Drehzahl entsprechende Schnittgeschwindigkeit in m/sec ist am Diagramm (Fig 6) ersichtlich.

Dieses Diagramm befindet sich auch auf der Maschinenfront.

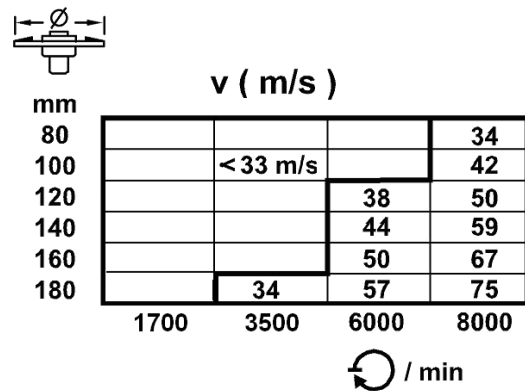


Fig 6

Bei kleinen Werkzeugdurchmessern und bei niedriger Drehzahl ist eine erhöhte Rückschlaggefahr gegeben.

Die auf jedem Werkzeug angezeigte maximal erlaubte Drehzahl (rpm, /min, min⁻¹) darf niemals überschritten werden.

Schafffräswerkzeuge nur in der höchsten Drehzahl (8000 U/min) betreiben.

Den Schleifdorn nur in der niedrigsten Drehzahl (1700 U/min) betreiben.

Die Drehzahl wird durch Umlegen des Vielkeilriemens verstellt (Fig 7).

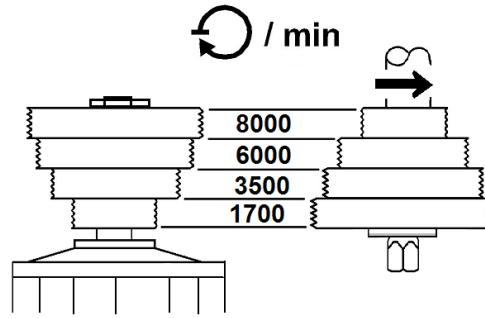


Fig 7

Drehzahlen:
1700, 3500, 6000, 8000 U/min

Die eingestellte Drehzahl (Riemenstellung) kann am Sichtfenster überprüft werden.

7.2 Fräsdorn Montage

Der Fräsdorn ist mit einer Zugstange und einer Differentialmutter auf der Maschinenspindel befestigt. Folgen Sie zur Fräsdornmontage den folgenden Anweisungen.

Die Stromzufuhr durch Ziehen des Netzsteckers trennen.

Die Spindelarretierung einrasten.

Dazu Rastbolzen ziehen und 90° drehen (Fig 8).

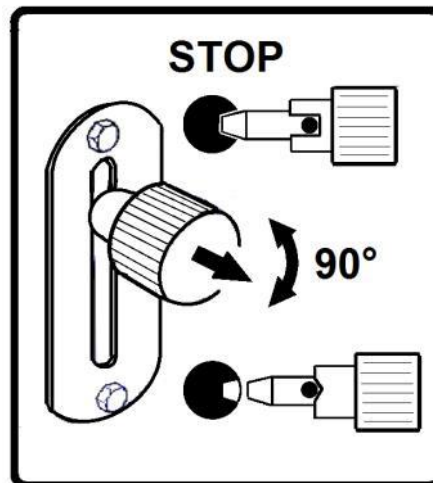


Fig 8

Die Tisch Einlegeringe entfernen.

Den Fräsdornkegel und die Spindelaufnahme (T, Fig 9) reinigen.

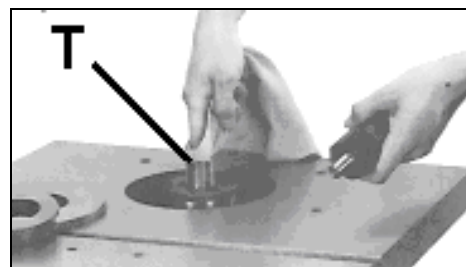


Fig 9

1) Schrauben Sie die Differentialmutter (N, Fig 10) auf die Maschinenspindel.
Halten Sie ca. 2 Umdrehungen (4mm) Abstand zum Gewindeende..

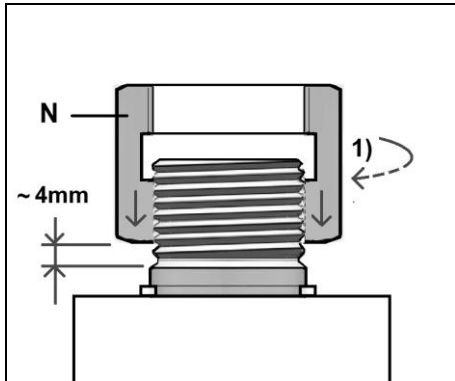


Fig 10

2) Montieren Sie den Fräsdorn (A, Fig 11), schrauben Sie ihn in die Differentialmutter (N).
Die Differentialmutter zunächst nur leicht festziehen.

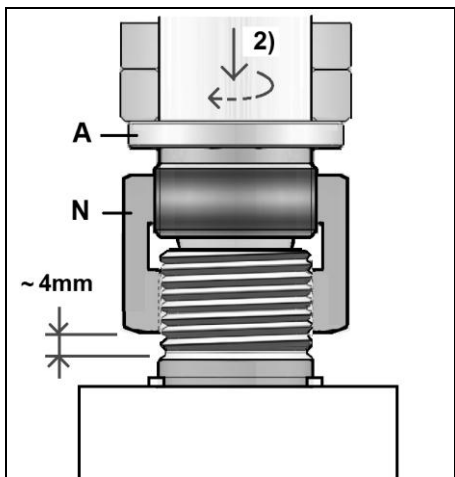


Fig 11

3) Die Dehnschraube (D, Fig 12&13) von unten in die Spindel einsetzen und mit dem gelieferten Gabelschlüssel festziehen.

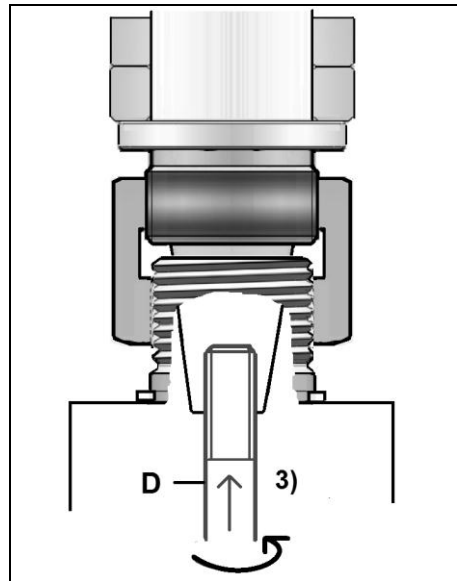


Fig 12

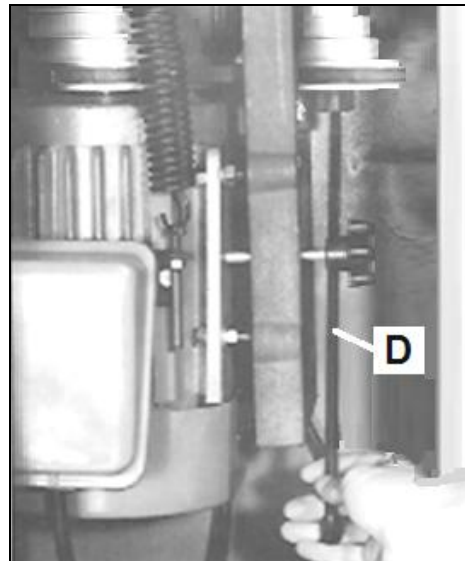


Fig 13

4) Nun die Differentialmutter (N) mit dem gelieferten Schlüssel (S) festziehen (Fig 14&15)

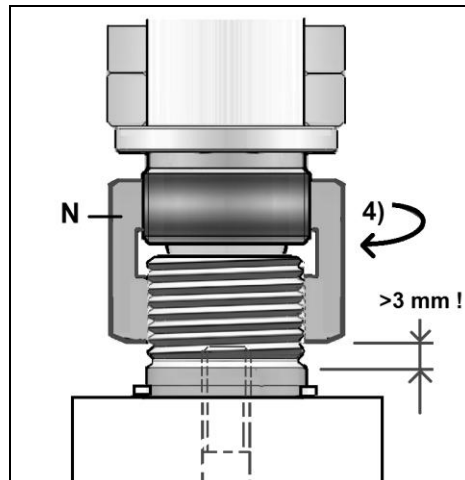


Fig 14

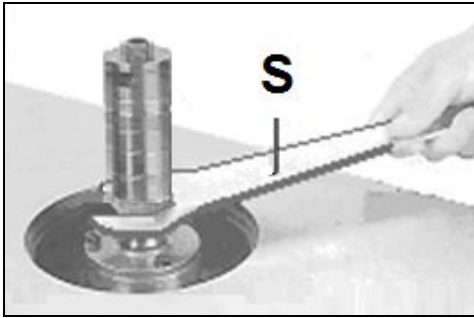


Fig 15

Achtung:

Prüfen Sie die korrekte Position der Differentialmutter. Der Abstand zum Gewindeende muss mindestens 3mm betragen.

Das Fräswerkzeug montieren (siehe Kapitel 7.4):

Die Spindelarreterierung lösen.

Den Netzanschluss wieder herstellen.

Die Maschine vorsichtig starten.

Fräsdorn Demontage:

Die Dehnschraube (D, Fig 12&13) ist zuerst zu entfernen.

7.3 Spannzangen Montage

Die Stromzufuhr durch Ziehen des Netzsteckers trennen.

Den Fräsdorn entfernen(siehe Kapitel 7.2)

Die Spannzange mit Mutter montieren (Q, Fig 16).

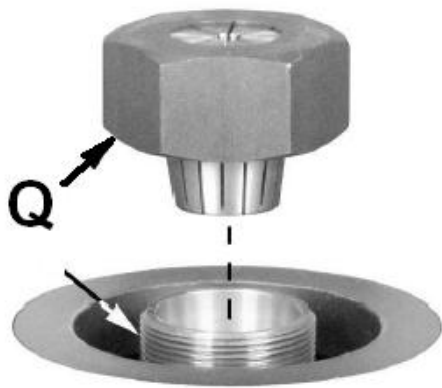


Fig 16

Mit der Maschine geliefert:

- Spannzange Durchmesser 8mm
- Spannzange Durchmesser 12mm

Verwenden Sie zur Reduzierung der Verletzungs- und Rückschlaggefahr nur Schaftfräswerkzeuge, welche EN 847-2 entsprechen und mit „MAN“ gekennzeichnet sind.

Das Schaftfräswerkzeug muss in der Spannzange auf einer Länge von mindestens 20mm geklemmt sein.

Die Mutter (Q) festziehen.

Den Freiraum um die Spindel je nach Durchmesser des Fräswerkzeugs mit Einlegeringen abdecken (A, Fig 18)

Achtung:

Bei kleinen Werkzeugdurchmessern und bei niedriger Drehzahl ist eine erhöhte Rückschlaggefahr gegeben. Schaftfräswerkzeuge nur in der höchsten Drehzahl (8000 U/min) betreiben.

Die Spindelblockierung lösen.

Die Anschlaglineale auf ca. 5mm Abstand an den Werkzeugflugkreis anstellen.

Den Netzanschluss wieder herstellen.

Die Maschine vorsichtig starten.

7.4 Fräswerkzeug Montage

Der Werkzeugwechsel darf nur bei eingerasteter Spindelblockierung und bei gezogenem Netzstecker erfolgen.

Fräswerkzeuge sind scharf. Zum Wechseln immer geeignete Arbeitshandschuhe tragen.

Oberflächen der Fräswerkzeuge und Fräsdorne sauber halten, mit Harzlöser reinigen (verwenden Sie keine Reinigungsmittel, welche die Leichtmetallbauteile angreifen können).

Verwenden Sie zur Reduzierung der Verletzungs- und Rückschlaggefahr nur geeignete Fräswerkzeuge, welche EN 847-1 bzw. EN 847-2 entsprechen und mit „MAN“ gekennzeichnet sind.

Ungeeignete, falsch montierte, stumpfe oder beschädigte Fräswerkzeuge können brechen bzw. die Rückschlaggefahr stark erhöhen.

Die Montage von Schleif- oder Polierwerkzeugen ist unzulässig

Das Fräswerkzeug muss auf dem Fräsdorn so weit unten wie möglich montiert werden (Fig 17).

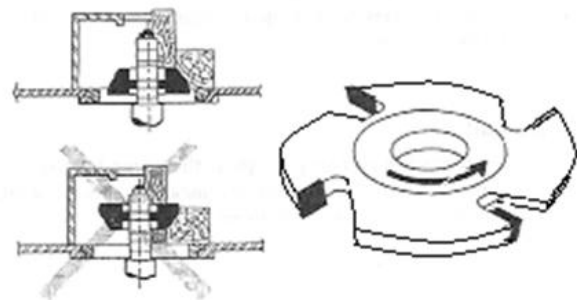


Fig 17

Die Drehrichtung des montierten Werkzeugs beachten (gegen den Uhrzeigersinn).

Den Fräsdorn bis zur Spannscheibe mit Fräsdornringen auffüllen.

Das Werkzeug mit der Innensechskantschraube festklemmen (keine Werkzeugverlängerung oder Hammerschläge verwenden).

Den Freiraum um die Spindel je nach Durchmesser des Fräswerkzeugs mit Einlegeringen abdecken (A, Fig 18)

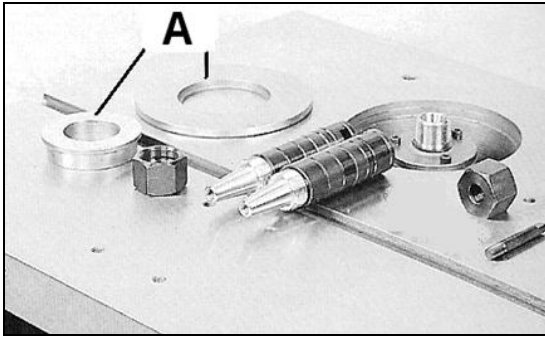


Fig 18

Achtung:

Die Drehzahl der Frässpindel muss passend zum Durchmesser des Fräswerkzeugs eingestellt werden. Die auf jedem Werkzeug angezeigte maximal erlaubte Drehzahl (rpm, /min, min^{-1}) darf niemals überschritten werden.

Die Spindelblockierung lösen.

Die Anschlaglineale auf ca. 5mm Abstand an den Werkzeugflugkreis anstellen.

Den Netzanschluss wieder herstellen.

Die Maschine vorsichtig starten.

7.5 Spindel-Höhenverstellung

Nach dem Lösen des Klemmhebels lässt sich die Spindelhöhe am Handrad einstellen. Eine Umdrehung entspricht dabei einem Hub von 8mm (2mm je Vierteldrehung).

7.6 Fräsanschlag Montage

Das Fräsanschlaggehäuse zuerst montieren. Dazu die beiden Griffschrauben in die Gewindelöcher am Maschinentisch einschrauben.

Die Anschlaglineale auf ca. 5mm Abstand an den Werkzeugflugkreis anstellen.

Um schmale Leisten durchgehend zu führen verwenden Sie das gelieferte Vorsatzbrett (A, Fig 19)

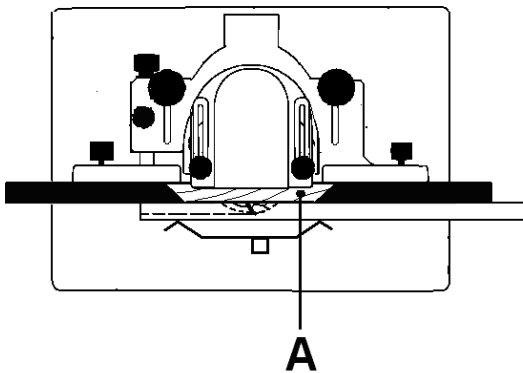


Fig 19

Das Vorsatzbrett wird zwischen die Anschlaglineale geklemmt.

Es ist ein Verschleißteil, und muss neu angefertigt werden wenn der Freiraum um das Werkzeug zu groß wird.

Verwenden Sie nach Möglichkeit ein Reststück zur richtigen Positionierung und Einstellung des Fräsanschlags.

Den Frässchutz zur sicheren und stabilen Führung des Werkstücks und zum Schutz vor versehentlichem Berühren des Werkzeugs einsetzen.

Der Frässchutz ist am Deckel des Fräsgehäuses befestigt und kann zu Rüstzwecken hochgeklappt werden.

Den Fräsanschlag an die Späneabsauganlage anschließen.

Vor dem Start der Maschine prüfen Sie die freie Rotation des Fräswerkzeugs und ob alle Maschinenelemente festgespannt sind.

7.7 Bogenfräsanschlag Montage

Der mit der Maschine gelieferte Bogenfräsanschlag (Fig 20) kann am Maschinentisch befestigt werden und erlaubt einen maximalen Werkzeugdurchmesser von 150mm.

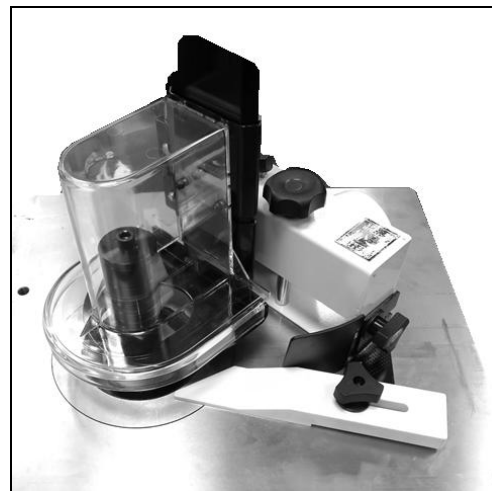


Fig 20

Installieren Sie zuerst den Grundkörper.

Im Maschinentisch sind dafür eine M8 Gewindebohrung (A, Fig 21) und eine 8mm Indexierbohrung (P) vorgesehen

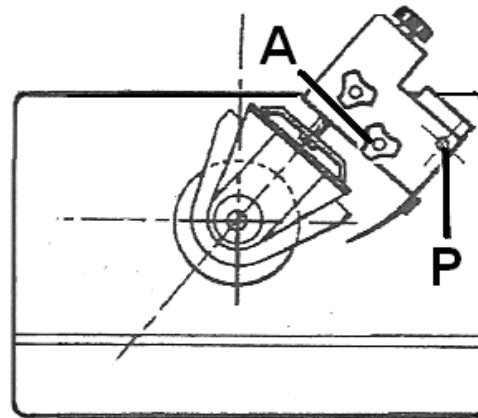


Fig 21

Klemmen Sie den Werkstück Führungsschuh (B, Fig 22) abhängig von der Werkstückhöhe und dem Werkzeugdurchmesser.

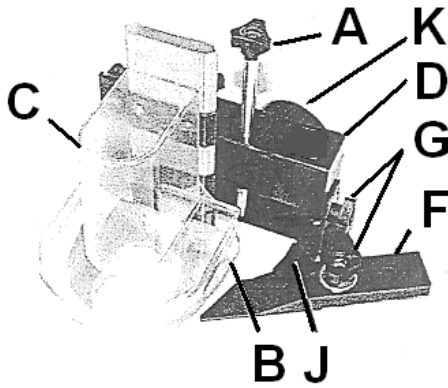


Fig 22

Stellen Sie die gewünschte Spanabnahme am Griff (E, Fig 23) ein.

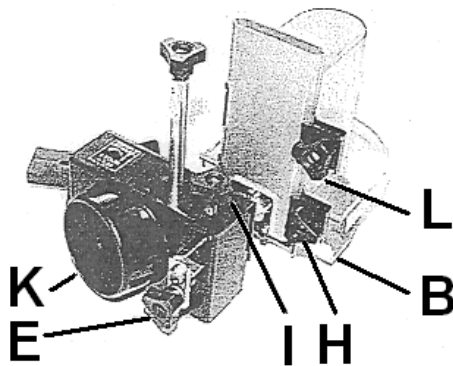


Fig 23

Senken sie den durchsichtigen Schutz (C) auf das Werkstück ab.

Die Absauganlage am Stutzen (K) anschließen.

Vor dem Start der Maschine prüfen Sie die freie Rotation des Fräswerkzeugs und ob alle Elemente festgespannt sind.

Starten Sie die Bearbeitung indem Sie das Werkstück entlang der Zuführleiste (F) führen. Dadurch tritt das Werkstück langsam und dadurch sicher in den Fräserflugkreis ein. Die maximale Spanabnahme wird am Markierungspfeil erreicht.

Führen Sie das Werkstück weiterhin am Markierungspfeil. Dadurch ist eine gleichbleibende Spanabnahme gewährleistet.

Bei komplizierten Formen, Schablonen zum exakten und sicheren Führen herstellen.

7.8 Schleifdorn Montage

Der optional erhältliche Schleifdorn kann anstelle des Fräsdorns montiert werden.

Der Dornwechsel darf nur bei eingerasteter Spindelblockierung und bei gezogenem Netzstecker erfolgen.

Es können Schleifhülsen mit Durchmesser 25, 38, 50, 75 und 100mm verwendet werden.

Den Freiraum um den Schleifdorn je nach Durchmesser der Schleifhülse mit Tisch-Einlegeringen abdecken.

Montieren Sie den Bogenfräsanschlag zur Staubabsaugung (Fig 24).

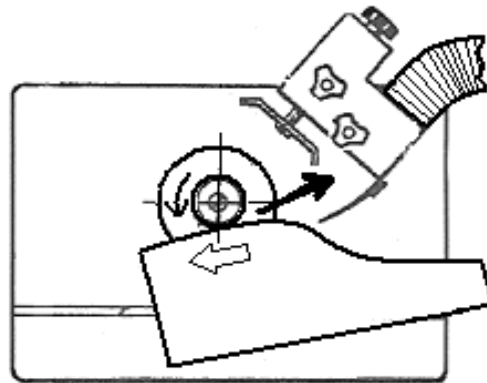


Fig 24

Achtung:

Der Schleifdorn darf nur in der niedrigsten Drehzahl (1700 U/min) betrieben werden.

Vor dem Start der Maschine prüfen sie die freie Rotation des Schleifdorns und ob alle Elemente festgespannt sind.

Das Werkstück gerade über den Maschinentisch schieben, dabei die Finger geschlossen halten und mit der flachen Hand Führen.

Halten Sie immer ausreichend Abstand zum rotierenden Schleifdorn.

7.9 Zapfenschneidschlitten Montage

Der optional erhältliche Zapfenschneidschlitten wird in der Maschinentisch T-Nut geführt.

Der Werkstück-Niederhalter (C, Fig 25) und das Gehrungslinial mit Anschlag (E) gewährleisten die Stabilität des Werkstückes während der Bearbeitung.

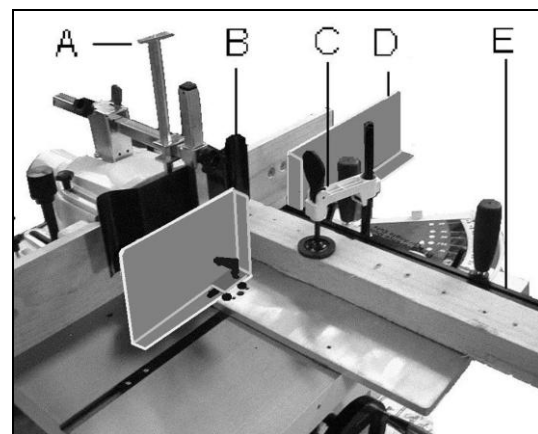


Fig 25

Die Schutzabdeckungen (D) müssen Richtung Werkstück eingestellt und festgeklemmt werden.

- Werkstückhöhe max 100mm
- Werkstückbreite max 120mm

Stellen sie den Fräsanschlag und die Anschlaglineale passend zum Werkzeugdurchmesser ein.

Der Seitendruckschuh (B) wird als Berührungsschutz oberhalb des Werkstücks positioniert.

Der Niederdruckschuh (A) wird maximal angehoben.

Vor dem Start der Maschine prüfen Sie die freie Rotation des Fräswerkzeugs und ob alle Elemente festgespannt sind.

Den Arbeitsgang durch Verschieben des Schlittens in Richtung Werkzeug beginnen. Das Werkstück dabei mit beiden Händen am Gehrungslinial (E) festklemmen.

Halten Sie immer ausreichend Abstand zum rotierenden Fräswerkzeug.

Hinweis:

Zapfenschnitten erfordert Leistung und Drehmoment. In den meisten Fällen wird eine Drehzahl von 3500 U/min die besten Ergebnisse liefern.

8. Wartung und Inspektion

Allgemeine Hinweise

Vor Wartungs- Reinigungs- und Reparaturarbeiten muss die Maschine gegen Inbetriebnahme gesichert werden.

Netzstecker ziehen!

Reinigen Sie die Maschine in regelmäßigen Zeitabständen.

Prüfen Sie täglich die ausreichende Funktion der Absaugung.

Beschädigte Sicherheitseinrichtungen sofort ersetzen.

Sämtliche Schutzeinrichtung sofort wieder anbringen.

Anschlüsse und Reparaturen der elektrischen Ausrüstung dürfen nur von einer Elektrofachkraft durchgeführt werden.

Antrieb:

Die Antriebsriemenspannung muss regelmäßig kontrolliert werden.

Die Motorbremse funktioniert elektro-mechanisch (Bremsmotor).

Sollte die Bremszeit 10 sec. überschreiten muss das Bremsmodul (JET Artikel Nr. JWS34-BME) ersetzt werden.

Setzen Sie sich unverzüglich mit ihrem Jet Kundendienst in Verbindung.

9. Störungsabhilfe

Motor startet nicht

*Kein Strom-Zuleitung und Sicherung prüfen.

*Motor, Schalter oder Kabel defekt-Elektrofachkraft kontaktieren.

*Überlastschutz hat reagiert-Abkühlen lassen und erneut starten.

*Spindelindexierung ist eingerastet.

Drehzahl kommt nicht hoch

*Werkzeug zu groß oder zu schwer-niedere Drehzahlstufe wählen.

*Zuleitung zu lang oder zu schwach-Stromversorgung verbessern.

*Riemenspannung zu hoch-Riemenspannung korrigieren.

Falsche Spindel Drehrichtung

*Drehstrom Phasenfolge ist verkehrt-Den Phasenwender am Netzstecker gedrückt 180° drehen.

Starke Maschinenvibrationen

*Maschine steht uneben-Ausgleich schaffen.

*Schadhaftes Fräswerkzeug-Werkzeug sofort austauschen.

Bearbeitete Oberfläche ist schlecht

*Fräswerkzeug stumpf-Werkzeug austauschen.

*Fräswerkzeug durch Späne zugesetzt-Späne entfernen.

*Spanabnahme zu hoch-in mehreren Durchgängen fräsen.

*Gegen die Faser gearbeitet-Werkstück umdrehen.

*Werkstück inhomogen.

*Werkstückfeuchte zu hoch.

Frässtufe

*Fräsanschlag schlecht eingestellt-Vorsatzbrett einsetzen wenn möglich.

*Freiraum in Tischbohrung zu groß-Einlegeringe verwenden.

*Unzureichende Werkstückführung-Frässchutzeinstellung verbessern.

Höhenverstellg. schwergängig

*Unzureichende Schmierung-Spindelführung ölen.

*Führung geklemmt.

Fräsleistung gering

*Riemen rutscht-Riemen nachspannen oder tauschen.

*Tischflächen verharzt-Reinigen und Gleitwachs auftragen.

10. Umweltschutz

Schützen Sie die Umwelt!

Ihr Gerät enthält mehrere unterschiedliche, wieder verwertbare Werkstoffe.

Bitte entsorgen Sie es an einer spezialisierten Entsorgungsstelle.



Dieses Symbol verweist auf die getrennte Sammlung von Elektro- und Elektronikgeräten, gemäß Forderung der WEEE-Richtlinie (2012/19/EU). Diese Richtlinie ist nur innerhalb der Europäischen Union wirksam.

11. Lieferbares Zubehör

Artikel Nummer 1000251

Wechseldorn 30mm mit Fräsdornringen.

Artikel Nummer 1000252

Schleifdorn und Walzen incl. Schleifhülsen 25, 38, 50, 75, 100mm

-Für Schleifhülsen in unterschiedlicher Körnung siehe die JET-Preisliste (JVOS-10).

Artikel Nummer 1000253

Zapfenschneid-Schlitten

Artikel Nummer 709207

Rollenbock klappbar

12. Sicheres Arbeiten

Siehe Anhang A (auf den letzten Seiten der Bedienungsanleitung)

FR - FRANCAIS

Mode d'emploi

Cher client,

Nous vous remercions de la confiance que vous nous portez avec l'achat de votre nouvelle machine JET. Ce manuel a été préparé pour l'opérateur de la **toupie JET JWS-34KX**. Son but, mis à part le fonctionnement de la machine, est de contribuer à la sécurité par l'application des procédés corrects d'utilisation et de maintenance. Avant de mettre l'appareil en marche, lire les consignes de sécurité et de maintenance dans leur intégralité. Pour obtenir une longévité et fiabilité maximales de votre toupie, et pour contribuer à l'usage sûr de la machine, veuillez lire attentivement ce mode d'emploi et suivre les instructions.

Table des Matières

1. Déclaration de conformité

2. Garantie

3. Sécurité

Utilisation conforme
Consignes de sécurité
Risques

4. Spécifications

Description de la machine
Indications techniques
Emission de bruit
Emission de poussières
Contenu de la livraison

5. Transport et montage

Transport et
Montage
Raccordement au réseau électr.
Racc. au collecteur de poussières
Mise en exploitation

6. Fonctionnement de la machine

7. Réglages

Réglage de la vitesse
Montage du mandrin
Montage des pinces de serrage
Montage de l'outil de toupillage
Déplacement vertical de l'arbre
Montage guide de toupie
Montage guide à l'arbre
Montage broche ponceuse
Montage plateau de tenonnage

8. Entretien et inspection

9. Détecteur de pannes

10. Protection de l'environnement

11. Accessoires

12. «travailler sûrement» annexe A

1. Déclaration de conformité

Par le présent et sous notre responsabilité exclusive, nous déclarons que ce produit satisfait aux normes conformément aux lignes directrices indiquées page 2.

2. Garantie

TOOL FRANCE SARL garantit que le produit fourni est exempt de défauts matériels et de défauts de fabrication.

Cette garantie ne couvre pas les défauts qui sont causés, directement ou indirectement, par l'utilisation incorrecte, la négligence, les dommages accidentels, la réparation, la maintenance ou le nettoyage incorrects et l'usure normale.

Les détails sur la garantie (période de garantie par exemple) peuvent être trouvés dans les conditions générales (GTC) faisant partie intégrante du contrat. Ces conditions générales peuvent être consultées sur le site web de votre revendeur ou vous être envoyées sur demande.

TOOL FRANCE SARL se réserve le droit d'effectuer des changements sur le produit et les accessoires à tout moment.

3. Sécurité

3.1 Utilisation conforme

Cette toupie convient au toupillage du bois et des dérivés du bois. Le travail d'autres matériaux est interdit et ne peut être effectué que dans des cas spéciaux et après accord du fabricant de la machine.

La machine n'est pas conçue pour un toupillage de matériaux métalliques.

La pièce doit pouvoir être posée et guidée sans problème.

L'utilisation conforme implique le strict respect des instructions de service et de maintenance indiquées dans ce manuel.

La machine doit être exclusivement utilisée par des personnes familiarisées avec le fonctionnement, la maintenance et la remise en état, et qui sont informées des dangers correspondants.

L'âge minimum requis par la loi est à respecter.

La machine ne doit être utilisée que si elle est techniquement en parfait état.

N'utiliser la machine que si tous les dispositifs de sécurité et de protection sont en place.

Toutes les directives relatives à la prévention des accidents ainsi que les consignes de sécurité doivent être scrupuleusement respectées.

En cas d'utilisation non-conforme de la machine, le fabricant décline toute responsabilité qui est en tel cas rejetée exclusivement sur l'utilisateur.

3.2 Consignes de sécurité

L'utilisation non-conforme d'une toupie peut être très dangereuse. C'est pourquoi vous devez lire attentivement ce mode d'emploi avant de monter ou d'utiliser votre appareil.

Conserver à proximité de la machine tous les documents fournis avec l'outillage (dans une pochette en plastique, à l'abri de la poussière, de l'huile et de l'humidité) et veiller à joindre cette documentation si vous cédez l'appareil.

Ne pas effectuer de modification à la machine. Utiliser les accessoires recommandés, des accessoires incorrects peuvent être dangereux.

Contrôler chaque jour, avant d'utiliser la machine, les dispositifs de protection et le fonctionnement impeccable.

En cas de défauts à la machine ou aux dispositifs de protection avertir les personnes compétentes et ne pas utiliser la machine. Déconnecter la machine du réseau.

Avant de mettre la machine en marche, retirer cravate, bagues, montres ou autres bijoux et retrousser les manches jusqu'aux coudes. Enlever tout vêtement flottant et nouer les cheveux longs.

Porter des chaussures de sécurité, surtout pas de tenue de loisirs ou de sandales.

Porter un équipement de sécurité personnel pour travailler à la machine.

- des lunettes protectrices,
- une protection acoustique
- une masque anti poussier.

Ne pas porter **de gants**.

Porter des gants appropriés pour manoeuvrer les outils de fraisage.

Lire attentivement dans ce mode d'emploi le chapitre „travailler sûrement“.

Le temps de freinage de la machine ne doit pas dépasser 10 secondes.

Ne pas enlever les copeaux et les pièces usinées avant que la machine ne soit à l'arrêt.

Placer la machine de sorte à laisser un espace suffisant pour la manoeuvre et le guidage des pièces à usiner.

Veiller à un éclairage suffisant.

Placer la machine sur un sol stable et plat.

S'assurer que le câble d'alimentation ne gêne pas le travail ni ne risque de faire trébucher l'opérateur.

Conserver le sol autour de la machine propre, sans déchets, huile ou graisse.

Prêter grande attention à votre travail et rester concentré.

Eviter toute position corporelle anormale.

Veiller à une position stable et garder un bon équilibre à tout moment.

Ne pas travailler sous l'influence de drogues, d'alcool ou de médicaments.

Eloigner de la machine toutes personnes incompetentes, surtout les enfants.

Ne pas enlever les copeaux et les pièces usinées avant que la machine ne soit à l'arrêt.

Ne jamais laisser la machine en marche sans surveillance. Arrêter la machine avant de quitter la zone de travail.

Ne pas mettre la machine à proximité de liquides ou de gaz inflammables, respecter les consignes de lutte contre les incendies, par ex le lieu et l'utilisation des extincteurs.

Préserver la machine de l'humidité et ne jamais l'exposer à la pluie.

Utiliser un collecteur de poussières afin d'éviter une production de poussières trop élevée.

La poussière de bois est explosive et peut être nocive pour la santé.

Les poussières de certains bois exotiques et de bois durs, tels que le hêtre et le chêne sont classées comme étant cancérigènes.

Retirer les clous et autres corps étrangers de la pièce avant de débiter l'usinage.

Ne jamais mettre la machine en marche sans les dispositifs de protection. -Risque de blessures graves!

Utiliser les dispositifs de protection nécessaires selon votre travail, pour assurer le guidage sûr de votre pièce.

Adapter les dispositifs de protection à votre travail et aux dimensions de la pièce à usiner.

Adapter la vitesse de rotation de l'arbre au diamètre de l'outil.

Garder toujours suffisamment de distance à l'outil de toupillage.

Ne jamais mener la pièce en mettant les mains en-dessous du protecteur de toupillage!

N'usiner que des pièces, qui peuvent bien être posée sur la table.

Avancer la pièce seulement contre la direction de toupillage.

Pour travailler une pièce de longueur inférieure à 300mm, utiliser un élément d'aide (p.ex. une plaque coulissante).

Ne jamais usiner une pièce, que vous ne pouvez pas guider en gardant suffisamment de distance à l'outil de toupillage.

Pour tenonner et mortaiser, le plateau tenonnage est nécessaire.

Pousser une pièce étroite en fin d'usinage à l'aide d'un poussoir.

En cas de non utilisation, le bâton ou la poignée du poussoir doit toujours être rangé contre la machine.

Se tenir aux spécifications concernant la dimension maximale ou minimale de la pièce à usiner.

Ne pas enlever les copeaux et les pièces usinées avant que la machine ne soit à l'arrêt.

Utiliser toujours des outils de toupillage affûtés.

Bien serrer le guide de toupie avant travailler.

Afin de réduire les risques de blessures et de contrecoups n'utiliser que des fraises à queue appropriées qui correspondent aux normes EN 847-1 ou EN 847-2 et qui portent la mention „MAN“.

Pour l'usinage d'une pièce longue, utiliser des supports roulants devant et derrière la machine.

Garder la surface de la table propre, surtout éliminer les résidus de résine.

Tous travaux de branchement et de réparation sur l'installation électrique doivent être exécutés uniquement par un électricien qualifié.

Ne pas se mettre sur la machine.

Remplacer immédiatement tout câble endommagé ou usé.

Faire tous les travaux de réglage ou de maintenance seulement après avoir débranché la machine du réseau.

3.3 Risques

Même en respectant les directives et les consignes de sécurité les risques suivants existent :

Contact avec l'outil de toupillage dans la zone de coupe. Pour éviter ce danger et pour une protection efficace, toujours adapter le protecteur à la pièce et au travail.

Danger de contrecoup. La pièce est accrochée par l'outil en rotation et éjectée vers l'utilisateur.

Danger de pièces éjectées.

Risque de nuisances par poussières de bois, copeaux et bruit.

Porter des équipements de sécurité personnels tels que lunettes, cache-visage pour travailler à la machine. Utiliser un collecteur de poussières!

Danger par câble électrique endommagé, usé ou mal branché.

4. Spécifications

4.1 Description de la machine

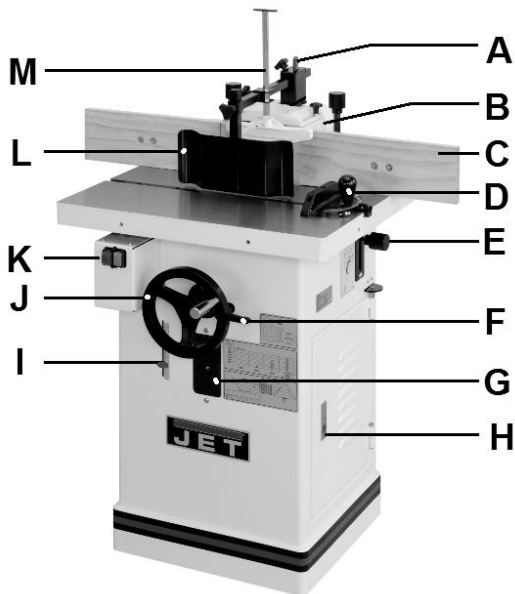


Fig 1

- A Serrage presseurs
- B Guide de toupie
- C Plaque de butée
- D Guide d'onglet
- E...Verrou d'arbre (blocage)
- F Serrage élévation de l'arbre
- G Voyant vitesse
- H Port pour changement vitesse
- I Echelle élévation de l'arbre
- J Volant élévation de l'arbre
- K Interrupteur marche/arrêt
- L Presseur latéral
- M Presseur vertical

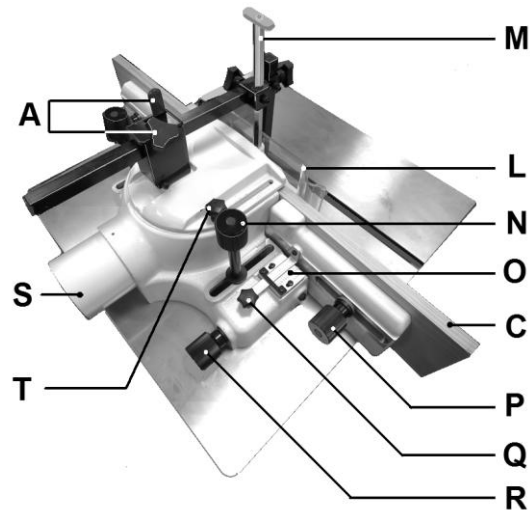


Fig 2

- N Serrage guide de toupie
- O Echelle plaque de butée
- P Serrage plaque de butée
- Q Serrage offset plaque de butée
- R Réglage plaque de butée
- S Buse d'aspiration
- T Serrage couverture

4.2 Indications techniques

Vitesse de rotation de l'arbre	1700/3500/6000/8000 T/min
Dimensions de table	635 x 600 mm
Hauteur de table	830mm
Diamètre de l'arbre	30mm
Hauteur de serrage	70mm
Course de l'arbre	80mm
Pincettes de serrage	8 et 12mm
Diamètre ouverture de table	160mm
Diamètre max. d'outil	180mm
Outil au-dessus de la table max	120mm
Diamètre buse d'aspiration	100mm
Dimensions de la machine LxIxH	920x680x1090mm
Poids net	156 kg
Voltage	230V ~1/N/PE 50Hz
Puissance	1,5 kW (2 CV) S1
Courant électrique	10 A
Raccordement (H07RN-F)	3x1,5mm ²
Fusible du secteur électr.	16A

Voltage	400V ~3/PE 50Hz
Puissance	2.2 kW (3 CV) S1
Courant électrique	5 A
Raccordement (H07RN-F)	4x1,5mm ²
Fusible du secteur élect.	16A

4.3 Emission de bruit

Indications selon EN 848-1 (incertitude de mesure 4 dB)
Pièce sapin: l=100mm, L=1000mm, humidité 8,5%

Puissance sonore (selon EN ISO 3746):	
Marche à vide	LwA 83 dB(A)
Usinage	LwA 90 dB(A)

Niveau de pression sonore (selon EN ISO 11202):	
Marche à vide	LpA 74 dB(A)
Usinage	LpA 83 dB(A)

Les indications données sont des niveaux de bruit et ne sont pas forcément les niveaux pour un travail sûr.
Bien qu'il existe un rapport entre les niveaux d'émission et la nuisance nous ne pouvons pas savoir si des précautions supplémentaires sont nécessaires.

Le risque de nuisance sur votre zone de travail dépend de différents points comme la durée du travail, la place et l'entourage, le bruit et le nombre des autres machines. De plus le niveau toléré peut varier dans les différents pays.

Cette information est tout de même importante, ainsi l'utilisateur peut estimer les dangers et les risques possibles.

4.4 Emission de poussière

L'émission de poussière de la toupie JWS-34KX a été évaluée.

A une vitesse d'air de 20 m/s à la buse d'aspiration d'un diamètre 100mm:	
Pression diminuée	800 Pa
Volume	565 m ³ /h

Ainsi le paramètre de concentration toléré de 2 mg/m³ est assuré.

4.5 Contenu de la livraison

Arbre 30mm avec anneaux
Pincés de serrage 8 et 12mm
Guide de toupie
Plaque de continuité
Presseurs latéral et vertical
Poussoir
Protecteur à l'arbre
Guide d'onglet
Outil de travail
Accessoires de montage
Mode d'emploi
Liste des pièces de rechange

5. Transport et mise en exploitation

5.1. Transport

Pour le transport utiliser un chariot élévateur.
Transporter la machine de manière à ce qu'elle ne puisse pas tomber.

Effectuer le montage de la machine dans un local fermé ou un atelier respectant les conditions de menuiserie. Placer la machine sur une surface stable et plane. La machine peut aussi être fixée à la surface.

Pour des raisons techniques d'emballage la machine n'est pas complètement montée à la livraison.

5.2 Montage

Déballer la machine. Avertir JET immédiatement si vous constatez des pièces endommagées par le transport et ne pas monter la machine.

Enlever la protection antirouille avec un dissolvant.

Monter la manette sur le volant à main.

Fixer le protecteur d'arbre sur le couvercle du guide de toupie avec les vis livrées (D, Fig 3). Pour soulever le guide, presser la manette vers l'arrière.

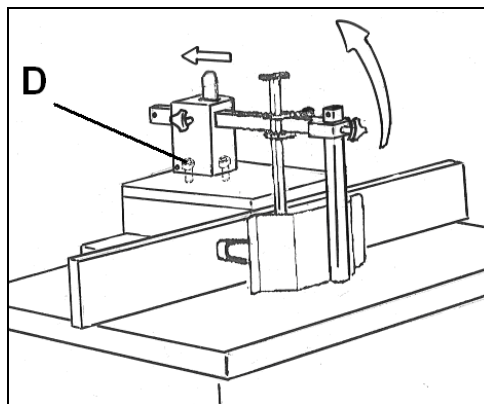


Fig 3

5.3 Raccordement au réseau élect.

Le raccordement ainsi que les rallonges et connecteurs utilisés doivent être conformes aux données inscrites sur la plaque de la machine.

Le fusible de secteur électrique doit avoir 16A.

Utiliser pour le raccordement des câbles H07RN-F, minimum 1,5mm²

Câbles et connecteurs doivent être exempts de dommages.

Tous travaux de branchement et de réparation sur l'installation électrique doivent être exécutés uniquement par un électricien qualifié.

ATTENTION:

-Avant de mettre la machine en marche, vérifier que l'arbre tourne librement et que tous les dispositifs de sécurité sont bien en place.

Contrôler la bonne direction de la rotation de l'arbre (en sens inverse des aiguilles d'une montre).

En cas de mauvais sens de rotation, appuyer sur l'inverseur de phase du connecteur CEE et le tourner à 180°.

5.3 Raccordement au réseau électr.

Le raccordement ainsi que les rallonges utilisées doivent correspondre aux instructions.

Utiliser pour le raccordement des câbles H07RN-F.

Le fusible du secteur électrique doit avoir 16A.

Le voltage et la fréquence doivent être conformes aux données inscrites sur la machine.

Tous travaux de branchement et de réparation sur l'installation électrique doivent être exécutés uniquement par un électricien qualifié.

5.4 Racc. collecteur de poussières

Avant la mise en exploitation connecter la machine à un collecteur de poussières de manière à ce que le collecteur se mette en marche automatiquement avec votre toupie.

Vitesse minimale de l'aspiration à la buse 20 m/s.
N'utiliser que des tuyaux d'aspiration de la qualité „difficilement inflammable“ et intégrer les tuyaux dans la mise à la terre de la machine.

5.5 Mise en exploitation

Mettre la machine en route avec le bouton vert. Arrêter la machine avec le bouton rouge.

En cas de surcharge du moteur celui-ci s'arrête automatiquement.
Après un refroidissement d'env. 10 minutes remettre la machine en route.

6. Fonctionnement de la machine

Position de travail:
Debout sur le côté de la machine (Fig 4).

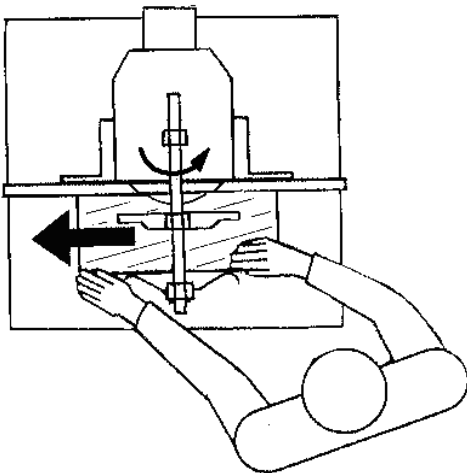


Fig 4

Manœuvrer les pièces:
Guider la pièce à usiner tout droit sur la table. Laisser les doigts réunis et mener la pièce du plat de la main.

Ne jamais mettre les mains en-dessous ou derrière le protecteur de toupillage!
Garder toujours suffisamment de distance à l'outil de toupillage.

Avancer la pièce seulement contre le sens de rotation de l'outil (Fig 4).

Pousser une pièce étroite en fin d'usinage à l'aide d'un poussoir.

Pour travailler une pièce de longueur inférieure à 300mm, utiliser une plaque coulissante.

Toujours travailler une pièce sur sa longueur complète en passage continu.
Reprise d'un travail seulement admissible en se servant de butées longitudinales (Fig 5).
...Danger de contrecoup!!!

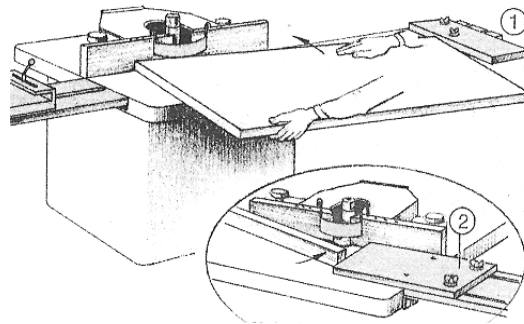


Fig 5

Pour tenonner et mortaiser le plateau tenonage est nécessaires (voir chapitre 7.9).

Bien serrer le guide de toupie avant travailler.

Avant d'attaquer le travail de votre pièce, faire un essai sur un déchet de bois.

Poser des pièces longues sur des supports roulants ou des rallonges.

N'usiner qu'une seule pièce à la fois.

Ne jamais mettre la machine en marche sans les dispositifs de protection.

- Risque de blessures graves!

Garder toujours suffisamment de distance à l'outil de toupillage.

Ne travailler aucune pièce, qui ne peut être conduit sûrement et avec une distance de sécurité suffisante, en direction de l'outil de fraisage.

Pour des formes compliquées, faire un gabarit pour un travail exact et sûr.

Adapter la vitesse de rotation de la broche de fraisage au diamètre de la pièce à usiner.

Pour l'utilisation conforme de la machine voir aussi l'annexe A

**“travailler sûrement“
(dernière page de ce mode d'emploi)**

A.1.: Toupillage de panneaux

A.2.: Toupillage longitudinal

- A.3.: Toupillage transversal
- A.4.: Reprise de travail
- A.5.: Toupillage de contours

7. Réglages

Attention

Faire tous les travaux de maintenance ou de réglage après avoir débranché la machine du réseau.

Vérifier la rotation de l'outil après chaque travail de maintenance ou de réglage.

7.1 Réglage de la vitesse

Attention:

La vitesse de l'arbre doit être adaptée au diamètre de l'outil.

Selon le diamètre de l'outil et la vitesse il résulte une avance en m/sec qui est indiquée sur le diagramme (Fig 6). Ce diagramme se trouve aussi sur la machine.

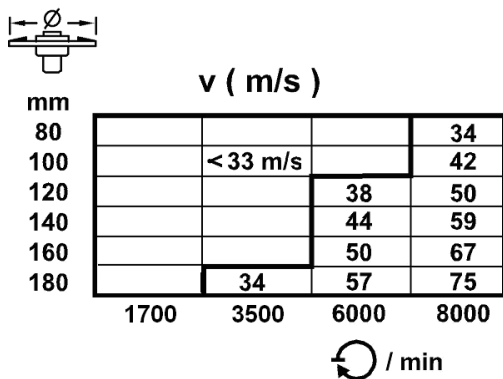


Fig 6

Le danger de contrecoup est plus élevé en travaillant avec des outils de petits diamètres et avec les petites vitesses.

La vitesse de rotation maximale indiquée sur chaque outil (T/min, /min, min^{-1}) ne doit jamais être dépassée.

Utiliser des outils de toupillage à queue seulement en travaillant avec vitesse maximale (8000 T/min).

Utiliser la broche ponceuse à queue seulement en mettant la plus petite vitesse (1700 T/min).

Réglage de la vitesse par changement de la position de la courroie cannelée (Fig 7).

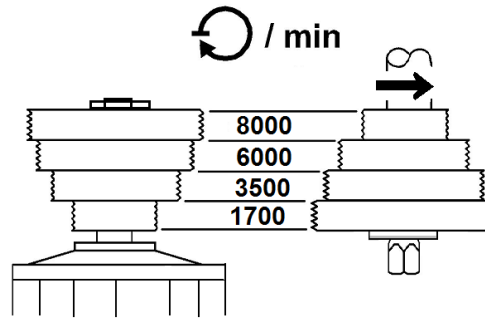


Fig 7

Plage de vitesses :
1700, 3500, 6000, 8000 T/min

La vitesse de rotation choisie (position de la courroie), peut être vérifiée sur le voyant du socle.

7.2 Montage du mandrin

Le mandrin est fixé sur l'arbre par une barre de traction et un écrou à pas différentiel.

Suivre les indications ci-dessous pour le montage du mandrin. Le démontage se fait en sens inverse.

Déconnecter la machine du réseau.

Bloquer l'arrêt d'arbre.

Pour cela, retirer le boulon d'arrêt et tourner à 90° (Fig 8).

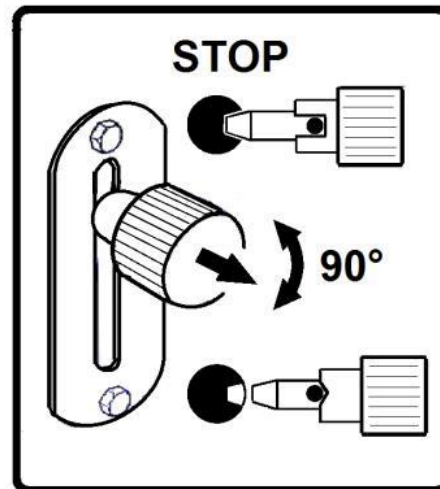


Fig 8

Enlever les anneaux de la table.

Nettoyer le cône du mandrin et le porte-arbre (T, Fig 9).

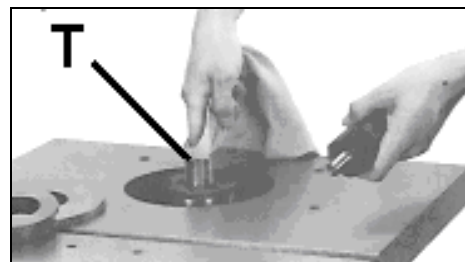


Fig 9

1) Visser l'écrou différentiel (N, Fig 10) sur la broche de la machine.
Ménager un espace d'environ 2 tours (4mm) jusqu'au bout du filetage.

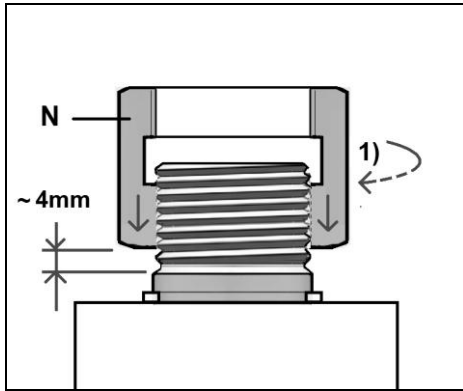


Fig 10

2) Monter le mandrin de fraisage (A, Fig 11), le visser dans l'écrou différentiel (N).
Il faut tout d'abord ne visser l'écrou différentiel que légèrement.

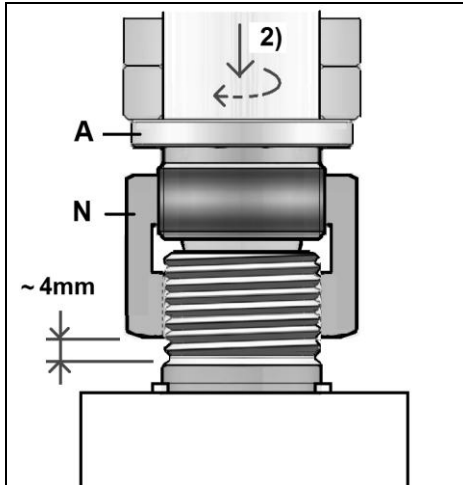


Fig 11

3) Insérer la vis de serrage (D, Fig 12&13) par dessous dans l'arbre et serrer avec la clé à fourche livrée.

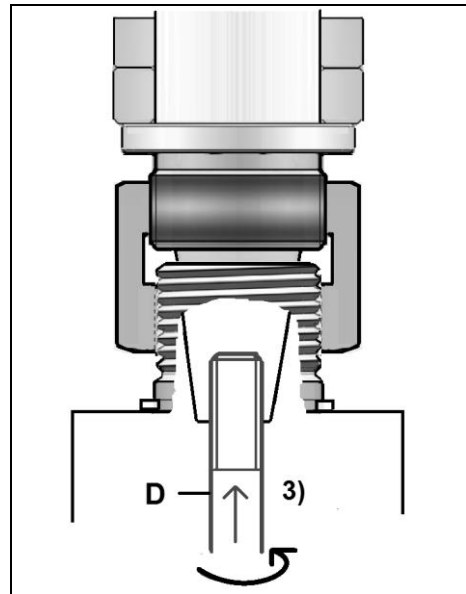


Fig 12

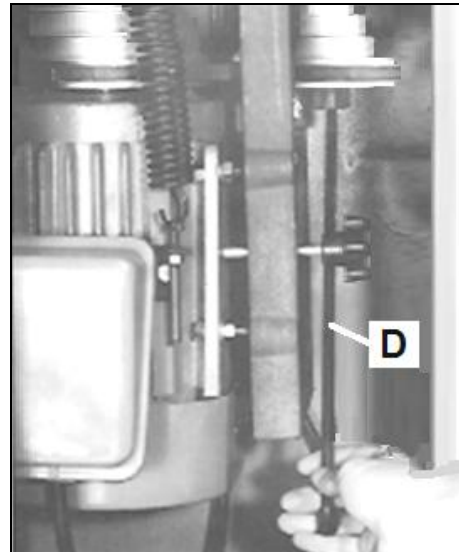


Fig 13

4) Maintenir l'écrou différentiel serré (N) avec la clé à fourche livrée (Fig 14&15).

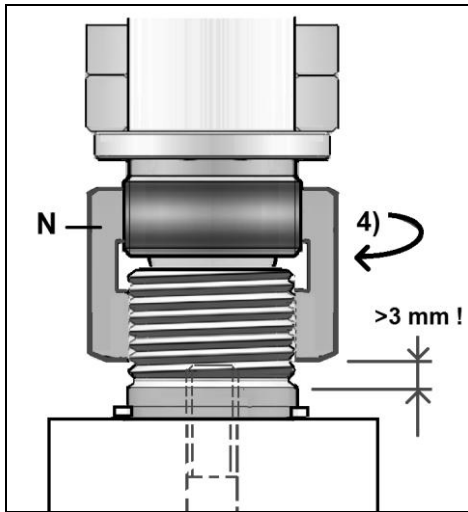


Fig 14

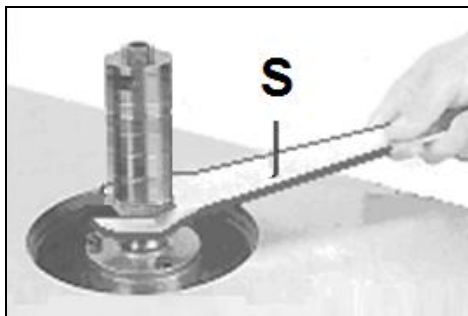


Fig 15

Attention:

Contrôler la position correcte de l'écrou différentiel. L'espace jusqu'au bout du filetage doit être au moins de 3 mm.

Monter l'outil de toupillage (voir chapitre 7.4).

Débloquer le verrouillage de l'arbre.

Connecter la machine au réseau.

Mettre la machine en marche avec prudence.

Démontage du mandrin:

La vis de serrage (D, Fig 12&13) doit être retirée en premier.

7.3 Montage des pinces de serrage

Déconnecter la machine du réseau.

Enlever le mandrin (voir chapitre 7.2)

Fixer la pince de serrage avec l'écrou (Q, Fig 16).

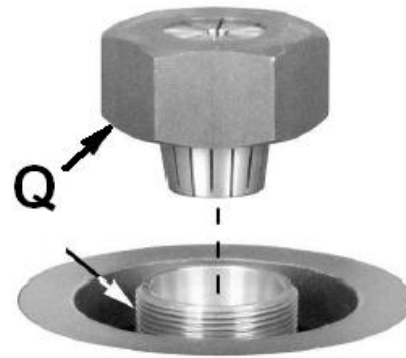


Fig 16

Sont livrés avec la machine:

- Pince de serrage, diamètre 8mm
- Pince de serrage, diamètre 12 mm

Afin de réduire les risques de blessures et de contrecoups n'utiliser que des fraises à queue appropriées qui correspondent aux normes EN 847-1 ou EN 847-2 et qui portent la mention „MAN“.

L'outil de fraisage doit être serré sur au moins 20 mm dans la pince de serrage.

Serrer l'écrou (Q).

Couvrir l'espace autour de l'arbre avec des rondelles (A, Fig 18) selon le diamètre de l'outil de toupillage.

Attention:

Le fait de travailler avec des outils de petits diamètres et à des vitesses lentes accentue le risque de contrecoups. N'utiliser les fraises à queues qu'avec la vitesse de rotation maximale (8000 T/min).

Débloquer le verrouillage de l'arbre.

Régler la butée à onglet à une distance d'environ 5 mm du rayon d'action de l'outil.

Connecter la machine au réseau.

Mettre la machine en marche avec prudence.

7.4 Montage de l'outil de toupillage

Déconnecter la machine du réseau. Bloquer l'arrêt d'arbre.

Les outils de toupillage sont coupants. Pour le changement d'un outil toujours porter des gants appropriés.

Garder les surfaces des outils de toupillage et des mandrins propres, nettoyer avec un solvant pour résine (ne pas utiliser de produits qui peuvent attaquer les pièces en métal léger).

Afin de réduire les risques de blessures et de contrecoups n'utiliser que des fraises à queue appropriées qui correspondent aux normes EN 847-1 ou EN 847-2 et qui portent la mention „MAN“.

Des outils mal montés, usés ou endommagés peuvent casser et augmentent le danger de contrecoup.

Le montage d'outils d'affilage ou de polissoirs est interdit.

Installer l'outil de toupillage sur l'arbre aussi bas que possible (Fig 17).

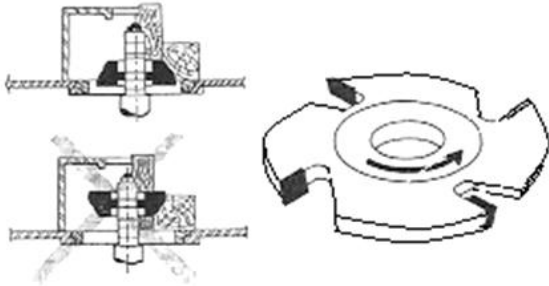


Fig 17

Vérifier la direction de rotation de l'outil monté (en sens inverse des aiguilles d'une montre).

Remplir l'arbre jusqu'au plateau avec des rondelles de mandrin.

Serrer l'outil à la main avec la vis hexagonale (ne pas utiliser de rallonge d'outil, pas de coups de marteau).

Couvrir l'espace autour de l'arbre avec des rondelles (A, Fig 18) selon le diamètre de l'outil de toupillage.

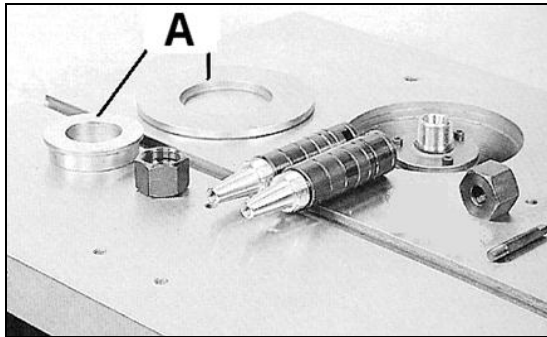


Fig 18

Attention :

La vitesse de rotation de la broche doit être réglée en fonction du diamètre de l'outil de fraisage.

La vitesse maximale de rotation autorisée (RPM, /min, min⁻¹) qui est indiquée sur chaque outil ne doit jamais être dépassée.

Débloquer le verrouillage de l'arbre.

Régler la butée à onglet à une distance d'environ 5 mm du rayon d'action de l'outil.

Connecter la machine au réseau.

Mettre la machine en marche avec prudence.

7.5 Déplacement vertical de l'arbre

Après avoir desserré le levier de blocage, vous pouvez déplacer l'arbre en vertical avec le volant à main. Un tour correspond à une course de 8mm (2mm par quart de tour).

7.6 Montage guide de toupie

Installer d'abord le carter du guide de toupie. Pour cela visser les deux vis moletées dans les foreuses de filet dans la table de la machine.

Positionner le guide de toupie à une distance d'env. 5mm au rayon d'action de l'outil.

Utiliser la plaque de continuité pour le guidage sûr d'une latte étroite (A, Fig 19).

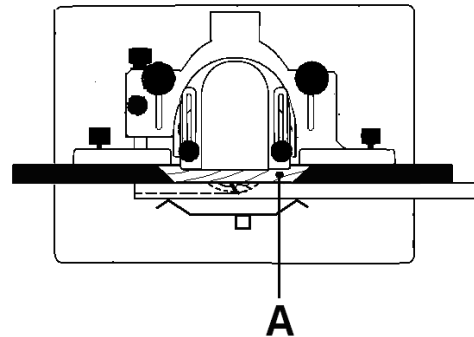


Fig 19

Serrer la plaque de continuité entre les butées à onglet.

La plaque de continuité est une pièce soumise à l'usure et doit être remplacée aussitôt que l'espace autour de l'outil devient trop grand.

Si possible utiliser un reste de bois pour le positionnement et le réglage du guide de toupie.

Installer le dispositif de protection pour mieux mener la pièce et pour éviter le contact avec l'outil par accident.

Le dispositif de protection est fixé au couvercle du carter du guide et peut être relevé pendant le réglage.

Connecter le guide de toupie à l'aspirateur de copeaux.

Avant de mettre la machine en marche contrôler la rotation impeccable de l'outil et le bon serrage de tous les éléments de la machine.

7.7 Montage guide à l'arbre

Le guide à l'arbre livré avec la machine (Fig 20) peut être fixé à la table de la machine et permet un diamètre d'outil max. de 150mm.

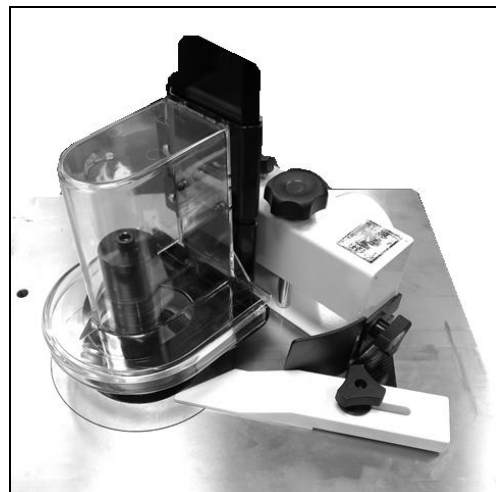


Fig 20

Installer d'abord le module de base.
 Pour cela il y a dans la table une forure de filet M8 (A, Fig 21)
 et une forure indice 8mm (P).

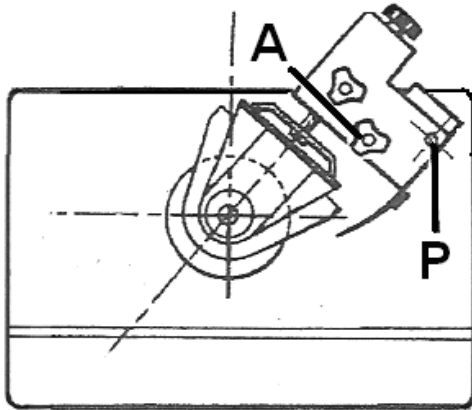


Fig 21

Bloquer le dispositif de guidage de pièce (B, Fig 22)
 dépendant de la hauteur de la pièce à usiner et du diamètre
 de l'outil.

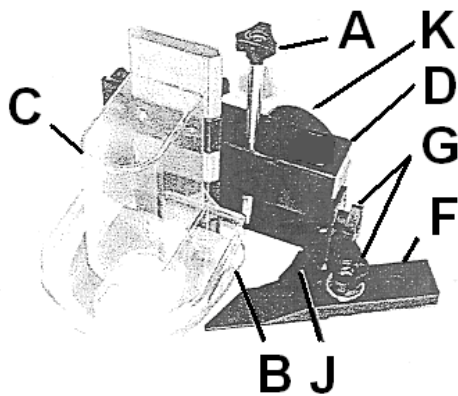


Fig 22

Ajuster l'enlèvement des copeaux souhaité à la manette (E,
 Fig 23).

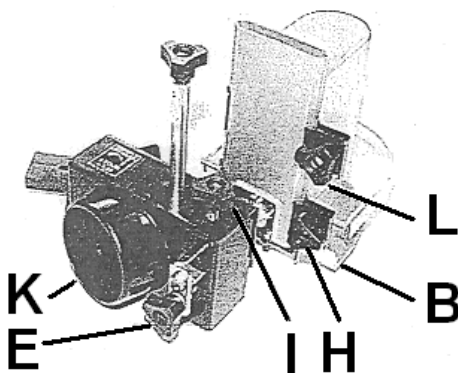


Fig 23

Abaisser le protecteur transparent (C) sur la pièce.

Connecter l'aspirateur à la buse
 (K).

Avant de mettre la machine en marche contrôler la rotation
 impeccable de l'outil et le bon serrage de tous les éléments
 de la machine.

Commencer l'usinage en menant la pièce le long de la barre
 conductrice (F). Ainsi la pièce glisse doucement dans le
 rayon d'action de l'outil. L'enlèvement maximal des copeaux
 est atteint à la flèche de repérage.

Continuer de guider la pièce à la flèche de repérage. Ainsi un
 enlèvement des copeaux constant vous est garanti.

Pour des formes compliquées, créer un patron pour un travail
 exact et sûr.

7.8 Montage broche ponceuse

La broche ponceuse en option peut être montée à la place du
 mandrin.

Ne procéder au changement de broche qu'après avoir
 déconnecté la machine du réseau et bloquer l'arrêt de l'arbre

On peut utiliser des manchons abrasifs diamètre 25, 38, 50,
 75, 100mm.

Couvrir l'espace autour de l'arbre avec des rondelles de table
 selon le diamètre du manchon abrasif.

Monter le guide cintré de fraisage pour l'aspiration des
 poussières (Fig 24).

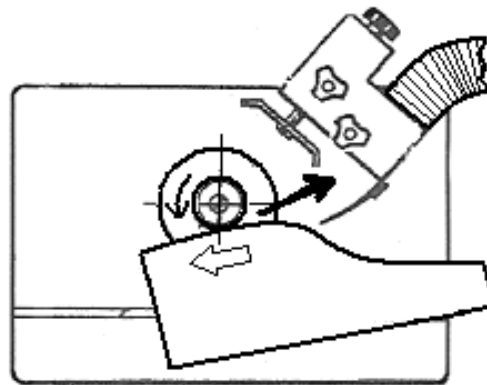


Fig 24

Attention:

**Utiliser la broche ponceuse seulement en mettant la plus
 petite vitesse (1700 T/min).**

Avant de mettre la machine en marche contrôler la rotation
 impeccable de la broche et vérifier si tous les éléments de la
 machine sont bien serrés.

Guider la pièce à usiner tout droit sur la table. Réunir les
 doigts et mener la pièce du plat de la main.

Garder toujours suffisamment de distance à la broche
 ponceuse.

7.9 Montage plateau de tenonnage

Le plateau de tenonnage en option se monte sur la table de
 travail par des mortaises en T.

Le dispositif de retenue en bas de la pièce d'œuvre (C, Fig
 25) et la butée de guidage (E) assurent la stabilité de la pièce
 à usiner pendant le travail.

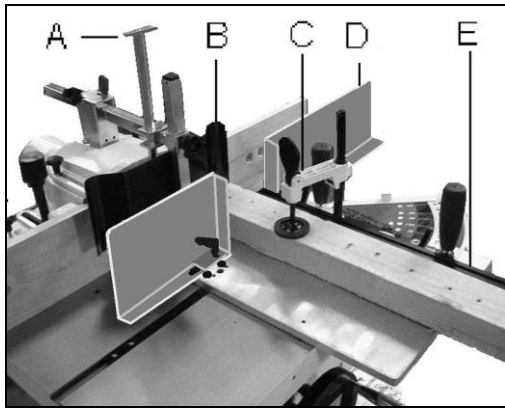


Fig 25

Les carters de protection (D) doivent être réglés et bloqués en direction de la pièce à usiner.

- Hauteur max de la pièce 100mm
- Largeur max de la pièce 120mm

Régler le guide de fraisage et la butée à onglet en fonction du diamètre de l'outil.

Le patin horizontal de pression (B) est positionné au dessus de la pièce d'oeuvre.
Le patin vertical (A) est soulevé au maximum.

Avant de mettre la machine en marche contrôler la rotation impeccable de l'outil et vérifier si tous les éléments de la machine sont bien serrés.

Commencer le travail en déplaçant le chariot en direction de l'outil. Pour cela appuyer la pièce d'oeuvre avec les deux mains contre la butée de guidage (E).

Garder toujours suffisamment de distance à l'outil de toupillage.

Indication:

Le travail de tenonnage demande de la puissance et du couple.

Une vitesse de 3500 T/min donne en général les meilleurs résultats.

8. Entretien et inspection

Attention

Faire tous les travaux de maintenance, réglage ou nettoyage après avoir débranché la machine du réseau!

Nettoyer la machine régulièrement.

Vérifier chaque jour le fonctionnement impeccable du collecteur de poussières.

Remplacer immédiatement les dispositifs de protection endommagés.

Réinstaller les dispositifs de protection immédiatement.

Tous travaux de branchement et de réparation sur l'installation électrique doivent être exécutés uniquement par un électricien qualifié.

Entraînement:

La tension de la courroie doit être contrôlé régulièrement.

Frein moteur:

Le frein du moteur fonctionne par électromécanique (moteur à frein).

Si le temps de freinage dépasse 10 sec il faut remplacer le module freinage (JET Article JWS34-BME).

Contactez nos services JET.

9. Détecteur de pannes

Moteur ne se met pas en route

*Pas de courant-
Vérifier le voltage.

*Défaut au moteur, bouton ou câble-
Contacter un électricien qualifié.

*Réaction du protecteur de surcharge-
Laisser refroidir et remettre en marche.

*L'arrêt d'arbre est bloqué.

Vitesse trop faible

*Outil trop grand ou trop lourd-
Travailler avec la petite vitesse.

*Raccordement trop long ou faible-
Améliorer l'alimentation en courant électrique.

*Trop de tension sur la courroie-
Ajuster la tension de la courroie.

Mauvaise direction de rotation de l'arbre

*Ordre des phases du courant triphasé à l'envers-
Appuyer sur l'inverseur de phases se trouvant sur la fiche du secteur et le faire tourner à 180°.

Vibration violente de la machine

*La machine n'est pas sur un sol plat-
Repositionner la machine.

*Outil de toupillage usé/endommagé-
Remplacer l'outil.

Surface usinée non satisfaisante

*Outil de toupillage usé/endommagé-
Remplacer l'outil.

*Outil bouché par des copeaux-
Enlever les copeaux.

*Enlèvement des copeaux trop élevé-
Faire plusieurs passages.

*Usinage contre les fibres-
Tourner la pièce à usiner.

*Pièce non homogène.

*Pièce trop humide.

Echelonnement

*Guide de toupie mal monté-
Si possible utiliser la plaque de continuité.

*Espace dans la table trop grand-
Insérer des rondelles.

*Guidage des pièces insuffisant-
Ajuster le dispositif de protection.

Réglage de la hauteur difficile

*Graissage insuffisant-
Graisser les broches de précision de l'arbre.

*Arrêt d'arbre bloqué.

Résultat de travail insuffisant

*La courroie glisse-
Resserrer ou remplacer la courroie.

*Résidu de résine sur la table-
Nettoyer et mettre de la cire.

10. Protection de l'environnement

Protégez l'environnement !

Votre appareil comprend plusieurs matières premières différentes et recyclables. Pour éliminer l'appareil usagé, veuillez l'apporter dans un centre spécialisé de recyclage.



Ce symbole indique une collecte séparée des équipements électriques et électroniques conformément à la directive DEEE (2012/19/UE). Cette directive n'est efficace que dans l'Union européenne.

11. Accessoires

Article 1000251

Mandrin 30mm avec rondelles.

Article 1000252

broche avec rouleaux en caoutchouc et manchon abrasif
25,38,50,75,100mm.

-Pour manchons abrasifs de divers grains voir la liste de prix
JET (JVOS-10)

Article 1000253

Plateau tenonnage

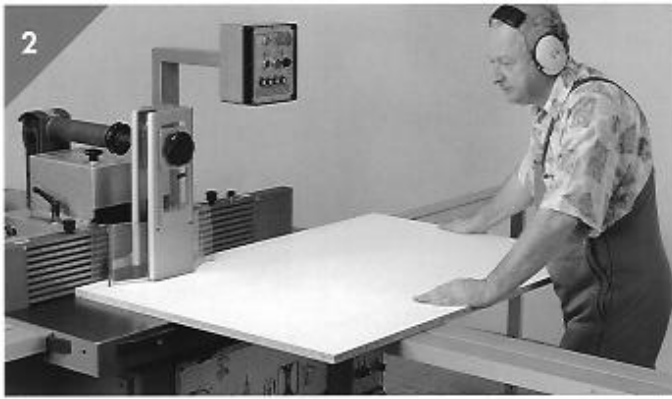
Article 709207

Servante pliable à rouleaux

12. Travailler sûrement

Voir annexe A (dernière page de ce mode d'emploi)

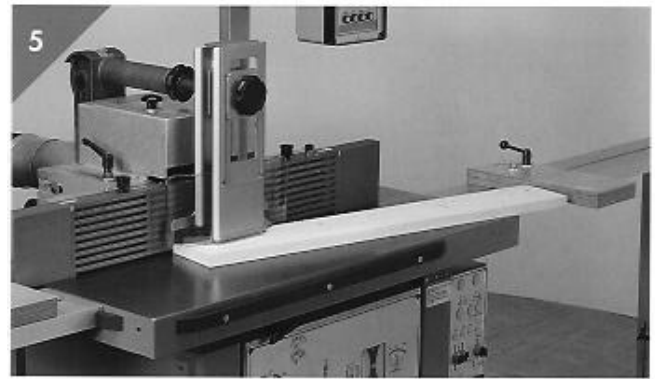
A1



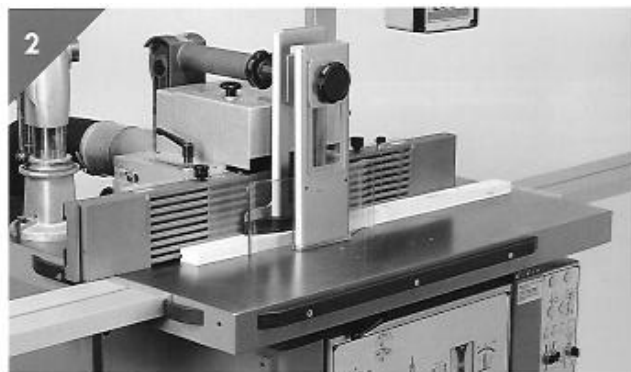
A3



A4



A2



A5

