



142-ST95B

IGM Worktable for Edgebander and Trimmer for DR500-BR300

Operating instructions



Distributor:

IGM nástroje a stroje s.r.o.
Ke Kopanině 560, 252 67, Tuchoměřice
Czech Republic, EU
Phone: +420 220 950 910
E-mail: sales@igmtools.com
Website: www.igmtools.com

2022-07-13

142-ST95B IGM Worktable Manual EN v2.2.00 A4ob



Operating instructions EN

Dear Customer!

This manual contains Information and important instructions for the installation and correct use of the edgebander.

This manual is part of the machine and may not be stored separately from the machine. Save it for later reference and if you let other persons use the machine, add this instruction to the machine.



Please read and obey the security instructions!

Before first use read this manual carefully. It eases the correct use of the machine and prevents misunderstanding and damages of machine and the user's health. Due to constant advancements in product design and construction pictures and content may diverse slightly. However, if you discover any errors, inform us please with the email or letter. Technical specifications are subject to changes!

CONTENTS:	PAGE
TECHNICAL INFORMATION	2
SAFETY REGULATIONS	2
Parts and respective functions	3
Important Notes	4
OPERATION PROCEDURE	4
OPTIONAL TOOLS	7

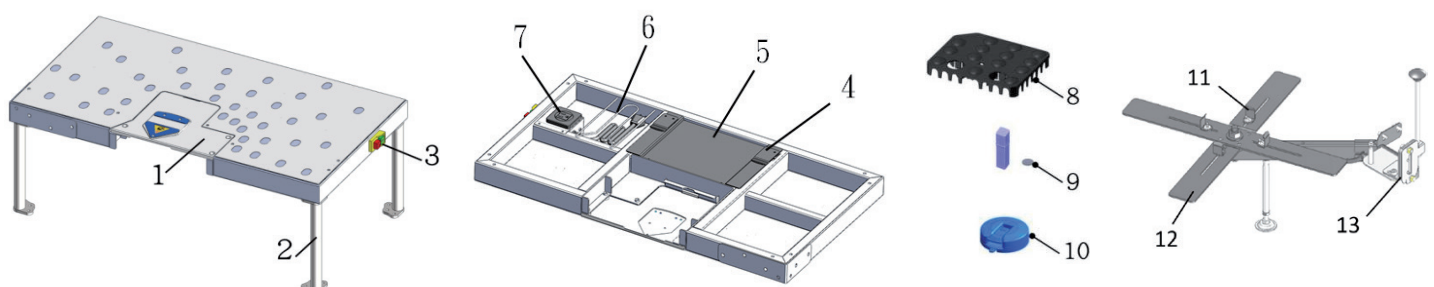
TECHNICAL INFORMATION

Product Size (LxWxH)	1420x1030x600 mm
Packing Size (LxWxH)	850x455x220 mm
Net Weight	20,5 kg
Gross Weight	25 kg
Power cable length	2,5 m
Voltage	240V
Rated Current	13A

SAFETY REGULATIONS

- Prior to operation user shall carefully read over this Operation Manual and follow the guiding regulations specified herein.
- Preserve this Operation Manual along with the equipment; obey the local related power safety regulations.
- Regularly clean up and maintain the equipment. Remove the power source before cleaning up this product.
- Follow the regulations specified in this Operation Manual to operate this product; for the warranty and damage compensation the following conditions cannot be applied:
 - Incorrectly install, operate or maintain this product.
 - Use this product under any safety-insufficient or improper working environment.
 - Fail to obey the Manual-suggest ways to install, transport, store, operate, clean up or maintain this product.
 - Modify this product under unapproved circumstance or disassemble it incorrectly.
 - Under a force majeure event.

Parts and respective functions



Item	Name	Purpose
1	Trimmer plate	Use to attached with the edge trimmer onto the worktable
2	Worktable stands	Supporting stands for the worktable
3	Main switch	Magnetic on/off switch, automatically power off when experiencing power failure.
4	Pinning sheets	Place on top of the cruiser case for easy transportation.
5	Stands Storage	Worktable stands can be easily store into the notch
6	Cable Storage	Can be easily store the cable into cable notch
7	Embedded Outlets	Outlet for plug-in tools
8	Fixture Cover	May be use to place on top of the gluepot to prevent high temperature hazard during operation
9	Positioning magnet chip	May be placed onto the worktable to raise or lower the working height of a workpiece.
10	Vacuum handles	May be attached onto the workpieces, use to enhance grip and handling with the workpieces during operation.
11	Dispenser center roller	Use to stabilize the center of the edgeband or edge tape
12	Edgeband Dispenser	Edgeband or edge tape roll can be placed directly on the dispenser
13	Swing cutting blade	Allows precise cuts that prevents damage to the edgeband

Important Notes

While meeting any emergency circumstance, be sure to turn off power supply and unplug the power-supply plug first.

This working table doesn't guarantee for all working materials; user shall follow the actual work conditions to regularly clean up the table surface; once the table surface is stain-polluted, we suggest using the stain-cleanup detergent to wipe it up; prohibit scratching off the dirt/residual-melt from the table surface directly that would deteriorate the vacuum clamp effort/capacity in consequence.

The magnet chip must be used together with stationary working table. According to the frequency of usage, clean the table regularly

Avoid operating this product in a room with high humidity or under raining outdoor space.

Keep this Operation Manual in a safe place in the event that replacement parts are required. Maintain regular maintenance on this product.

Prohibit plugging any other electric equipment at the table-plugged receptacle that might cause power overload.

Install this working table on a flat and firm table and tighten the table up by the screws attached.

Be noted by the safety label while operating the trimmer. Keep your hands off the blade that might hurt you.

Place manual with worktable.

OPERATION PROCEDURE

- After assembling the worktable stands, drill four holes compliant with the stand positioning holes and fasten the screws onto the stands. (Fig 1)

- Fasten the supporting stand to the supporting arm(Fig2). Do not leave the supporting leg unsettled. (Fig 3 - Fig 5)°

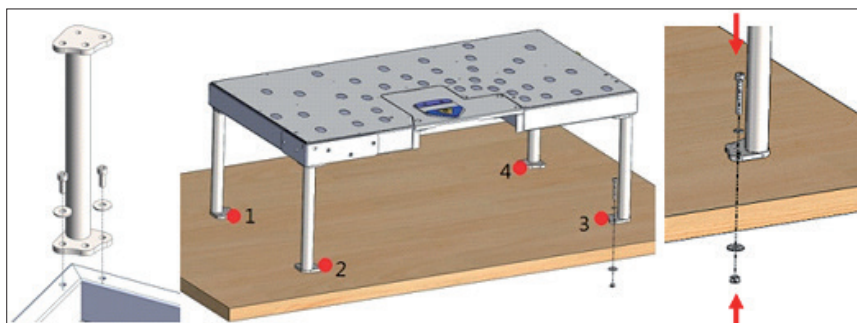


Fig. 1

Operating instructions EN

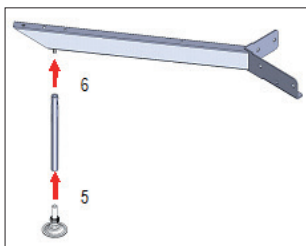


Fig. 2

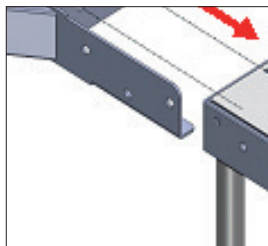


Fig. 3

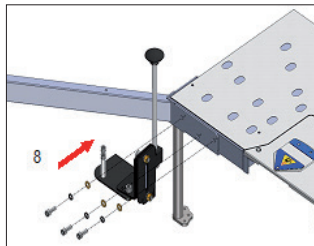


Fig. 4

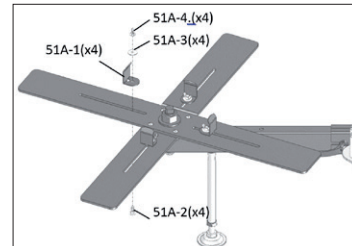


Fig. 5

- Assemble the center roller/rollers onto the dispenser (Fig 6), the rollers can be added or removed to fit different diameter of the Edgeband roll used. (Fig 7)

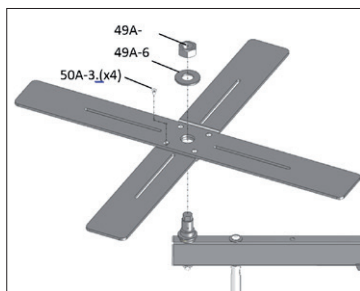


Fig. 6

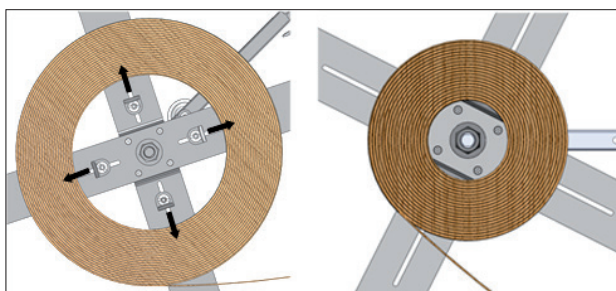


Fig. 7

- Adjust (Fig8) to make sure the dsipenser is the same height with worktable.

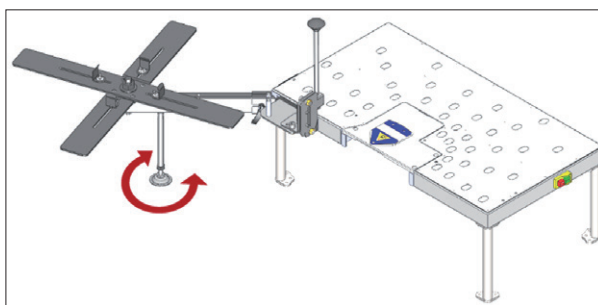


Fig. 8

- Put the Edgebander onto the worktable; follow the instruction graphically shown in Fig 9 & 10 to tighten up the three screws.

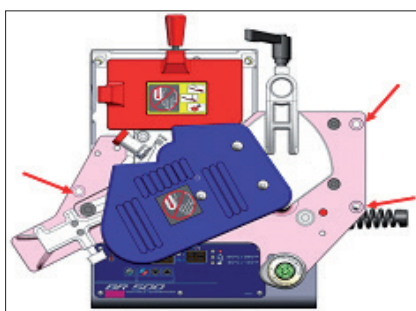


Fig. 9

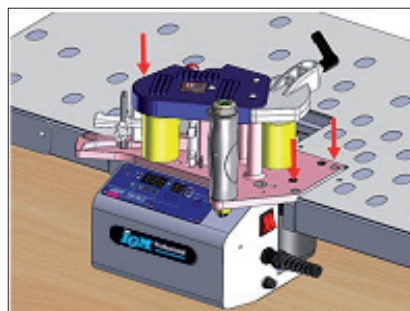


Fig. 10

- Put the protection cover onto the edgebander (Fig 11) and begin the operation (Fig 12).

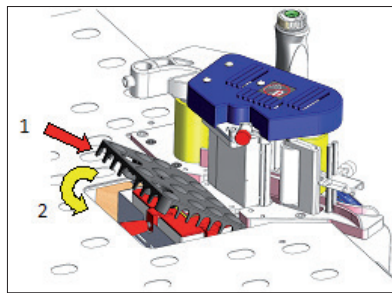


Fig. 11

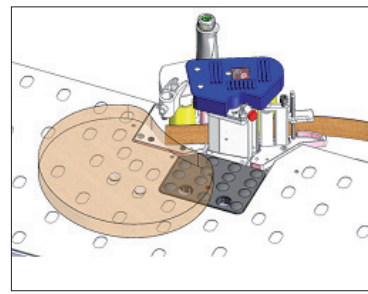


Fig. 12

- The position of magnet chip can be adjusted according to different shapes & sizes of the work pieces. Applicable for work pieces spinning above the stationary working table by only attaching to the magnet chips. (Fig 13).

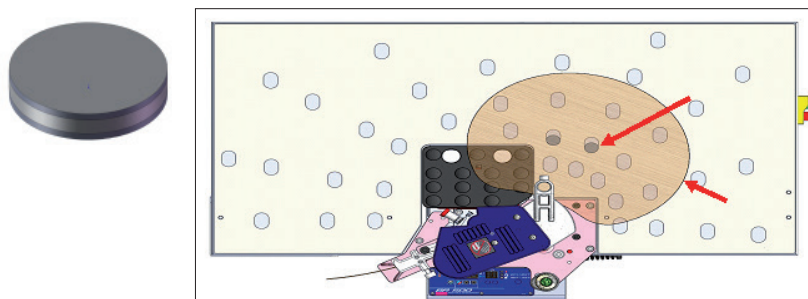


Fig. 13

- Swing cutting blade (Optional accessories) (Fig 14) could easily cut the tape while working on edgebanding.

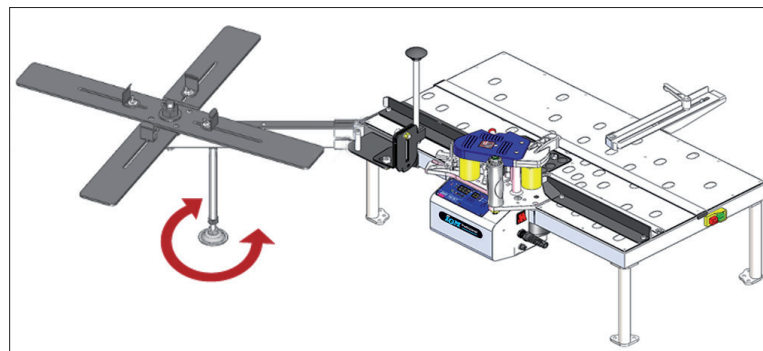


Fig. 14

- The Stationary Worktable can be used with our Edgeband Trimmer, making edgeband trimming a simple task when paired with our magnet spacers.

- Put the trimmer adaptor plate into the table and tighten it onto the table surface by the set screws (see Fig 15) follow the direction shown in the figure putting the power trimmer into the fixing rack; put the three screws through the trimmer rack and tightened into the three screw holes as shown by the arrows in (Fig 16).

- Turn off the power switch before operating the trimmer. Plug the trimmer power-plug into the embedded trimmer outlet on the working table (see Fig 17). If an emergency condition occurs, press the red emergency button to shut down the power immediately.

Operating instructions EN

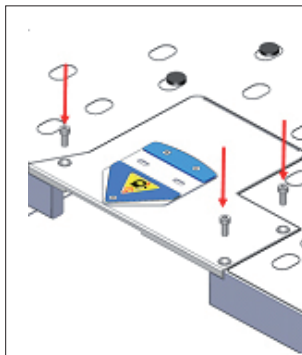


Fig. 15

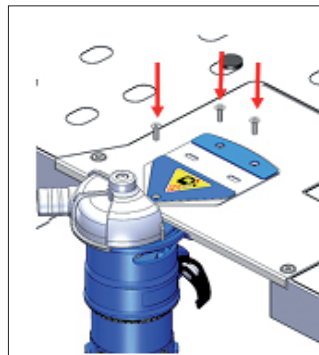


Fig. 16

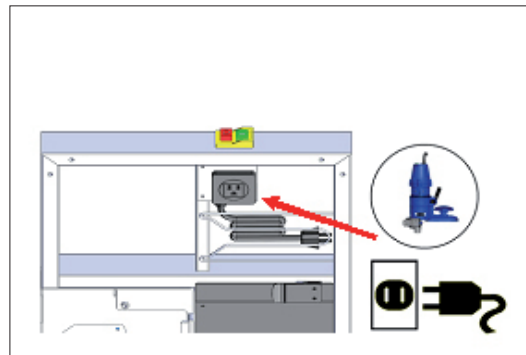


Fig.17

- When done installing the power trimmer, adjusting the positions of magnet chips according to the shapes and sizes of work pieces (Fig18). Rising up the work pieces to easily trim the edges and suction cap can be attached onto work pieces. Suction caps can also be grabbed to spin the work pieces (Fig19).



Fig. 18

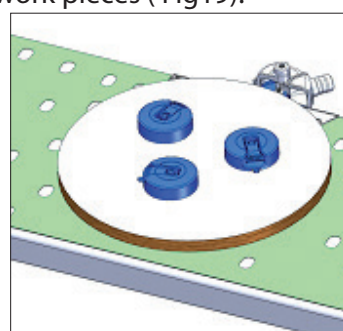


Fig. 19

- Fold the table; insert the pinning sheets (Fig 20) into the quick fasteners of the tool box (Fig 21). For transporting (Fig22).

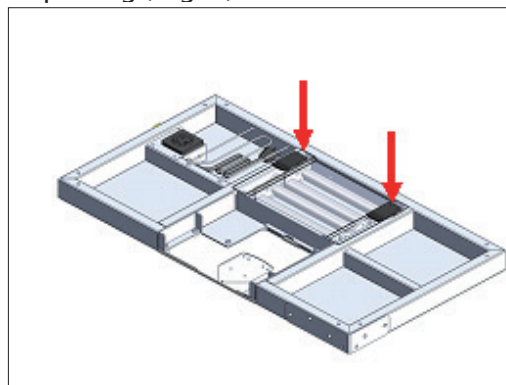


Fig. 20

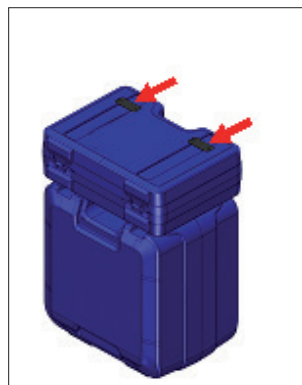


Fig. 21



Fig. 22

OPTIONAL TOOLS

IGM DR500 Portable Cordless Edgebander for ABS	142-DR500
IGM BR300 Portable Edgebander for ABS	142-BR300
IGM PD80 Edgeband Trimmer	142-PD80
IGM Straightline edgebanding and trimming kit for worktable	142-ST97

