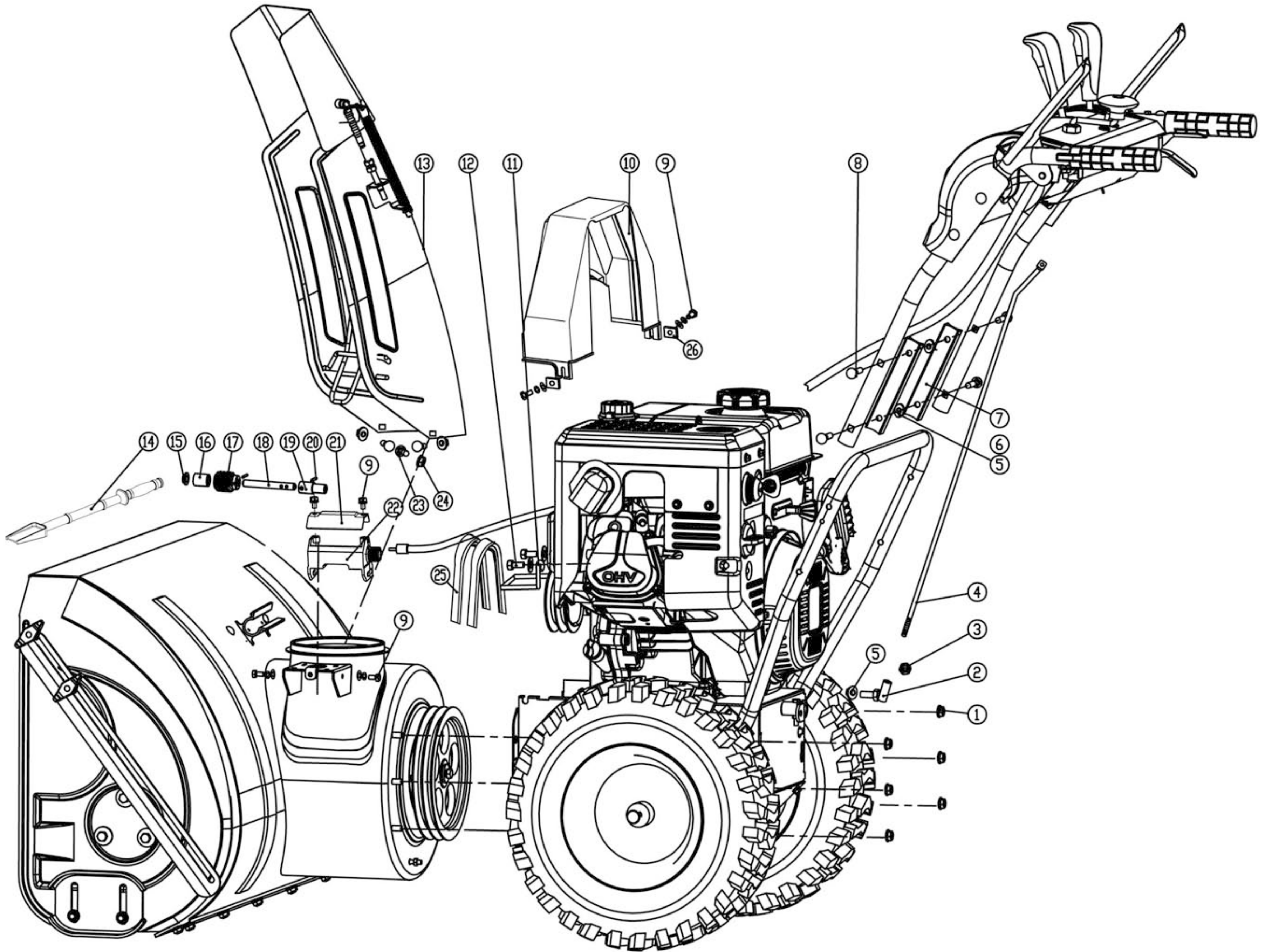


veGA

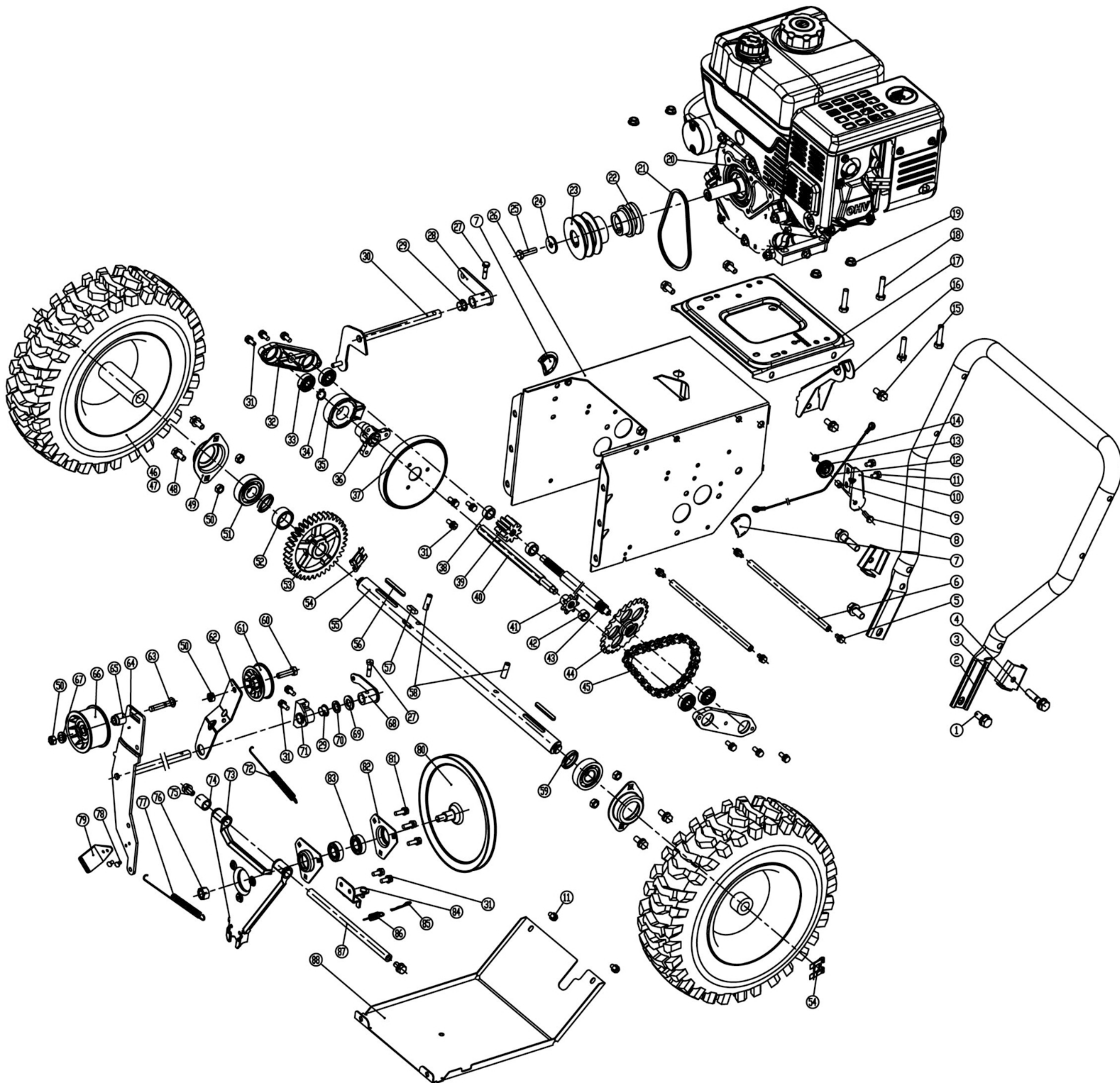
veGA 7066 ELS

F.V. 2020

NO.	Part No. Výrobce	Part No. V-GARDEN	English Description
1	KC30-03C-01R	507066KC30-03C-01R	upper handle, right
2	KC30-03-02	507066KC30-03-02	G Panel
3	GB/T899.1-2000	507066GB/T899.1-2000	nut M8
4	KC30-03-44R	507066KC30-03-44R	right handle pulley seat
5	GB/T12-1988	507066GB/T12-1988	bolt M8*40
6	GB/T5780-2000	507066GB/T5780-2000	bolt M6X20
7	KC21-02-2	507066KC21-02-2	small shaft sleeve
8	KC40-28	507066KC40-28	pulley
9	KCA28-04-03	507066KCA28-04-03	handle seat
10	GB/T12-1988	507066GB/T12-1988	bolt M8X45
11	KC30-03-49	507066KC30-03-49	long wire
12	GB/T12-1988	507066GB/T12-1988	bolt M8*35
13	S03*00493	507066S03*00493	B pin 1.5x25
14	KC30-03-09	507066KC30-03-09	walking lever
15	GB/T41-2000	507066GB/T41-2000	nut M10
16	KC30-03-2(M4)	507066KC30-03-2(M4)	gear handle
17	KC30-03-11GGP	507066KC30-03-11GGP	chute cap handle
18	KC30-03-45	507066KC30-03-45	handle spring
19	KC30-03-46	507066KC30-03-46	short welded connecting rod
20	KCA28-04-04	507066KCA28-04-04	left control handle
21	KC55-03-15	507066KC55-03-15	rubber washer
22	GB/T5287-2002	507066GB/T5287-2002	big washer 8
23	GB/T70.1-1985	507066GB/T70.1-1985	screw M8x150
24	KC30-03-47	507066KC30-03-47	stopper
25	KC30-03-50	507066KC30-03-50	plug
26	KC55-03-25A	507066KC55-03-25A	right cam
27	KC55-03-13A	507066KC55-03-13A	left cam
28	KC55-03-11	507066KC55-03-11	stop spring
29	GB/T70.1-1985	507066GB/T70.1-1985	screw M8x60
30	KC30-03-48	507066KC30-03-48	long welded connecting rod
31	GB/T12618-1990	507066GB/T12618-1990	rivet 4x10
32	KC90.04-04A	507066KC90.04-04A	heated handle
33	KCA28-04-10	507066KCA28-04-10	left handle
34	GB/T899.1-2000	507066GB/T899.1-2000	bolt M6
35	KC55.03-05-6	507066KC55.03-05-6	short sleeve
36	KC30-03-14	507066KC30-03-14	input wire
37	HY64	507066HY64	switch
38	KC30A-05-4	507066KC30A-05-4	chute cap cable
39	KCD26-06-2	507066KCD26-06-2	preset spring
40	KC30-03-44L	507066KC30-03-44L	left handle pulley seat
41	KC30-03-32	507066KC30-03-32	Rotator assembly
42	KC30-03-31	507066KC30-03-31	rubber washer
43	KC30-03-23	507066KC30-03-23	lower rotate lever seat
44	KC30-03C-01L	507066KC30-03C-01L	upper handle, left
45	KC30-03-22A	507066KC30-03-22A	Soft shaft assembly
46	GB/T818-2000	507066GB/T818-2000	screw M6x10
47	GB/T95-2002	507066GB/T95-2002	flat washer 6
48	KC30-03-24	507066KC30-03-24	panel
49	GB/T9074.17-1988	507066GB/T9074.17-19	bolt M6x16
50	KC30-03-26	507066KC30-03-26	cover
51	GB/T889.1-2000	507066GB/T889.1-2000	jam nut M6
52	KC21-03-15	507066KC21-03-15	long LED
53	GB/T846-1985	507066GB/T846-1985	screw ST3.5X16F

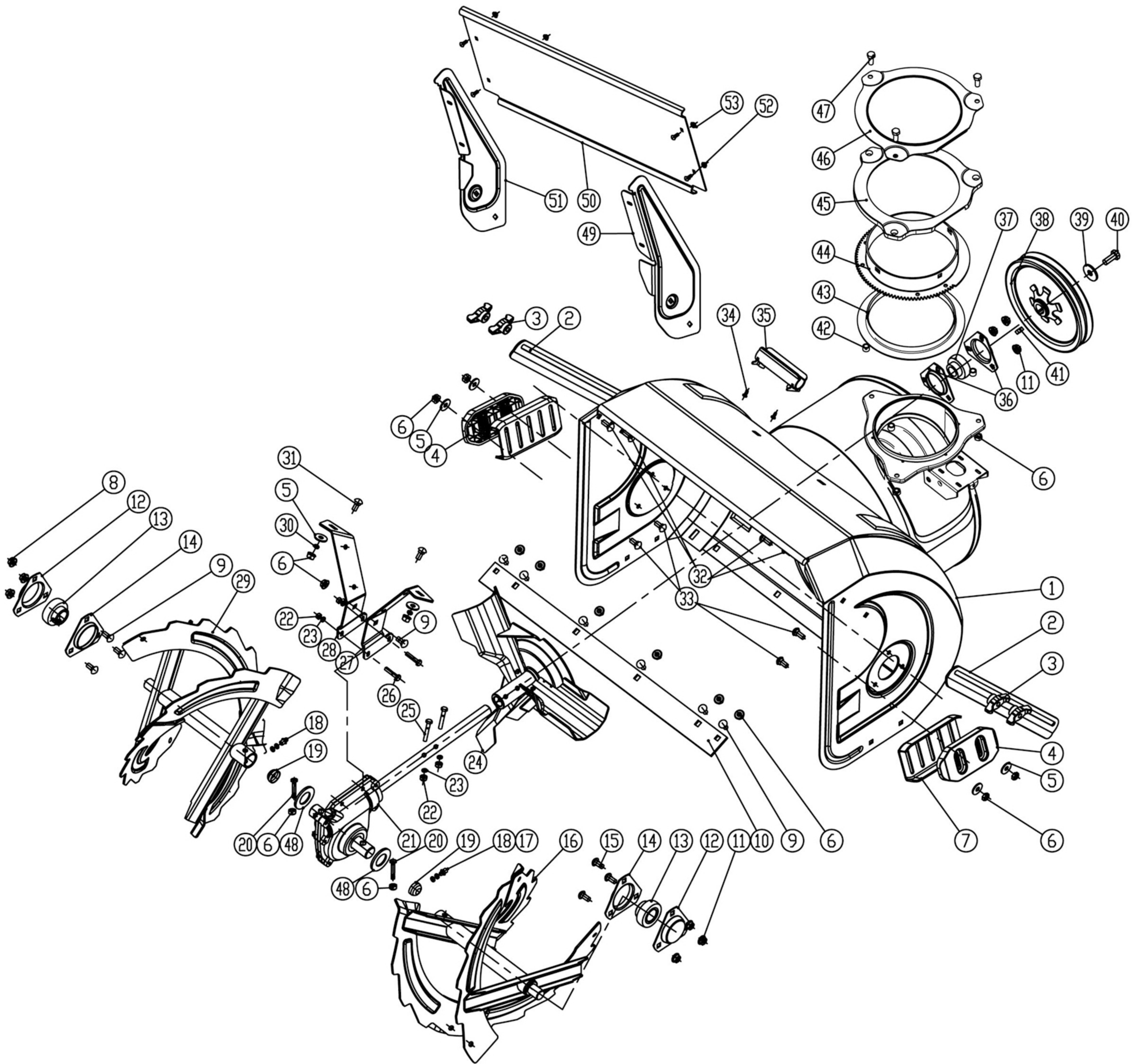


NO.	Part No. Výrobce	Part No. V-GARDEN	English Description
1	DIN6927	507066DIN6927	jam nut M8
2	KC55-10	507066KC55-10	right gimbal
3	GB/T 6171-2000	507066GB/T 6171-2000	nut M8x1
4	KC26-04A	507066KC26-04A	gear connector bar
5	GB/T 889.1-2000	507066GB/T 889.1-2000	nut M8
6	S07*00447	507066S07*00447	Concave gasket / 8 * 22 * 2
7	KC30-05A	507066KC30-05A	Armrest aluminum pad
8	GB/T12-1988	507066GB/T12-1988	bolts M8X55
9	GB/T9074.17-1994	507066GB/T9074.17-19	Hexagon head combination bolts M6X16
10	KC30A-04A	507066KC30A-04A	Belt cover
11	KC30A-07A	507066KC30A-07A	Belt gear
12	GB/T9074.17-1994	507066GB/T9074.17-19	Hexagon head bolts M8X20
13	KC42A-03A	507066KC42A-03A	chute assebmly
14	KC55-24	507066KC55-24	Snow shovel
15	KC55-15	507066KC55-15	Helical bracket washers
16	KC26-11	507066KC26-11	Long washers
17	KC26-14	507066KC26-14	Hollow worm
18	KC26-12	507066KC26-12	Mandrel
19	KC26-15	507066KC26-15	Lower connection tube
20	GB/T879-2000	507066GB/T879-2000	Elastic cylindrical pin 3 * 18
21	KC26-16	507066KC26-16	Rotating frame cover
22	KC26-10A	507066KC26-10A	Rotating frame
23	GB/T12-1988	507066GB/T12-1988	carriage bolt M8X16
24	GB/T889.1-2000	507066GB/T889.1-2000	hexagon lock nut M8
25	4LXP900	5070664LXP900	belt
26	KC30A-08	507066KC30A-08	Belt cover gasket

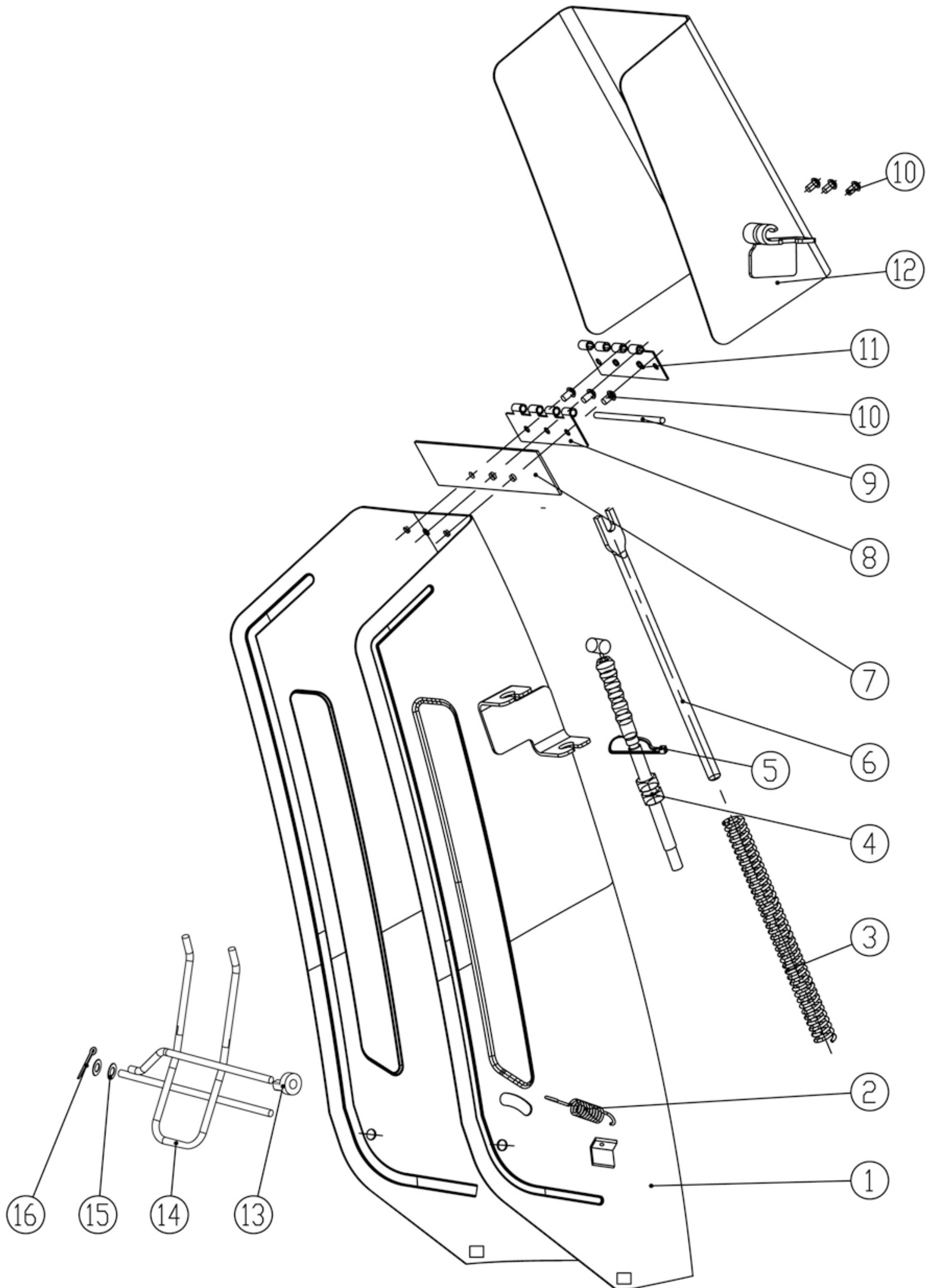


NO.	Part No. Výrobce	Part No. V-GARDEN	English Description
1	GB/T9074.17-1988	507066GB/T9074.17-19	bolt M10x25
2	KC90-02-21A	507066KC90-02-21A	handlebar
3	KC55-02-25A	507066KC55-02-25A	handlebar washer
4	GB/T9074.17-1988	507066GB/T9074.17-19	Bolt M10x45
5	GB/T9074.17-1988	507066GB/T9074.17-19	Bolt M6x12
6	KC30A-02-30	507066KC30A-02-30	strut
7	KC30A-02-01	507066KC30A-02-01	cover 1
8	GB/T5780-2000	507066GB/T5780-2000	bolt M6x20
9	KC21-02-2	507066KC21-02-2	small shaft sleeve
10	KCM24-02C-19	507066KCM24-02C-19	pulley seat
11	GB/T9074.17-1988	507066GB/T9074.17-19	bolt M6X12
12	KC21-02C-01	507066KC21-02C-01	short wire
13	KC40-28	507066KC40-28	pulley
14	GB/T899.1-2000	507066GB/T899.1-2000	jam nut M6
15	GB/T9074.17-1988	507066GB/T9074.17-19	bolt M8X20
16	KC30A-02-02	507066KC30A-02-02	connecting plate
17	KC21-02C-03	507066KC21-02C-03	engine seat
18	GB/T5780-2000	507066GB/T5780-2000	bolt M8X40
19	DIN6927	507066DIN6927	jam nut M8
20	SN420-A	507066SN420-A	engine
21	3LXP820	5070663LXP820	belt
22	KC30A-02-03	507066KC30A-02-03	drive wheel
23	KC90-02-16	507066KC90-02-16	belt pulley
24	GB/T5287-2002	507066GB/T5287-2002	super washer 8
25	GB/T5786-2000	507066GB/T5786-2000	bolt M8X1X30
26	KC30A-02-04A	507066KC30A-02-04A	transmission box assembly
27	GB/T9074.17-1988	507066GB/T9074.17-19	bolt M6X20
28	KC30-02-12	507066KC30-02-12	shift connector
29	KC90-02-07	507066KC90-02-07	plastic sleeve
30	KC55-02-05	507066KC55-02-05	shift fork
31	GB/T9074.17-1988	507066GB/T9074.17-19	bolt M6X16
32	KC30A-02-05	507066KC30A-02-05	bearing seat
33	GB/T276-1997	507066GB/T276-1997	ball bearing 6200
34	GB/T894.1-1986	507066GB/T894.1-1986	circlip 25
35	KC21-02-13	507066KC21-02-13	shift bearing
36	KC21-02-12B	507066KC21-02-12B	rubber wheel seat
37	KC21-02-11B	507066KC21-02-11B	rubber wheel
38	KC30A-02-06	507066KC30A-02-06	sleeve 15x20x15
39	KC30A-02-07	507066KC30A-02-07	small gear
40	KC30A-02-09	507066KC30A-02-09	hexagon shaft
41	KC30A-02-11	507066KC30A-02-11	small chain wheel
42	KC30A-02-12	507066KC30A-02-12	sleeve 12x15x8
43	KC30A-02-10-2	507066KC30A-02-10-2	transit shaft
44	KC30A-02-10-1	507066KC30A-02-10-1	chain wheel
45	GB/T1243-1997	507066GB/T1243-1997	chain 085-32
46	15X4.80-7	50706615X4.80-7	15X4.80-7 tyre
47	KC30A-02-13A	507066KC30A-02-13A	rim 7inch
48	GB/T9074.17-1988	507066GB/T9074.17-19	bolt M6x16
49	KC90-02-11	507066KC90-02-11	bearing seat
50	GB/T899.1-2000	507066GB/T899.1-2000	jam nut M8
51	GB/T276-1997	507066GB/T276-1997	ball bearing 6205
52	KC30A-02-14	507066KC30A-02-14	shaft sleeve 25x34x16

53	KC30B-02-02A	507066KC30B-02-02A	shaft sleeve
54	KC90-03-07	507066KC90-03-07	clip
55	KC30B-02-03	507066KC30B-02-03	pin 6x40
56	GB/T1566-2003	507066GB/T1566-2003	flat key 6x4x45
57	GB/T1095-2003	507066GB/T1095-2003	flat key 8x7x22
58	GB/T879.2-2000	507066GB/T879.2-2000	cylindrical pin 8x30
59	KC30A-02-21	507066KC30A-02-21	short shaft sleeve 25x34x6
60	GB/T5780-2000	507066GB/T5780-2000	bolt M8x30
61	KC55-02-21	507066KC55-02-21	small tension pulley
62	KC30A-02A-4	507066KC30A-02A-4	small tension plate
63	GB/T12-1988	507066GB/T12-1988	bolt M8X45
64	KC30A-02A-5	507066KC30A-02A-5	big tension combination
65	KC55-01-24	507066KC55-01-24	bushing
66	KC55-01-27	507066KC55-01-27	big tension pulley
67	KC55-01-26	507066KC55-01-26	pad
68	KC30A-02-31	507066KC30A-02-31	tension connector
69	GB/T848-2002	507066GB/T848-2002	flat washer;φ12
70	GB/T955-1987	507066GB/T955-1987	spring washer φ12
71	KC21-02C-09	507066KC21-02C-09	fixing block
72	KC90-02-15	507066KC90-02-15	spring
73	KC30A-02-23	507066KC30A-02-23	support for friction disc
74	KC30A-02-24	507066KC30A-02-24	sleeve 13x20x20
75	GB/T9074.17-1988	507066GB/T9074.17-19	bolt M8X16
76	GB/T899.1-2000	507066GB/T899.1-2000	jam nut M12
77	KC21-02C-12	507066KC21-02C-12	brake spring
78	GB/T 109-1986	507066GB/T 109-1986	rivet 4x12
79	KC30A-02-25	507066KC30A-02-25	brake block
80	KC21-02C-13	507066KC21-02C-13	friction disc
81	GB/T9074.17-1988	507066GB/T9074.17-19	bolt M6x20
82	KC90-02-12	507066KC90-02-12	delta bearing seat
83	GB/T276-1997	507066GB/T276-1997	ball bearing 6002
84	KC30A-02-27	507066KC30A-02-27	position part
85	S03X00493	507066S03X00493	B Pin;φ1.5X25
86	KC21-02C-17	507066KC21-02C-17	reset spring
87	KC90-02-31	507066KC90-02-31	strut
88	KC30A-02-26A	507066KC30A-02-26A	bottom plate for transmission box



NO.	Part No. Výrobce	Part No. V-GARDEN	English Description
1	KCA26-01-01A	507066KCA26-01-01A	housing assembly
2	KC26-01-06	507066KC26-01-06	support for housing
3	KC55-25	507066KC55-25	plastic nut
4	KC42-01-02	507066KC42-01-02	skid shoe
5	GB/T96.2-2002	507066GB/T96.2-2002	big washer 8
6	GB/T889.1-2000	507066GB/T889.1-2000	jam nut M8
7	KCA34-01-10	507066KCA34-01-10	skid shoe
8	GB/T6183.1-2000	507066GB/T6183.1-200	jam nut M8
9	GB/T12-1988	507066GB/T12-1988	Bolt M8x16
10	KC26-01-03	507066KC26-01-03	scraper bar
11	DIN6927	507066DIN6927	lock nut M8
12	KC42-01-05A	507066KC42-01-05A	bearing cover
13	GB/T7810-1995	507066GB/T7810-1995	bearing SB205
14	KC42-01-04A	507066KC42-01-04A	bearing seat
15	GB/T12-1988	507066GB/T12-1988	bolt M8x18
16	KCA26-01-02	507066KCA26-01-02	auger,right
17	GB/T95-2002	507066GB/T95-2002	flat washer 8
18	JB/T7940.1-1995	507066JB/T7940.1-199	oil cup M8x1
19	KCA34-01-03	507066KCA34-01-03	grease cap
20	KCA34-01-04	507066KCA34-01-04	safety pin
21	KCA34-01-05	507066KCA34-01-05	gear box
22	GB/T889.1-2000	507066GB/T889.1-2000	jam nut M6
23	GB/T93-1987	507066GB/T93-1987	spring washer 6
24	KCA34-01-06	507066KCA34-01-06	impeller
25	GB/T5782-2000	507066GB/T5782-2000	bolt M6x40
26	GB/T5782-2000	507066GB/T5782-2000	bolt M6x30
27	KCA34-01-07R	507066KCA34-01-07R	support right
28	KCA34-01-07L	507066KCA34-01-07L	support left
29	KCA26-01-03	507066KCA26-01-03	auger, left
30	GB/T93-1987	507066GB/T93-1987	spring washer 8
31	GB/T12-1988	507066GB/T12-1988	bolt M8x20
32	GB/T12-1988	507066GB/T12-1988	bolt M8x20
33	GB/T12-1988	507066GB/T12-1988	bolt M8x25
34	GB/T845-1985	507066GB/T845-1985	screw ST4.2x9.5-F
35	KC55-01-21	507066KC55-01-21	shovel support
36	KC42-01-20	507066KC42-01-20	bearing seat
37	SB204	507066SB204	bearing
38	KC42-01-22	507066KC42-01-22	impeller pulley
39	GB/T5287-2002	507066GB/T5287-2002	super washer 10
40	GB/T5780-2000	507066GB/T5780-2000	bolt M10x25
41	GB/T1095-2003	507066GB/T1095-2003	flat key A 6x20
42	KCA34-01-14	507066KCA34-01-14	pad
43	KCA34-01-15	507066KCA34-01-15	gear plate gasket
44	KCA34-01-16	507066KCA34-01-16	gear plate
45	KCA34-01-17	507066KCA34-01-17	gear plate cover
46	KCA34-01-18	507066KCA34-01-18	gear plate outer cover
47	GB/T5780-2000	507066GB/T5780-2000	bolt M8*20
48	KCA34-01-09	507066KCA34-01-09	plastic washer
49	KCA34-01-11	507066KCA34-01-11	higher panel support, right (optional)
50	KCA26-01-04	507066KCA26-01-04	higher panel(optional)
51	KCA34-01-13	507066KCA34-01-13	higher panel support, left (optional)
52	GB/T12-1988	507066GB/T12-1988	bolt M8x16 (optional)
53	GB/T6183.1-2000	507066GB/T6183.1-200	jam nut M8 (optional)



NO.	Part No. Výrobce	Part No. V-GARDEN	English Description
1	KC42A-03A-1A	507066KC42A-03A-1A	chute welded
2	KC55-03-17	507066KC55-03-17	handle spring
3	KC30A-05-2	507066KC30A-05-2	chute spring
4	KC30A-05-4	507066KC30A-05-4	chute wire
5			Nylon cable ties 2.5 * 150
6	KC30A-05-3	507066KC30A-05-3	Pole
7	KC42A-03-2	507066KC42A-03-2	big sealing pad
8	KC30A-05-6	507066KC30A-05-6	lower hinge
9	KC30A-05-7	507066KC30A-05-7	hinge shaft
10	GB/T12618-1990	507066GB/T12618-1990	rivet 4x10
11	KC30A-05-08	507066KC30A-05-08	upper hinge
12	KC42A-03-3A	507066KC42A-03-3A	deflector welded
13	KC21-23	507066KC21-23	washer
14	KC42A-03-4	507066KC42A-03-4	safety rod
15	KC55-26	507066KC55-26	plastic washer
16	GB/T91-2000	507066GB/T91-2000	split pin2*16